



SINGLE BOWL VESSEL VANITY

BEFORE YOU BEGIN

We recommend consulting a professional if you are unfamiliar with installing bathroom fixtures and plumbing. Signature Hardware accepts no liability for any damage to the floor, walls, plumbing, vanity cabinet, sink, counter top, or personal injury during installation.

Observe all local plumbing and building codes.

Unpack and inspect the vanity for damage. If any damage is found, contact our Customer Relations team at 1-866-855-2284.

GETTING STARTED

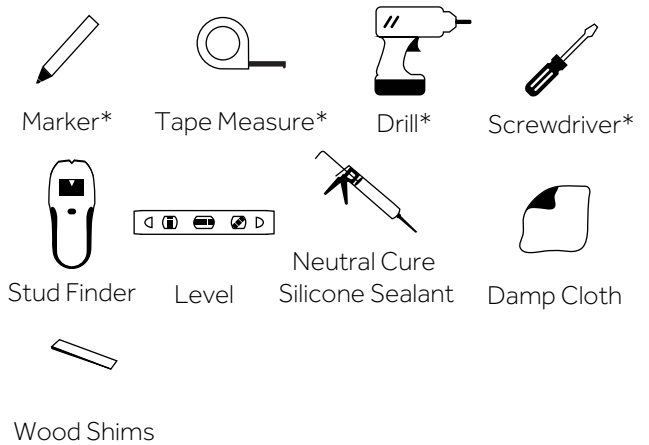
- Ensure that you have gathered all the required materials that are needed for the installation.
- Ensure that your bathroom floor is adequately supported, and the finished floor is level.
- Ensure that there is adequate support behind the bathroom wall before installation.

PLANNING

Use the vanity's PDF specification sheet as a reference when planning your layout. The specification sheet can be found and downloaded from the product page on our website.

Because the vanity specification measurements are approximate and slight variations may occur, we highly recommend performing any rough-in procedures with the vanity on site.

TOOLS AND MATERIALS:

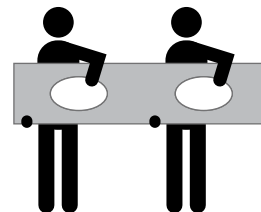
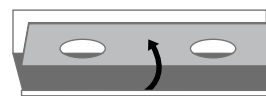
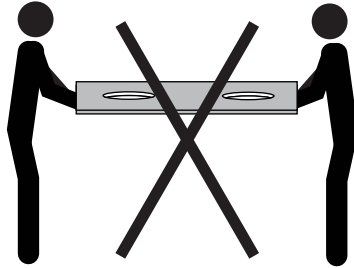


*not included

NEVER LIFT THE VANITY TOP FLAT



NEVER CARRY THE VANITY TOP FLAT

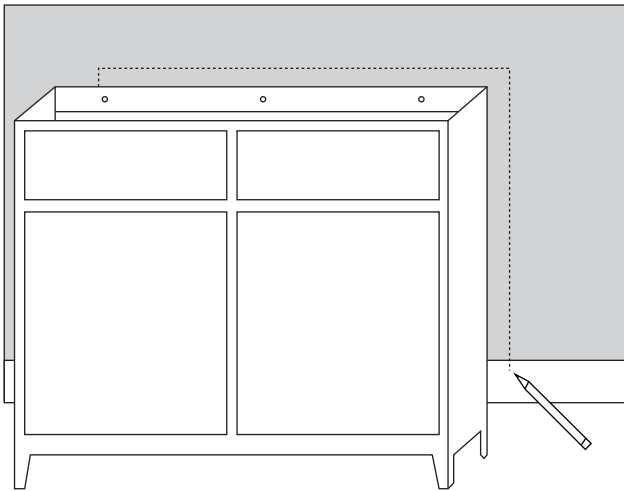




SINGLE BOWL VESSEL VANITY

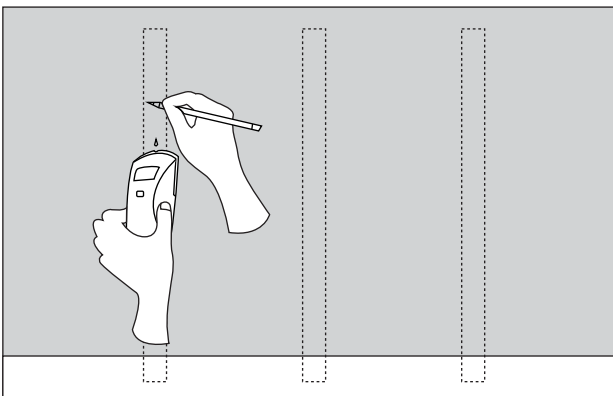
Step 1: Cabinet Installation

1. Determine the location where you would like to install your vanity.

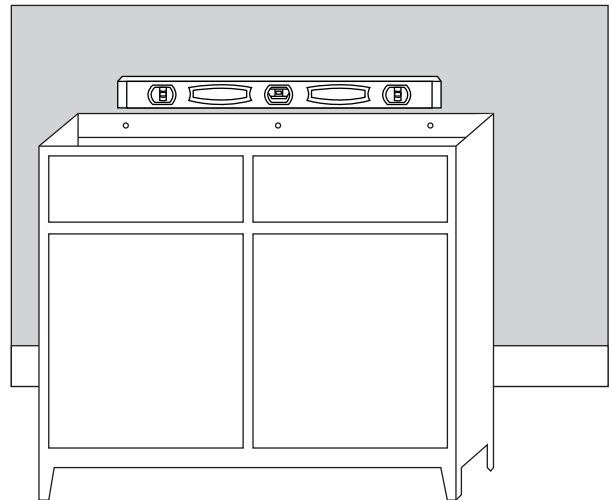


2. Locate and mark the location of the studs to which you will fasten your vanity. You can locate studs by using a stud finder.

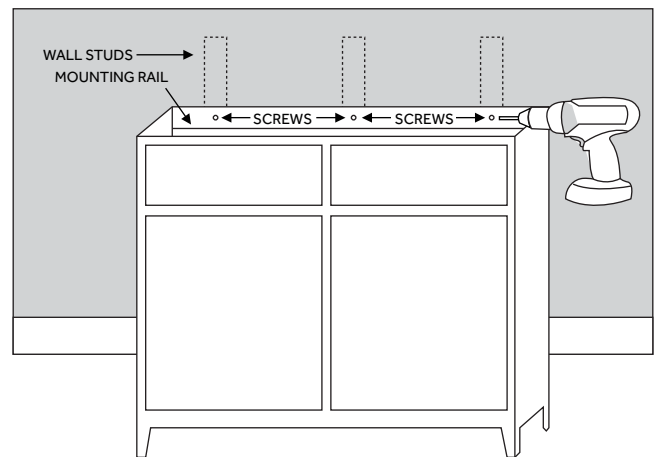
Important: If the studs in your bathroom do not line up to the mounting location for your vanity, wood blocking can be installed between the studs using standard 2 x 4's. If wood blocking needs to be installed behind the finished wall, we recommend consulting a professional if you are unfamiliar with this type of installation.



3. Place the vanity in the installation location. Verify that the vanity cabinet is level. If the vanity is not level, adjust the feet (if applicable) or use wooden shims to adjust as necessary.



4. Attach the vanity to the wall by screwing through the back of the vanity cabinet. Use the marked stud locations as a guideline. Proceed to Step 2 for attaching your counter top.

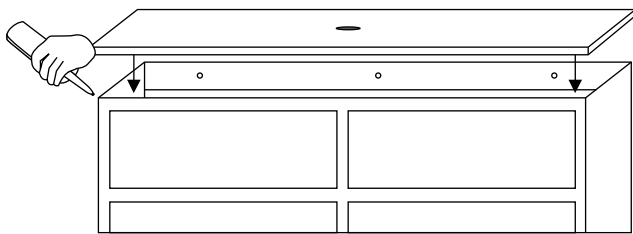




SINGLE BOWL VESSEL VANITY

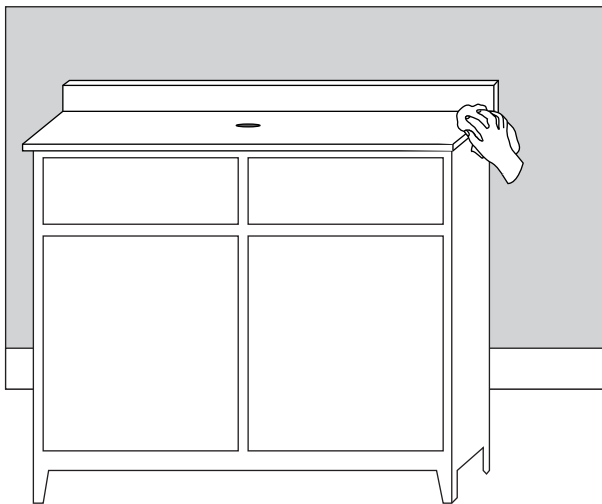
Step 2: Counter Top Installation

1. Apply a bead of silicone sealant around the top edge of the vanity cabinet.

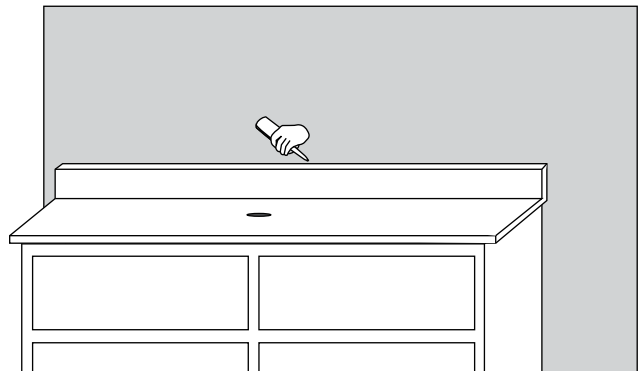


2. With assistance from another person, slowly and carefully set the counter top onto the vanity cabinet. Once positioned, press firmly into place. Wipe away any excess sealant using a damp cloth.

Important: The counter top is very fragile. Take caution when handling, and have someone assist you.



3. If you are installing a side-splash and/or back-splash, place a generous amount of silicone sealant on the back of it and press it into place against your bathroom wall. Fill any gaps that are left with silicone sealant. Wipe away any excess sealant with a damp cloth.



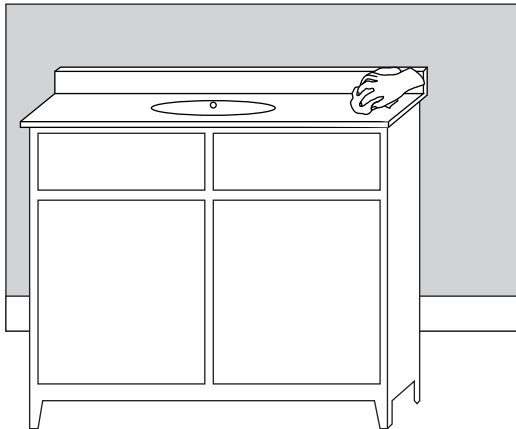
4. Allow the silicone sealant to dry, which could take up to 24 hours.





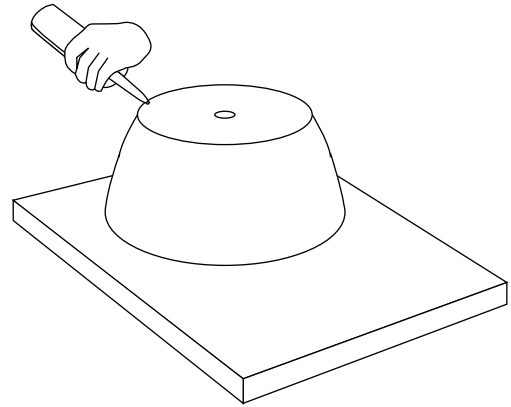
SINGLE BOWL VESSEL VANITY

5. For stone tops, such as marble and granite, it is recommended that you apply a high-quality sealer to protect from staining and discoloration. Stone sealer should be reapplied once or twice per year, depending upon usage.

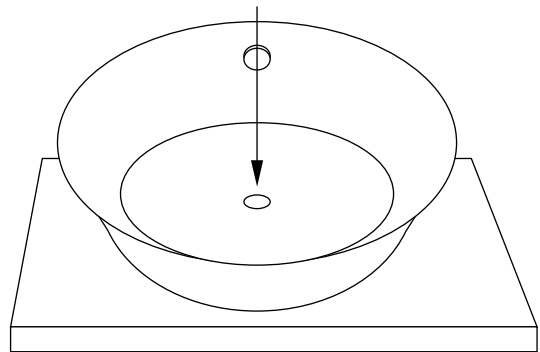


Step 3: Sink Installation

1. Carefully place your vessel sink upside down on the counter top. Apply a generous amount of silicone sealant to the base of the sink where it will rest on the counter.



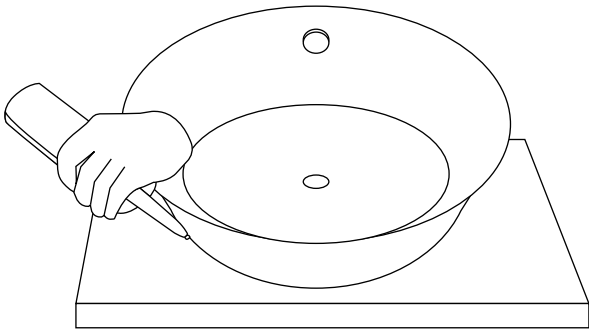
2. Turn the sink right-side-up and position over the 2" drain hole.



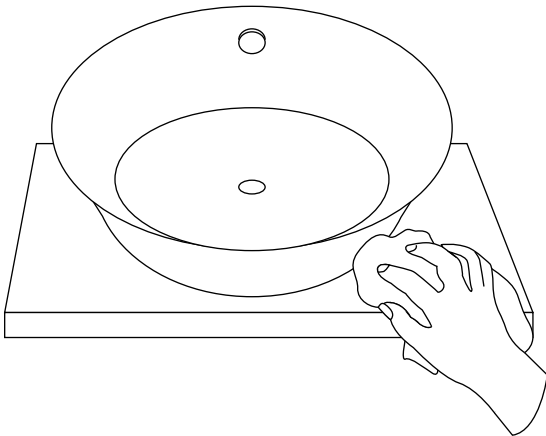


SINGLE BOWL VESSEL VANITY

3. If desired, apply a continuous bead of silicone sealant around the perimeter of the sink base for additional stability.



4. Remove any excess sealant to complete the sink installation.



5. Let the assembled vanity sit for 24 hours to allow all the silicone sealant to fully dry. Once dry, proceed to the installation of your faucet and drain assemblies.

Note: In some situations, it may be necessary to cut the inner cabinet shelves to allow space for your drain's P-traps.

