

Parts Breakdown

LUBEC

PFXE200CP COMMERCIAL SENSOR LAVATORY FAUCET



Model Numbers

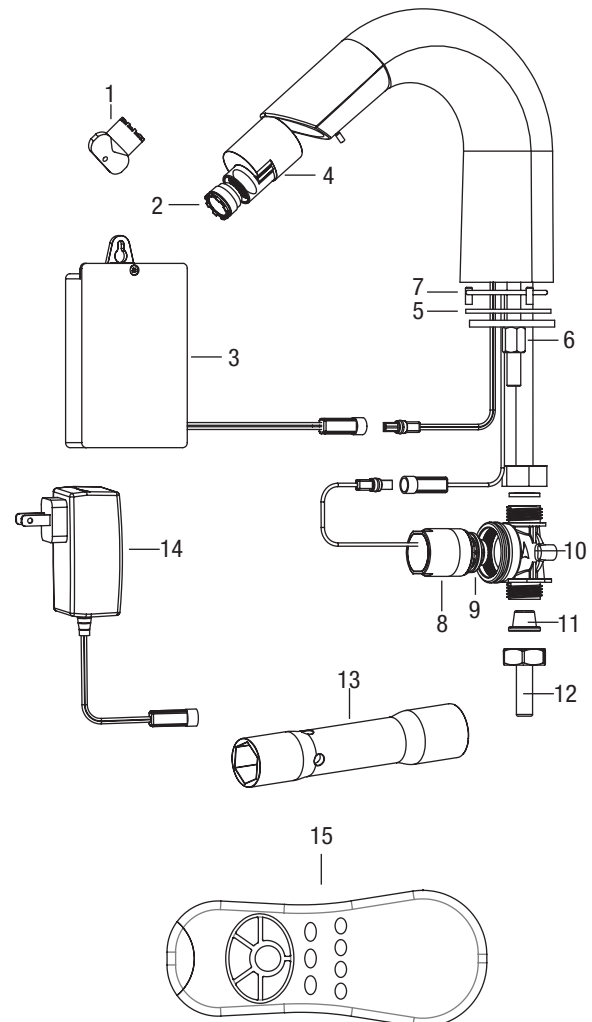
PFXE200CP Chrome

Parts

No.	Item Description	Part Number	Material Type
1	Aerator Service Key	OBPF505000009	POM
2	Aerator 0.5 GPM	OBPF508510039	Multiple
3	Battery Box	OBPF106530096	Multiple
4	C-Spout Sensor	OBPF108007001	Multiple
5	Disk	OBPF105090013	Stainless Steel
6	Nut	OBPF107099003	Brass
7	Seals and Screws Kit	OBPF1K07210169	Multiple
8	C-Spout Solenoid Valve	OBPF307230017	Multiple
9	Diaphragm	OBPF304500001	POM, Rubber
10	Solenoid Housing Kit	OBPF3K07231019	Multiple
11	Filter	OBPF108530013	AISI 304
12	Inlet Nipple	OBPF107025307	Brass
13	Solenoid Key	OBPF307590009	POM
14	Plug-in Transformer	OBPF106522115	Multiple
15	Remote Control	PFXEREMOTE	Multiple



PFXE200CP



For detailed warranty information, visit ferguson.com/proflo-faucet-warranty.