

Parts Breakdown

PFXE100CP

Kerna Commercial Sensor Lavatory Faucet

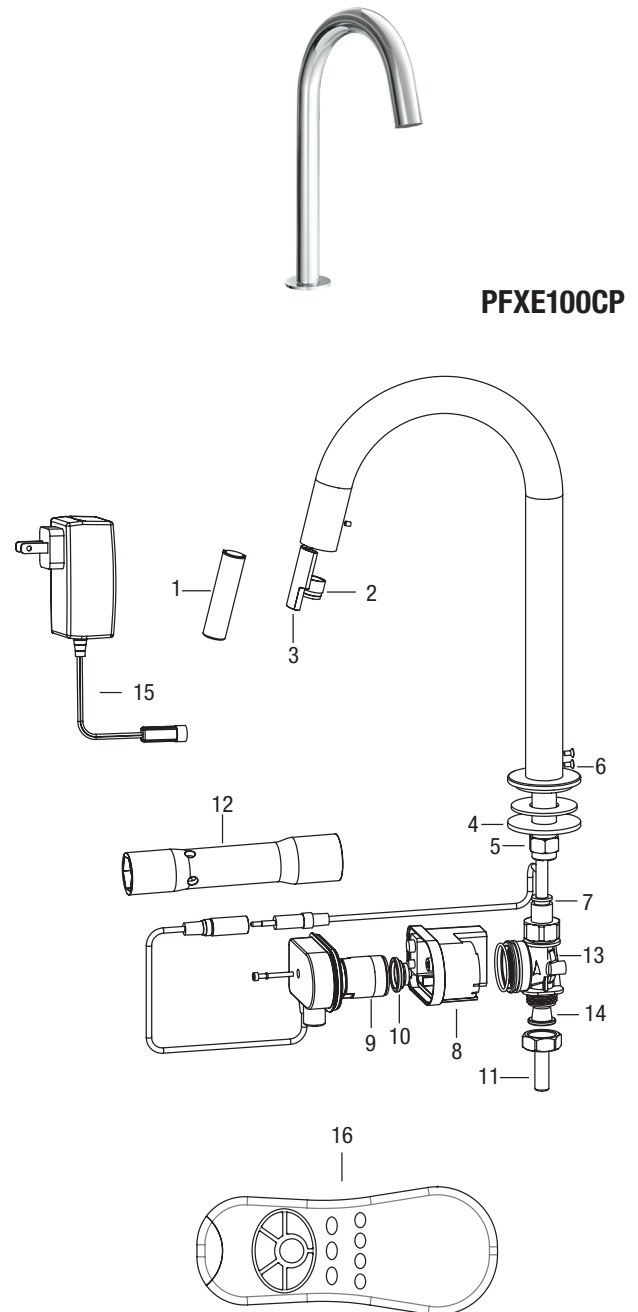


Model Numbers

PFXE100CP Chrome

Chart Information

No.	Item Description	Part Number	Material Type
1	Aerator Service Key	OBPF507590014	Stainless Steel
2	Aerator 0.5 GPM	OBPF508510064	Multiple
3	GSN Sensor	OBPF107220452	Multiple
4	Disk	OBPF105090013	Stainless Steel
5	Nut	OBPF107055055	Brass
6	Seals and Screws Kit	OBPF1K07210186	Multiple
7	Quick Connector	OBPF107190030	Brass, POM
8	Dual Power Input Box	OBPF106530042	Multiple
9	GSN Solenoid Valve	OBPF307230018	Multiple
10	Diaphragm	OBPF304500001	POM, Rubber
11	Inlet Nipple	OBPF107025307	Brass
12	Solenoid Key	OBPF307590009	POM
13	Solenoid Housing Kit	OBPF3K07231019	Multiple
14	Filter	OBPF108530013	AISI 304
15	9V Plug-in Transformer	OBPF106522116	Multiple
16	Remote Control	PFXEREMOTE	Multiple



Warranty and Codes

This product comes complete with installation, operating, care and maintenance instructions. This PROFLO faucet carries a Consumer and Industrial/Commercial 1-year limited warranty. This product meets ANSI: A112.18.1M. Compliant with lead content requirements of US Senate Bill S.3874

