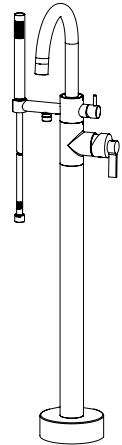


**921360C**

Floor Mounted Tub Filler

**FINISHES**

- 921360CPC Polished Chrome
- 921360CBN Brushed Nickel
- 921360CBG Brushed Gold
- 921360CBB Brushed Black



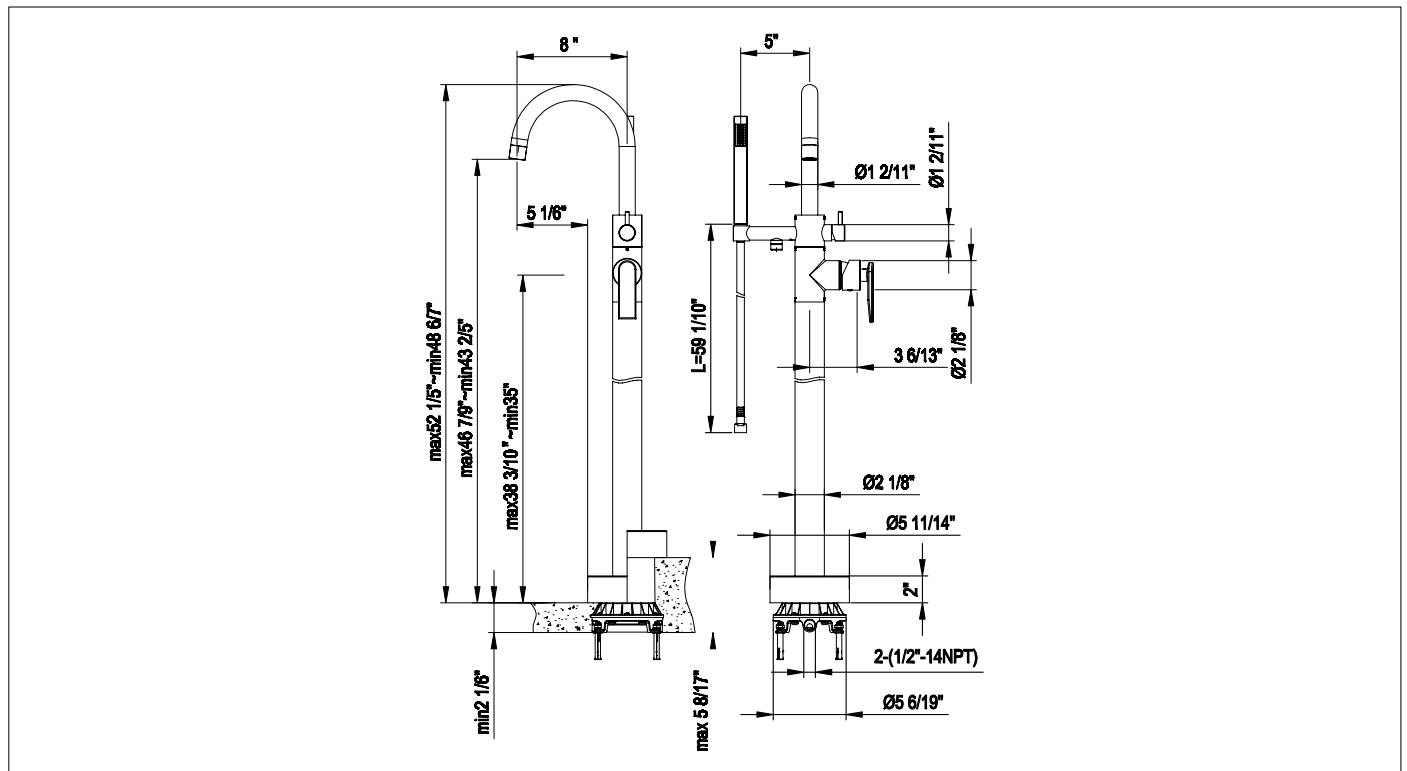
**STANDARDS**

- Compliant with ASME A112.18.1 - CSA B125.1
- ADA Compliant

**FEATURES**

- Solid Brass Construction
- Single Control Ceramic Disc Valve
- Flow rate 7.0 GPM @ 60 PSI
- Hand Shower 1.8 gpm @ 80 PSI
- Metal Pop-up assembly
- 1 hole installation. Optional 3-hole deckplate sold separately
- Step-By-Step Installation Instructions

**DIMENSIONS**



Project \_\_\_\_\_  
 Contractor \_\_\_\_\_