

Features

- Compression valve.
- Annealed vertical tube with supply flange.
- ½" NPT connection with flange.
- Four-arm handle stop.

Material

- Brass.

Recommended Products/Accessories

K-23723 Faucet cleaner



Codes/Standards

ASME A112.18.1/CSA B125.1

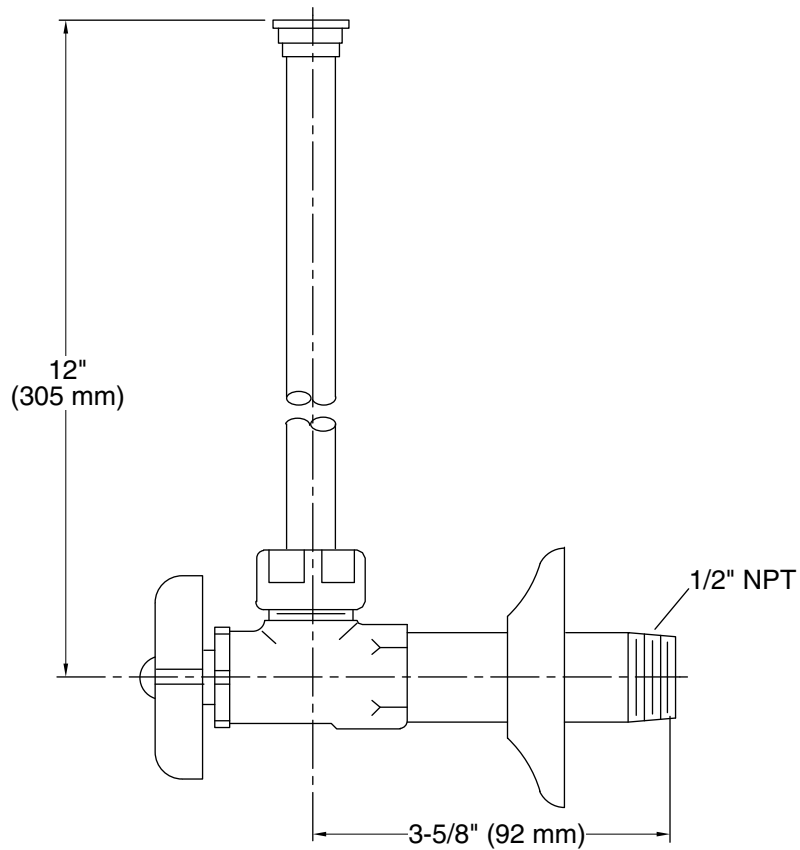
KOHLER® One-Year Limited Warranty

See website for detailed warranty information.

Available Colors/Finishes

Color tiles intended for reference only.

Color	Code	Description
	CP	Polished Chrome
	SN	Vibrant® Polished Nickel
	PB	Vibrant® Polished Brass
	BN	Vibrant® Brushed Nickel
	BV	Vibrant® Brushed Bronze
	2MB	Vibrant® Brushed Moderne Brass
	AU	Polished Gold



Technical Information

All product dimensions are nominal.

Notes

Install this product according to the installation guide.