

KOHLER[®] Faucets

Wall-mount handshower holder with supply elbow and check valve

Statement™

K-26310

Features

- For use with a handshower and hose (sold separately).
- Includes check valve for backflow prevention.
- Handshower holder fits most handshowers.
- Coordinates with other products in the Statement collection.

Material

- Durable metal construction.
- KOHLER finishes resist corrosion and tarnishing.

Installation

- Wall-mount.



Codes/Standards

None Applicable

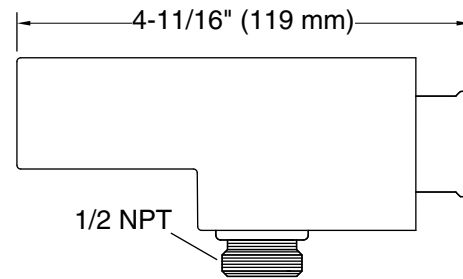
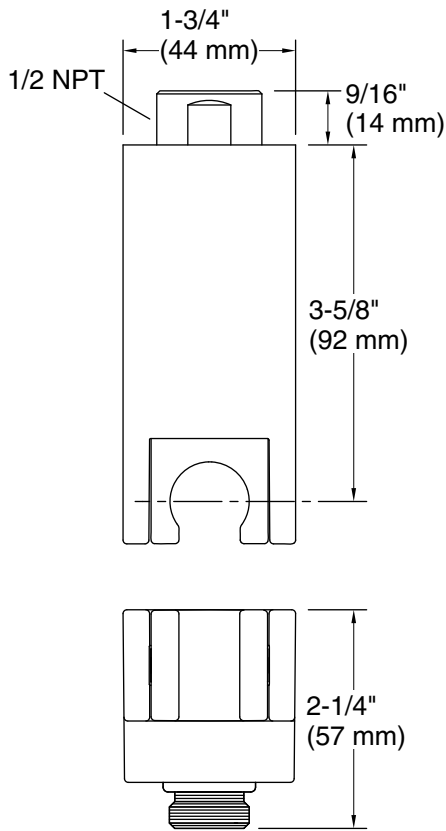
KOHLER® Faucet Lifetime Limited Warranty

See website for detailed warranty information.

Available Colors/Finishes

Color tiles intended for reference only.

Color	Code	Description
	CP	Polished Chrome
	BN	Vibrant® Brushed Nickel
	BL	Matte Black
	2MB	Vibrant® Brushed Moderne Brass



Technical Information

All product dimensions are nominal.

Drain included: No