

CASSADORE

**PFWSC2940**

**4" CENTERSET BATHROOM FAUCET**



**Product Features**

- Flow rate: 1.2 gpm (4.54 L/min) at 60 psi
- Metal lever handle
- Ceramic disc cartridges
- 50/50 metal pop-up drain assembly
- Requires 3-hole sink with 4" on-center

**Optional Parts**

**1.0 GPM Aerator**

Neoperl 443258010

**0.5 GPM Aerator**

Neoperl 443359010

**Thick Deck Extension Kit**

OBPF23644EXT

**Drain Lift Rod Extension**

PF351NA

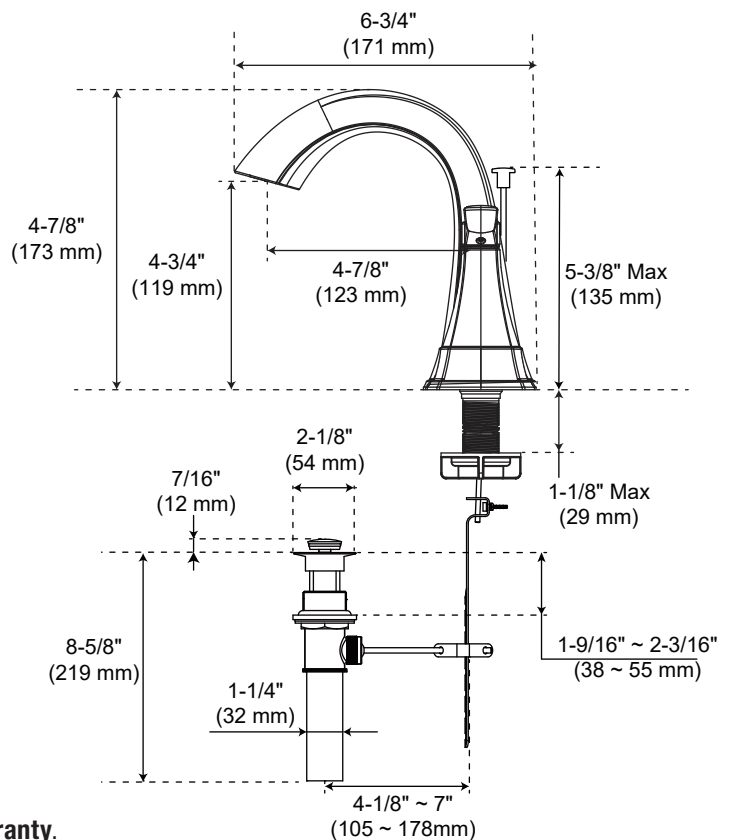
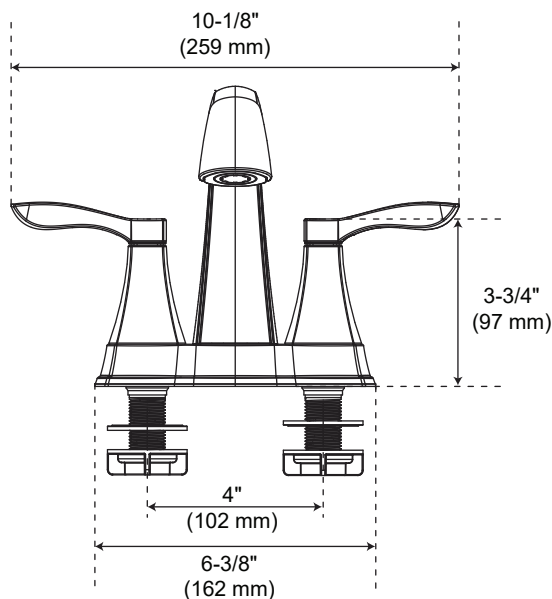


**Codes and Certifications**



- Certified to ASME A112.18.1 / CSA B125.1
- cUPC/IAPMO listed
- Handle ADA compliant
- EPA WaterSense approved
- NSF/ANSI/CAN 61: Q ≤1

**PFWSC2940**



For detailed warranty information, visit [ferguson.com/proflo-faucet-warranty](http://ferguson.com/proflo-faucet-warranty).