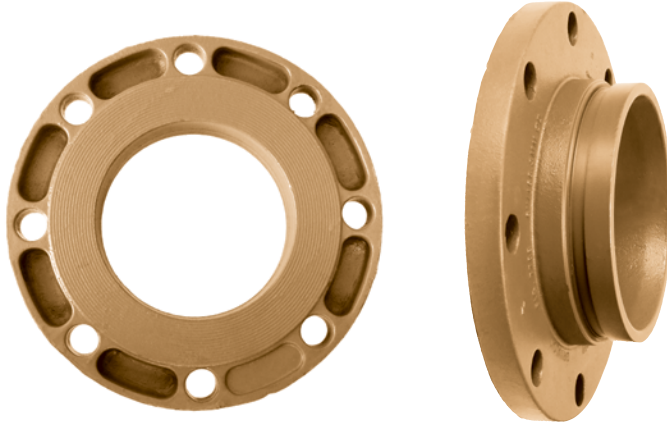


FIG. 7788

Gruvlok® Flange Adapter



The Gruvlok Fig. 7788 Flange Adapter allows for direct connection of Class 125 or Class 150 flanged components to a grooved piping system. The Gruvlok Flange Adapter provides an alternative method of connecting to flanged components than the traditional Fig. 7012 Gruvlok Flange. The Gruvlok Flange Adapter provides a raised serrated face flange connection with a shorter overall length than Anvil's Fig. 7084 Flange x Groove Nipple.

MATERIAL SPECIFICATIONS

HOUSING:

Ductile Iron conforming to ASTM A 536, Grade 65-45-12

COATINGS:

- Rust inhibiting paint – Color: ORANGE (standard), Red (optional)
- Hot Dipped Zinc Galvanized (optional)
- Other Colors Available (IE: RAL3000 and RAL9000)

For other coating requirements, contact an Anvil Representative for more information.

PROJECT INFORMATION		APPROVAL STAMP	
Project:		<input type="checkbox"/> Approved	
Address:		<input type="checkbox"/> Approved as noted	
Contractor:		<input type="checkbox"/> Not approved	
Engineer:		Remarks:	
Submittal Date:			
Notes 1:			
Notes 2:			

FIG. 7788

Gruvlok® Flange Adapter

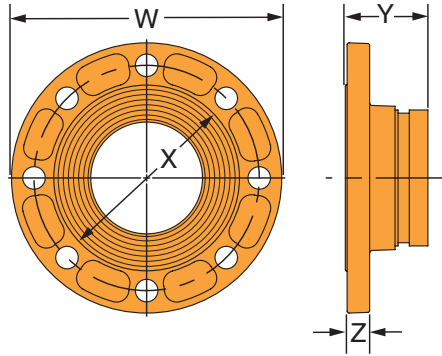


FIGURE 7788 GRUVLOK FLANGE ADAPTER

Nominal Size	O.D.	Max. Working Pressure	Dimensions				Mating Flange Bolts						Approx. Wt. Ea.
			W	X	Y	Z	Qty.	Size	Bolt Circle Diameter	Bolt Hole Diameter	Specified Torque		
											Min.	Max.	
In./DN(mm)	In./mm	PSI/bar	In./mm	In./mm	In./mm	In./mm	PN(10) (16)	In. (ISO)/mm	In./mm	In./mm	Ft.-Lbs/N-M		Lbs./kg
2	2.375	300	6	3 ⁵ / ₈	2 ¹ / ₂	1 ¹ / ₁₆	4	5/8 x 2 ³ / ₄	4 ³ / ₄	3/4	110	140	4.39
50	60.3	20.7	152.4	91.9	63.5	17.5	4	M16 x 70	120.7	19.1	149	190	2.0
2 ¹ / ₂	2.875	300	7	4 ¹ / ₈	2 ¹ / ₂	3/4	4	5/8 x 2 ³ / ₄	5 ¹ / ₂	3/4	110	140	6.17
65	73.0	20.7	177.8	104.6	63.5	19.1	4	M16 x 70	139.7	19.1	149	190	2.8
3	3.500	300	7 ¹ / ₂	5	2 ¹ / ₂	3/4	4	5/8 x 2 ³ / ₄	6	3/4	110	140	7.19
80	88.9	20.7	190.5	127.0	63.5	19.1	4	M16 x 70	152.4	19.1	149	190	3.3
4	4.500	300	9	6 ³ / ₁₆	2 ³ / ₄	3/4	8	5/8 x 2 ³ / ₄	7 ¹ / ₂	3/4	110	140	10.68
100	114.3	20.7	228.6	157.2	69.9	19.1	8	M16 x 70	190.5	19.1	149	190	4.9
5	5.563	300	10	7 ⁵ / ₁₆	2 ³ / ₄	7/8	8	3/4 x 2 ⁷ / ₈	8 ¹ / ₂	7/8	220	250	13.99
125	141.3	20.7	254.0	185.7	69.9	22.1	8	-	215.9	22.2	298	339	6.4
6	6.625	300	11	8 ¹ / ₂	2 ³ / ₄	7/8	8	3/4 x 3 ¹ / ₈	9 ¹ / ₂	7/8	220	250	16.47
150	168.3	20.7	279.4	215.9	69.9	22.1	8	M20 x 80	241.1	22.2	298	339	7.5
8*	8.625	300	13 ¹ / ₂	10 ⁵ / ₈	3	6 ¹ / ₆₄	8	3/4 x 3 ¹ / ₄	11 ³ / ₄	7/8	220	250	24.79
200	219.1	20.7	342.9	269.7	76.2	24.1	8	M20 x 80	298.5	22.2	298	339	11.3
10*	10.750	300	16	12 ³ / ₄	3 ³ / ₈	1	12	7/8 x 3 ¹ / ₂	14 ¹ / ₄	1	320	400	36.75
250	273.1	20.7	406.4	323.9	85.7	25.4	12	M20 x 90	362.0	25.4	439	542	16.7
12*	12.750	300	19	15	3 ¹ / ₂	1 ¹³ / ₆₄	12	7/8 x 3 ³ / ₄	17	1	320	400	56.31
300	323.9	20.7	482.6	381.0	88.9	30.5	12	-	431.8	25.4	439	542	25.6

NOTE: 8", 10" and 12" Flange Adapters have a machined raise face. 2" through 6" Flange Adapters have a cast raised face.