

BROAN®

USER AND INSTALLER MANUAL



VB0288



B110H65RT	B110H65RS
B130H65RT	B130H65RS
B130E65RT	B130E65RS
**B150H75NT*	**B150H75NS*
**B160H75RT	**B160H75RS
**B160H65RT	**B160H65RS
B160E65RT	B160E65RS
B150E75NT*	B150E75NS*
B160E75RT	B160E75RS

*Recirculation mode is not offered on these models.

REGISTER YOUR PRODUCT ONLINE AT:
www.broan-nutone.com/en-us/home/customer-service/product-registration
For additional information, visit www.Broan-NuTone.com

INSTALLER: READ THESE INSTRUCTIONS
SAVE THEM FOR USER
RESIDENTIAL USE ONLY



**THESE PRODUCTS EARNED THE ENERGY STAR® BY MEETING STRICT ENERGY EFFICIENCY GUIDELINES SET BY NATURAL RESOURCES CANADA AND THE US EPA. THEY MEET ENERGY STAR REQUIREMENTS ONLY WHEN USED IN CANADA.



23832 REV. 11

Please take note that this manual uses the following symbols to emphasize particular information:

⚠ WARNING

Identifies an instruction which, if not followed, might cause serious personal injuries including possibility of death.

CAUTION

Denotes an instruction which, if not followed, may severely damage the unit and/or its components.

NOTE: Indicates supplementary information needed to fully complete an instruction.

LIMITATION

For residential (domestic) installation only. Installation work and electrical wiring must be done by a qualified person in accordance with all applicable codes and standards, including fire-rated construction codes and standards.

⚠ WARNING

TO REDUCE THE RISK OF FIRE, ELECTRIC SHOCK, OR INJURY TO PERSON(S) OBSERVE THE FOLLOWING:

1. Use this unit only in the manner intended by the manufacturer.
2. Before servicing or cleaning this unit, disconnect power cord from electrical outlet.
3. This unit is not designed to provide combustion and/or dilution air for fuel-burning appliances.
4. When cutting or drilling into a wall or ceiling, do not damage electrical wiring and other hidden utilities.
5. Do not use this unit with any solid-state speed control device other than those specified in section 3.1.
6. This unit must be grounded. The power supply cord has a 3-prong grounding plug for your personal safety. It must be plugged into a mating 3-prong grounding receptacle, grounded in accordance with the national electrical code and local codes and ordinances. Do not remove the ground prong. Do not use an extension cord.
7. Do not install in a cooking area or connect directly to any appliances.
8. Do not use to exhaust hazardous or explosive materials and vapors.
9. When performing installation, servicing or cleaning this unit, it is recommended to wear safety glasses and gloves.
10. When applicable local regulation comprises more restrictive installation and/or certification requirements, the aforementioned requirements prevail on those of this document and the installer agrees to conform to these at his own expense.

CAUTION

1. To avoid prematurely clogged filters, turn the unit OFF during construction or renovation.
2. Please read specification label on product for further information and requirements.
3. Be sure to duct air outside – Do not intake/exhaust air into spaces within walls or ceiling or into attics, crawl spaces, or garage. Do not attempt to recover the exhaust air from a dryer or a range hood.
4. Intended for residential installation only in accordance with the requirements of NFPA 90B (for a unit installed in U.S.A.) or Part 9 of the National Building Code of Canada (for a unit installed in Canada).
5. Do not run any air ducts directly above or within 2 ft. of a furnace or its supply plenum, boiler, or other heat producing appliance. If a duct has to be connected to the furnace return plenum, it must be connected 10 ft. away from plenum connection to the furnace.
6. The ductwork is intended to be installed in compliance with all applicable local and national codes.
7. When leaving the house for a long period of time (more than two weeks), a responsible person should regularly check if the unit operates adequately.
8. If the ductwork passes through an unconditioned space (e.g.: attic), the unit must operate continuously except when performing maintenance and/or repair. Also, the ambient temperature of the house should never drop below 65°F (18°C).
9. At least once a year, the unit mechanical and electronic parts should be inspected by qualified service personnel.
10. Do not use your unit during construction or renovation of your house or when sanding drywall. Certain types of dust and vapors may damage your system.
11. Make sure at all times that the outside intake and exhaust hoods are free from any snow during the winter season. It is important to check your unit during a big snow storm, so it doesn't draw in any snow. If this is the case, please turn the unit OFF for a few hours.
12. Since the electronic control system of the unit uses a microprocessor, it may not operate correctly because of external noise or very short power failure. If this happens, unplug the unit and wait approximately 10 seconds. Then, plug the unit in again.
13. Do not make excessive use of fragrance appliances or chemicals since some may damage the unit components material.

TABLE OF CONTENTS

1. TECHNICAL DATA	4
1.1 AIR DISTRIBUTION (NORMAL OPERATION)	4
2. INSTALLATION	4
2.1 LOCATING AND MOUNTING THE UNIT	4
2.2 INSTALLING THE DUCTWORK AND THE REGISTERS.....	6
2.2.1 FULLY DUCTED SYSTEM (T-1) (THIS CONFIGURATION ALLOWS RECIRCULATION MODE TO OPERATE.).....	6
2.2.2 EXHAUST DUCTED SYSTEM (T-2) (THIS CONFIGURATION DOES NOT ALLOW RECIRCULATION MODE TO OPERATE.).....	6
2.2.3 SIMPLIFIED INSTALLATION (T-4) (THIS CONFIGURATION DOES NOT ALLOW RECIRCULATION MODE TO OPERATE.)	7
2.3 CONNECTING THE DRAIN (HRV ONLY).....	8
2.4 INSTALLING DUAL EXTERIOR HOOD USING TANDEM® TRANSITION KIT (OPTIONAL)	8
2.5 INSTALLING THE EXTERIOR HOODS	9
2.6 CONNECTING THE DUCTS TO THE UNIT.....	9
2.6.1 DUCTS CONNECTION	10
3. CONNECTIONS	11
3.1 ELECTRICAL CONNECTION TO OPTIONAL MAIN WALL CONTROL	11
3.1.1 ELECTRICAL CONNECTION TO SPEED, DEHUMIDISTAT OR AUTOMATIC OPTIONAL MAIN WALL CONTROL.....	11
3.1.2 ELECTRICAL CONNECTION TO ADVANCED OPTIONAL MAIN WALL CONTROL.....	11
3.2 ELECTRICAL CONNECTION TO OPTIONAL AUXILIARY WALL CONTROL.....	12
3.2.1 ELECTRICAL CONNECTION TO 20-40-60 OPTIONAL AUXILIARY WALL CONTROL.....	12
3.2.2 ELECTRICAL CONNECTION TO DRY CONTACT OPTIONAL AUXILIARY WALL CONTROL (E.G. CRANK TIMER).....	12
3.3 CONNECTION TO THE CENTRAL FORCED-AIR SYSTEM.....	13
3.3.1 UNIT OPERATION USING A DRY CONTACT CONNECTION.....	13
3.3.2 UNIT INTERCONNECTION WITH CENTRAL FORCED-AIR SYSTEM (R/C/G/Gf).....	13
3.3.3 SYNCHRONIZATION WITH CENTRAL FORCED-AIR SYSTEM FUNCTION.....	13
4. WIRING DIAGRAM	14
5. NAVIGATION ON LCD SCREEN	15
5.1 DISPLAY ON LCD SCREEN	15
5.2 UNIT FIRST BOOT.....	16
5.3 SETTINGS MODIFICATION.....	16
5.3.1 PROCEDURE TO MODIFY MIN CFM SETTING.....	16
5.3.2 PROCEDURE TO MODIFY MAX CFM SETTING.....	16
5.3.3 PROCEDURE TO MODIFY OPTIONS SETTING.....	16
5.4 FACTORY SETTINGS RESET	16
6. USING THIS UNIT	17
6.1 YOUR VENTILATION SYSTEM	17
6.2 INTEGRATED CONTROL	17
6.3 AHU MODE DISPLAY	17
7. SERVICE PARTS	18
8. INSTALLER'S TROUBLESHOOTING	20
9. MAINTENANCE	23
9.1 QUARTERLY	23
9.2 ANNUAL (AT FALL)	24
10. USER'S TROUBLESHOOTING	24
11. WARRANTY	25

Consumer Information

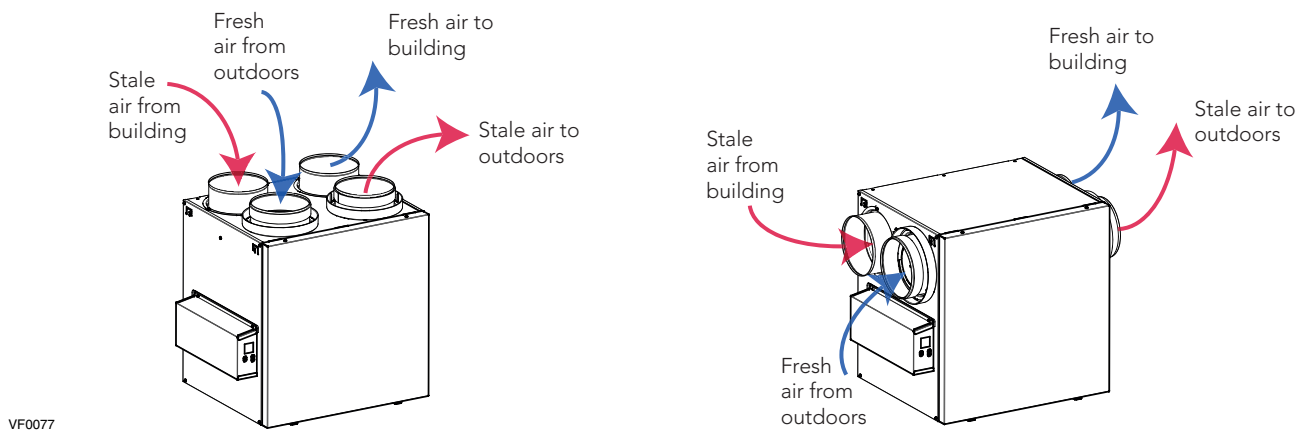
A. To ensure quiet operation of the H/ERV, each product model must be installed using sound attenuation techniques appropriate for the installation.

B. The way your heat/energy-recovery ventilator is installed can make a significant difference to the electrical energy you use. To minimize the electricity use of the heat/energy-recovery ventilator, a stand-alone fully ducted installation is recommended. If you choose a simplified installation that operates your furnace air handler for room-to-room ventilation, an electrically efficient furnace that has an electronically commutated (EC) variable speed blower motor will minimize your electrical energy consumption and operating cost.

C. Installation of a user-accessible control with your product model will improve comfort and may significantly reduce the product model's energy use.

1. TECHNICAL DATA

1.1 AIR DISTRIBUTION (NORMAL OPERATION)



NOTE: The dimensions, performance charts, defrost cycle tables and specifications are listed on the specification sheets of the unit. Visit our website at www.Broan-NuTone.com.

2. INSTALLATION

⚠ WARNING

The wearing of safety glasses and gloves is recommended when installing, maintaining or cleaning the unit to reduce the risk of injury that could be caused by the presence of thin metal and/or high moving parts.

2.1 LOCATING AND MOUNTING THE UNIT

Choose an appropriate location for the unit:

- Within an area of the house where the ambient temperature is kept between 50°F and 140°F;
- Away from living areas (dining room, living room, bedroom), if possible;
- So as to provide easy access to the interior cabinet for maintenance, and to the control panel on the side of the unit;
- Close to an exterior wall, so as to limit the length of the insulated flexible ducts to and from the unit;
- HRV units only: close to a drain. If no drain is close by, use a pail to collect run-off;
- Away from hot chimneys, electrical panel and other fire hazards;
- Within 6 feet of a power source (standard outlet).

2.1 LOCATING AND MOUNTING THE UNIT (CONT.)

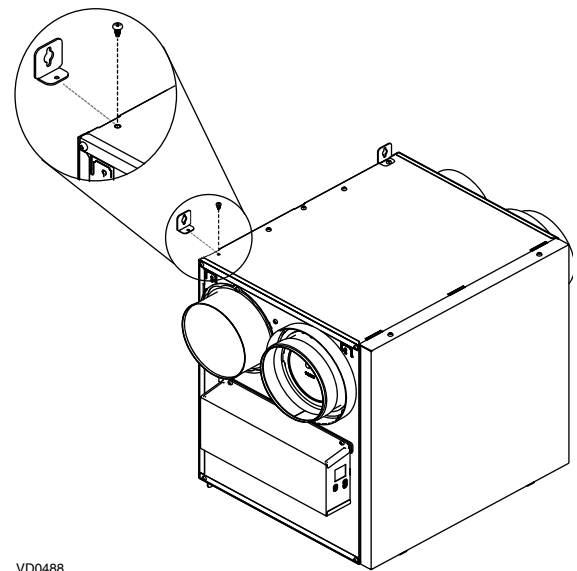
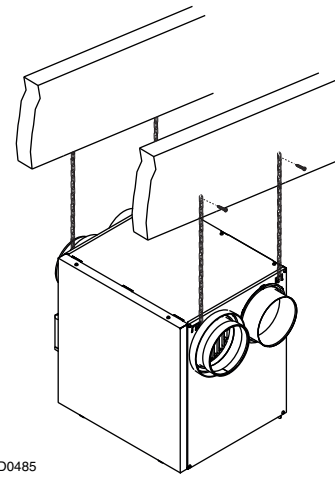
Suspended to the joists or trusts:

- Slightly bend the brackets on the unit to insert the provided chains.
- Hang the unit to the joists (or trusts) using the chains. Springs are not required.
- Always make sure that the unit is no more than 1/4" off level.

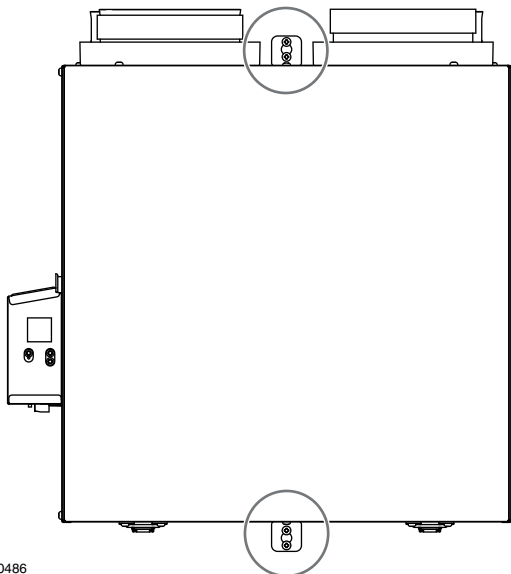
OR

Wall mounted:

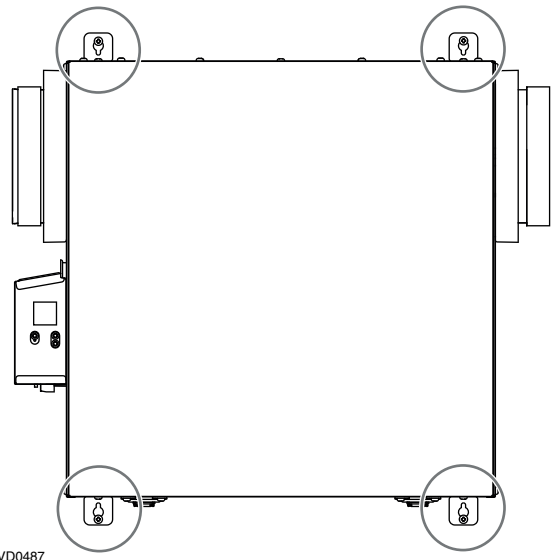
- Choose the appropriate location(s) for the mounting brackets (see illustration below) according to stud(s) position.
- Insert the provided brackets under the unit frame (see illustration hereafter).
- Fix the bracket using the screw no. 8 x 3/8".
- Using the 4 no. 8 x 1 1/2" screws provided, secure the unit to the wall making sure that the 4 screws engage into a stud.
- Always make sure that the unit is no more than 1/4" off level.



INSTALLATION WITH 2 BRACKETS



INSTALLATION WITH 4 BRACKETS



2.2 INSTALLING THE DUCTWORK AND THE REGISTERS

⚠ WARNING

Never install a stale air exhaust register in a room where there is a combustion device, such as a furnace, gas water heater, fireplace or any appliance or equipment that can generate gaseous contaminants, or pollutants. The negative pressure this could create in the room may impair proper evacuation of the gas or pollutants, which may have severe health consequences.

CAUTION

If ducts have to go through an unconditioned space (e.g.: attic), always use insulated ducts to prevent condensation formation inside and outside ducts, which could cause material damage and/or mold growth. Moreover, if fresh air to building duct and/or stale air from building duct goes/go through an unconditioned space, the unit must be set to operate continuously in cold conditions (below 10°C/50°F). Continuous air movement inside ducts will prevent condensation formation. The unit can be stopped temporarily for maintenance and/or repair purposes in such conditions.

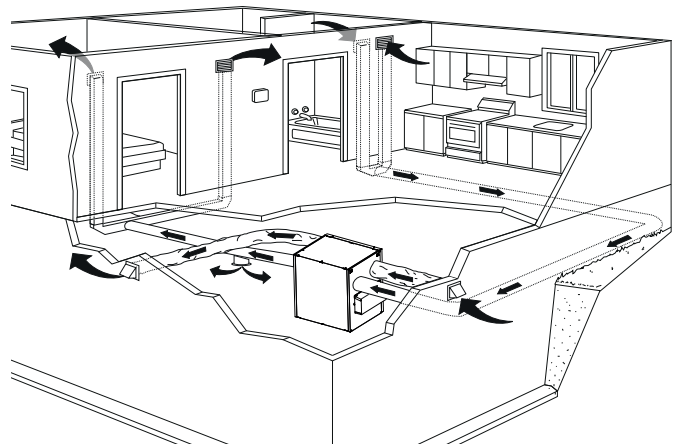
2.2.1 FULLY DUCTED SYSTEM (T-1) (THIS CONFIGURATION ALLOWS RECIRCULATION MODE TO OPERATE.)

STALE AIR FROM BUILDING:

- Install registers in areas where contaminants and humidity are produced: kitchen, bathrooms, laundry room, etc.
- Install registers on an interior wall, 6 to 12 inches away from the ceiling OR in the ceiling.
- Install the kitchen register at least 4 feet away from the range.
- Bathroom fans and range hoods can be used to better exhaust stale air.
- Homes with more than one level require at least one exhaust register at the highest level.

FRESH AIR TO BUILDING:

- Install registers in bedrooms, dining room, living room and basement.
- Install registers in the ceiling OR high on the walls with the airflow directed towards the ceiling.
- If a register must be installed in the floor, direct the airflow up the wall.



NOTE: For this type of configuration, the T-1 option must be selected on the LCD screen when auto-balancing the unit.

2.2.2 EXHAUST DUCTED SYSTEM (T-2) (THIS CONFIGURATION DOES NOT ALLOW RECIRCULATION MODE TO OPERATE.)

⚠ WARNING

Duct connection to the central forced-air system can be regulated by some codes and standards. It is your responsibility to consider and comply with your local requirements to avoid any non-compliance.

STALE AIR FROM BUILDING:

Same as for Fully Ducted System, described on point 2.2.1.

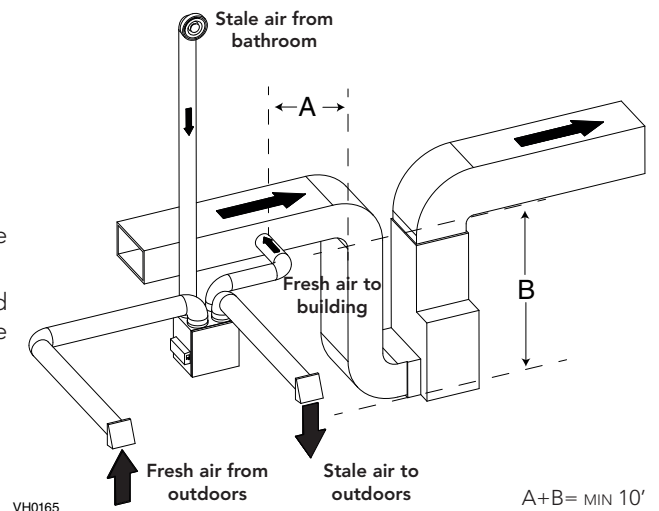
FRESH AIR TO BUILDING:

- Connect the fresh air distribution duct of the unit to the central forced-air system return duct at least 10 feet away from the central forced-air system (A+B)*.

* This 10-ft. distance applies only in areas where the outside temperature falls below the freezing point (32°F).

NOTE: The central forced-air system blower operation can be synchronized with the unit (see Section 3.3). It is recommended, but not essential that the central forced-air system blower runs when the unit is in operation.

NOTE: For this type of configuration, the T-2 option must be selected on the LCD screen when auto-balancing the unit.

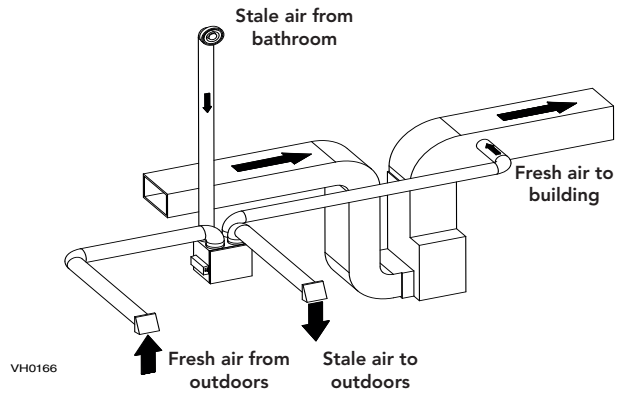


ALTERNATE INSTALLATION (T-3) (THIS CONFIGURATION DOES NOT ALLOW RECIRCULATION MODE TO OPERATE.)

Unit should be synchronized with central forced-air system operation to avoid condensation and mold growth in central forced-air system distribution ducting if cooling mode of central forced-air system is used.

CAUTION
This configuration is not recommended with high velocity central forced-air system. High pressures produced by these systems could affect unit proper operation and generate errors.

NOTE: For this type of configuration, the T-3 option must be selected on the LCD screen when auto-balancing the unit.



2.2.3 SIMPLIFIED INSTALLATION (T-4) (THIS CONFIGURATION DOES NOT ALLOW RECIRCULATION MODE TO OPERATE.)

CAUTION
The central forced-air system must be synchronized with the unit since fresh air evacuation and distribution come from the same section. The central forced-air system must operate to avoid fresh air to be directly drawn by the evacuation, which would reduce significantly fresh air supply to the building. See Section 3.3 for ducting.

WARNING
Duct connection to the central forced-air system can be regulated by some codes and standards. It is your responsibility to consider and comply with your local requirements to avoid any non-compliance.

Fresh air and exhaust air flow through the central forced-air system ducts, which simplifies the installation. The use of bathroom fans and a range hood is suggested to exhaust stale air.

STALE AIR FROM BUILDING:

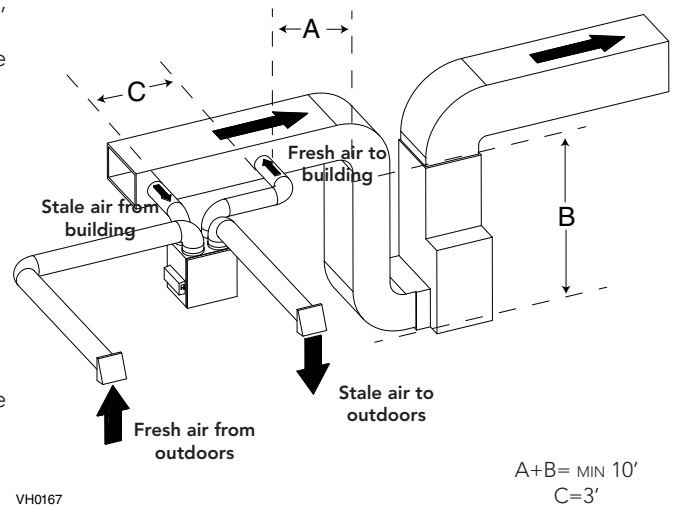
Connect the stale air intake port of the unit to the central forced-air system return duct at least 3 feet ahead of the fresh air distribution from the unit.

FRESH AIR TO BUILDING:

Connect the fresh air distribution duct of the unit to the central forced-air system return duct at least 10 feet away from the central forced-air system (A+B)*.

* This 10-ft. distance applies only in areas where the outside temperature falls below the freezing point (32°F).

NOTE: For this type of configuration, the T-4 option must be selected on the LCD screen when auto-balancing the unit.

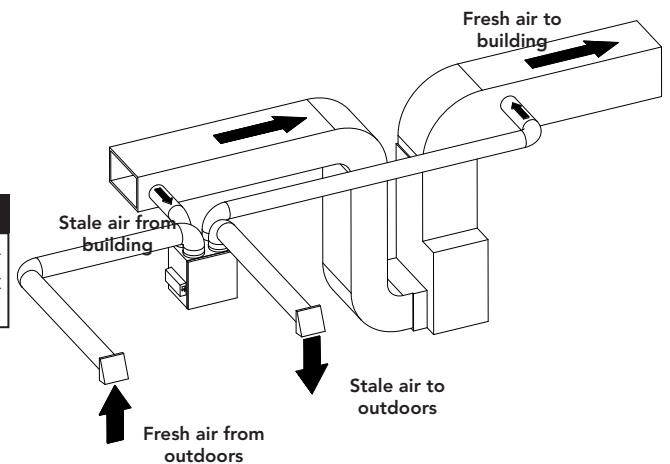


ALTERNATE INSTALLATION (T-5) (THIS CONFIGURATION DOES NOT ALLOW RECIRCULATION MODE TO OPERATE.)

Unit should be synchronized with central forced-air system operation to avoid condensation and mold growth in central forced-air system distribution ducting if cooling mode of central forced-air system is used.

CAUTION
This configuration is not recommended with high velocity central forced-air system. High pressures produced by these systems could affect unit proper operation and generate errors.

NOTE: For this type of configuration, the T-5 option must be selected on the LCD screen when auto-balancing the unit.

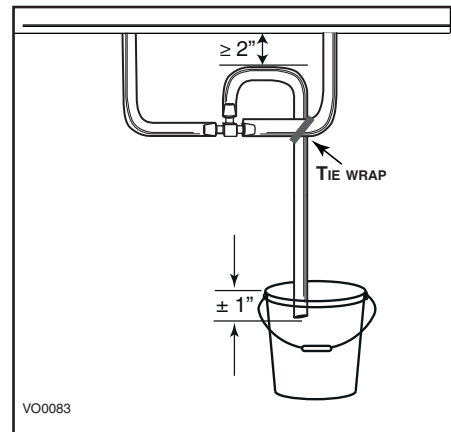
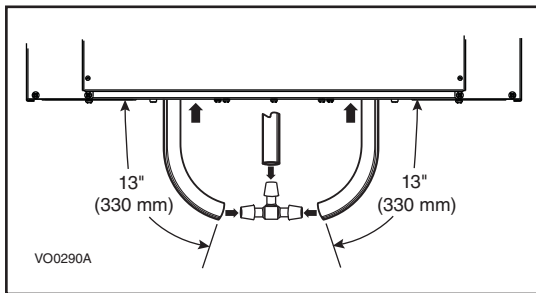


2.3 CONNECTING THE DRAIN (HRV ONLY)

CAUTION

Install the drain hose included and run it to a drain or a pail. This unit may generate a large amount of water in cooler weather. It is necessary to install the drain hose properly to prevent water damage and/or material damage.

- Cut the appropriate length of drain tubing (see illustrations below).
- Connect the tubing to the provided adaptor.
- Make a water trap loop in the tube to prevent the unit from drawing unpleasant odors from the drain source.
- Add water in the loop to prevent noise or hiss.
- Make sure there is a distance of at least 2" between the unit and the tubing loop (see illustration below).
- Using the tie wrap provided, attach the tubing as illustrated below.
- Run the tube to the floor drain or to an alternate drain pipe or pail.
- IMPORTANT: If using a pail to collect water, place the tube end approximately 1" inside the pail in order to prevent water from being drawn back up into the unit.

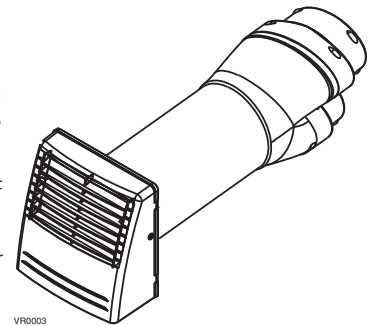


2.4 INSTALLING DUAL EXTERIOR HOOD USING TANDEM® TRANSITION KIT (OPTIONAL)

For units set at 110 CFM or less, a Tandem transition kit can be used instead of 2 exterior hoods; but take into account this device will generate approximately an additional 0.2 in w.g. static pressure depending on the installation.

The minimum joist opening needed to install the Tandem® transition is 9¾". The maximum height of the Tandem transition is 8¾".

To connect the insulated flexible ducts to the Tandem transition (*Exhaust air to outdoors and Fresh air from outdoors*), follow the instructions included with the Tandem transition kit (part no. VTYIK1).



2.5 INSTALLING THE EXTERIOR HOODS

To avoid cross-contamination:

- Keep at least 6 feet between both hoods OR use approved combined hoods model VTYIK1.
- Install hood(s) at least at 18 inches away from the ground OR depth of expected snow accumulation, whichever is greater.

⚠ WARNING

Make sure intake hood is at least 6 feet (1.8 m) away from any of the following:

- Dryer exhaust, high efficiency central forced-air system vent, central vacuum vent
- Gas meter exhaust, gas barbecue-grill
- Any exhaust from a combustion source
- Garbage bin and any other source of contamination.

Ignoring these recommendations could significantly degrade the quality of the incoming air which, in some cases, could result in health consequences.

In the event of a conflict between our conditions and local requirements, the latter will have priority.

Refer to illustration at right for proper connection method of the insulated ducts to the hoods. An "Anti-Gust Intake Hood" should be installed in regions where a lot of snow is expected to fall.

2.6 CONNECTING THE DUCTS TO THE UNIT

CAUTION

- If ducts have to go through an unconditioned space (e.g.: attic), always use insulated ducts to prevent condensation formation inside and outside ducts, which could cause material damage and/or mold growth.
- Do not use screws to connect the ducts or transitions to the ports so as not to interfere with ports inner dampers operation. A non-functioning damper could freeze the unit, which could cause damages.

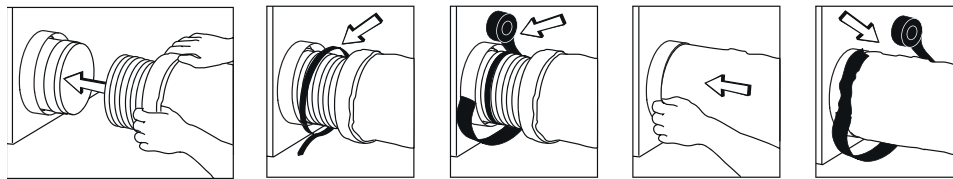
INSULATED FLEXIBLE DUCTS

Use the following procedure to connect the insulated flexible ducts to the ports of the unit (exhaust to outside and fresh air from outside).

1. Expose the flexible duct by pulling back the insulation, and place it **over** the inner port ring.
2. Attach the flexible duct to the port using a tie wrap.
3. Seal the joint using duct tape.
4. Pull the insulation and vapor barrier over the joint, tuck them **between the inner and outer rings** of the double collar and fasten them in place using duct tape.

CAUTION

The vapor barrier should remain intact and free of cracks or openings. An opening could produce condensation inside or outside duct, which could cause material damage and/or mold growth in the long run.



VJ0157

TRANSITIONING TO 6-IN. DUCTS (FOR 110, 130 AND 150 CFM UNITS ONLY)

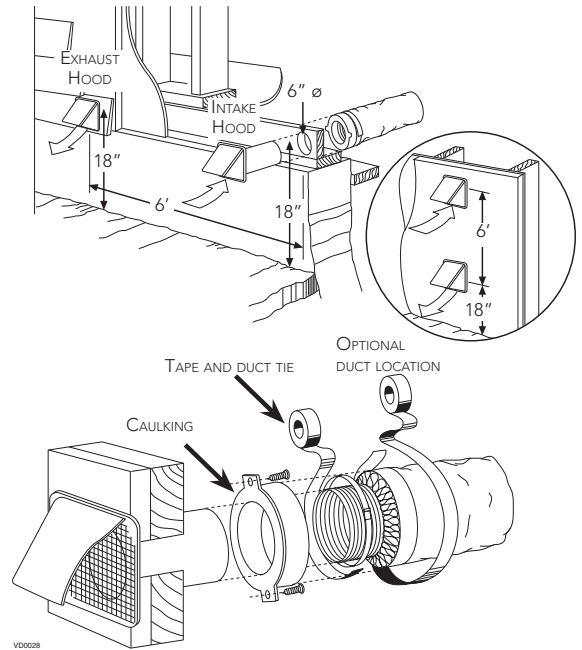
If using 6-in. ducts, install 5-in. to 6-in. transitions on the ports, and secure using duct tape only. If rigid ducting is used, install a 12-in. section of flexible duct between the transition and the rigid ducting (see above).

RIGID DUCTS

To prevent potential water leakage in cold side rigid ducting insulation, seal all rigid ducting joints with duct tape.

To avoid transmission of vibrations, always use a 12-inch section of flexible duct to connect rigid ducts to the unit. To connect insulated rigid ducts to the unit (cold side) using insulated flexible ducts, follow instructions in section 2.5. To connect regular rigid ducts (warm side) to the unit using non-insulated flexible ducts, use a tie wrap.

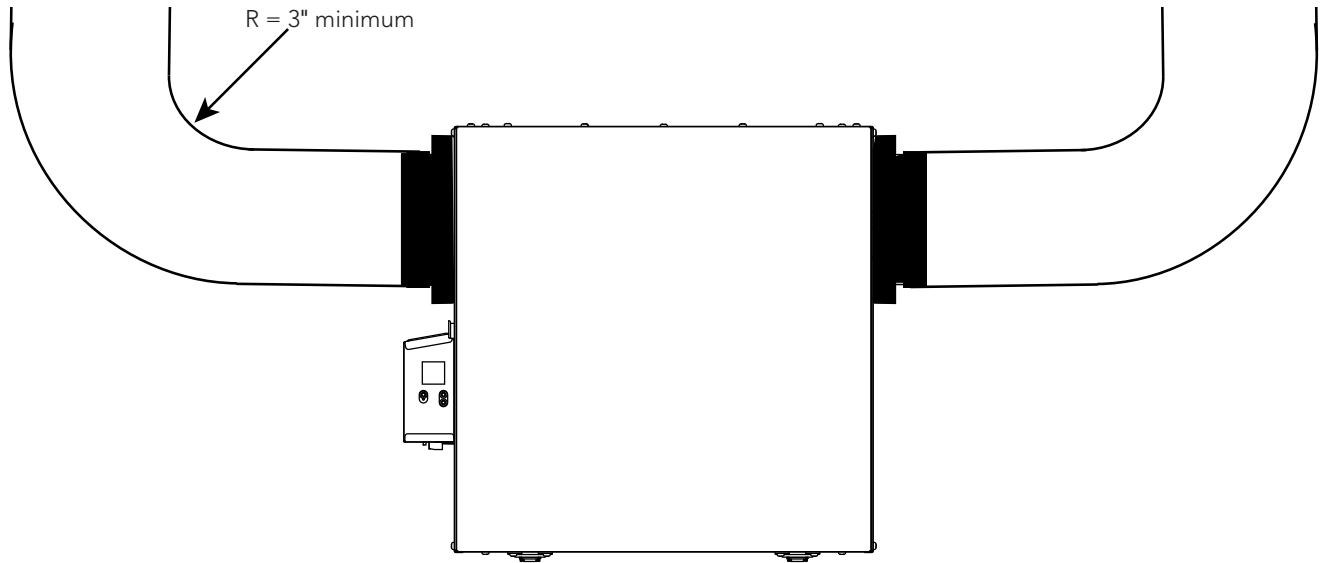
NOTE: It is recommended to use 6" ducting instead of 5" ducting for 150H75NT, 150H75NS, 150E75NT and 150E75NS units if required airflow is over 130 CFM. It will prevent having too high static pressure in the ducting.



2.6.1 DUCTS CONNECTION

IMPORTANT: Make sure to connect ducting as illustrated below to get airflows reading accuracy. Correct installation will also allow proper drainage of water that may accumulate in ducting.

CORRECT INSTALLATION



VD0489

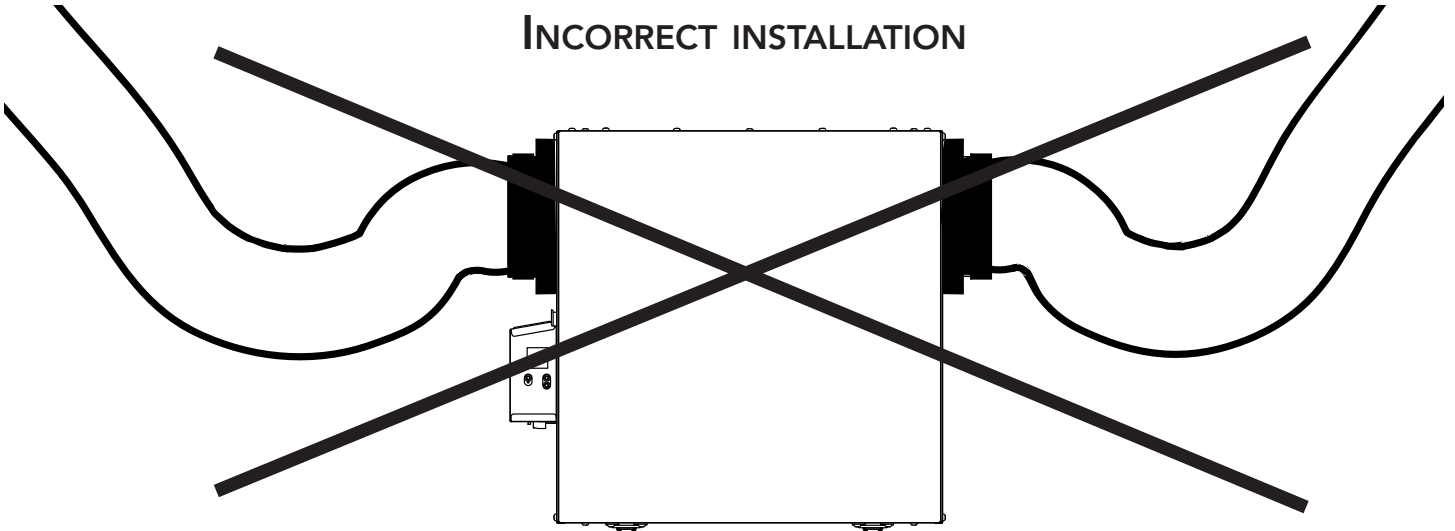
CAUTION

Ducting must not be too crushed. Otherwise, airflows reading accuracy will be affected.

CAUTION

Insulated ducts must have the same diameter as the ports to ensure proper drainage of water that may accumulate in ducts.

INCORRECT INSTALLATION



VD0490

NOTE: Route ducts as straight as possible, minimize the number of elbows and design and install ducts in accordance with ACCA's Manual D.

3. CONNECTIONS

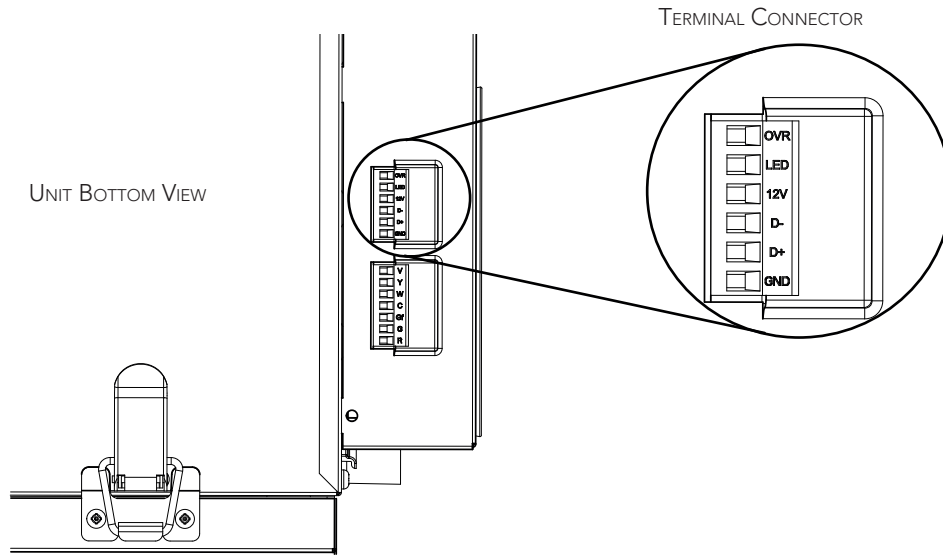
3.1 ELECTRICAL CONNECTION TO OPTIONAL MAIN WALL CONTROL

⚠ WARNING

Always disconnect the unit before making any connections. Failure to cut power could result in electrical shock or damage to the wall control or electronic module inside the unit.

CAUTION

Never install more than one optional main wall control per unit. Make sure that the wires do not short-circuit between themselves or by touching any other components on the wall control. Avoid poor wiring connections. To reduce the risk of electrical interference (noise), do not run wall control wiring next to control contactors or near light dimming circuits, electrical motors, dwelling/building power or lighting wiring or power distribution panel.

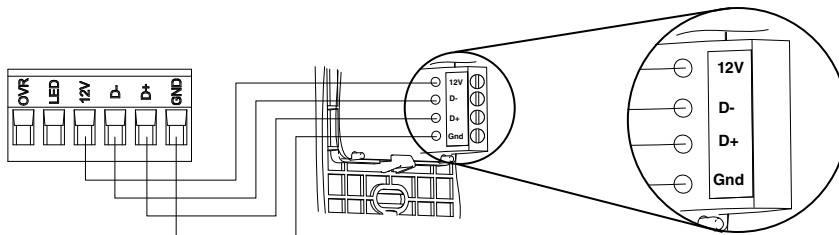


HD0491

Use the terminal connector included to perform the electrical connection for optional main wall control. Check if all wires are correctly inserted in their corresponding holes in the terminal connector. Use screws to fix wires in the terminal connector. Once the wall control connections have been made, insert the terminal connector in the electrical compartment.

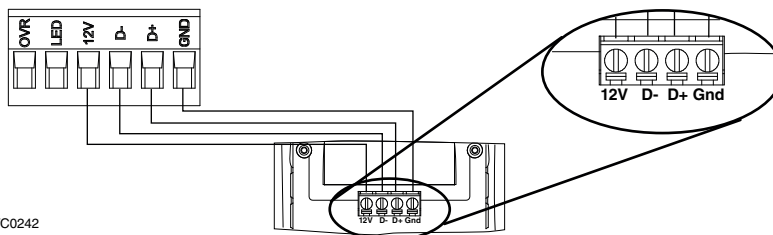
NOTE : For information about the operation of the wall control, refer to the corresponding Installation and User Guide, available at www.Broan-NuTone.com.

3.1.1 ELECTRICAL CONNECTION TO SPEED, DEHUMIDISTAT OR AUTOMATIC OPTIONAL MAIN WALL CONTROL



VC0241

3.1.2 ELECTRICAL CONNECTION TO ADVANCED OPTIONAL MAIN WALL CONTROL

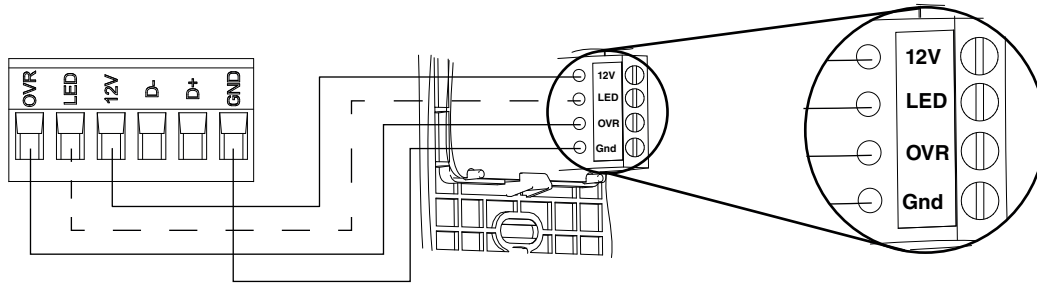


VC0242

3. CONNECTIONS (CONT'D)

3.2 ELECTRICAL CONNECTION TO OPTIONAL AUXILIARY WALL CONTROL

3.2.1 ELECTRICAL CONNECTION TO 20-40-60 OPTIONAL AUXILIARY WALL CONTROL

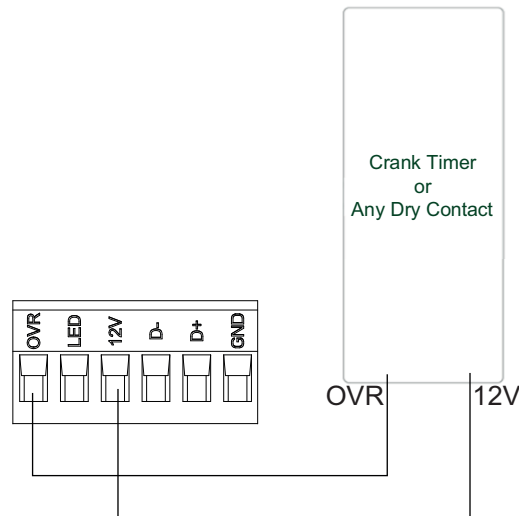


VC0243

When configuring OVR option on the LCD screen, choose among these 3 configurations: BAL (the unit remains balanced while providing maximum airflow), PER (the unit is slightly unbalanced since the distribution motor is in MAX speed while allowing maximum exhaust ventilation) and DIS (the unit is unbalanced since air distribution is constant despite a higher need in exhaust ventilation).

NOTE : The auxiliary wall control can be used with a 3-wire connection by removing the LED signals. This optional wiring will not allow an installation with more than 1 auxiliary wall control to properly synchronize their LEDs on an event requested from a peer. Only the auxiliary wall control having requested the timer event will have the LEDs updated accordingly.

3.2.2 ELECTRICAL CONNECTION TO DRY CONTACT OPTIONAL AUXILIARY WALL CONTROL (E.G. CRANK TIMER)



VC0256

3.3 CONNECTION TO THE CENTRAL FORCED-AIR SYSTEM

⚠ WARNING

Never connect a 120-volt AC circuit to the terminals of the central forced-air system interlock (standard wiring). Only use the low voltage class 2 circuit of the central forced-air system blower control. The unit is designed for low voltages only. Connecting the unit on 120-volt circuit would damage it instantly.

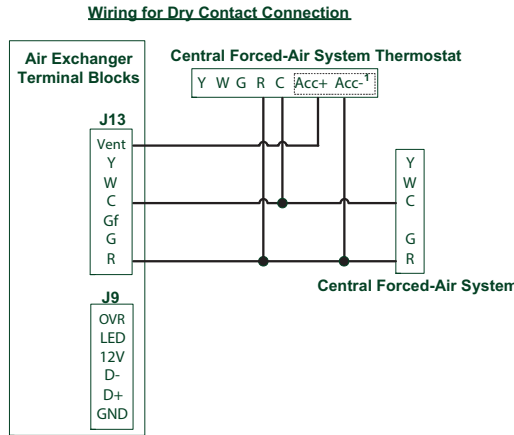
3.3.1 UNIT OPERATION USING A DRY CONTACT CONNECTION

This unit can be controlled by any dry contact connection such as the thermostat equipped with an optional ventilation output.

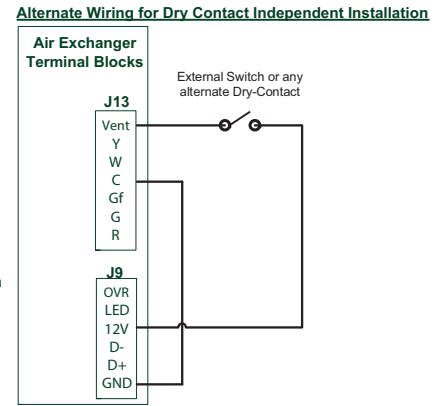
Once wired, unit will toggle between the Standby mode when contact is opened and the selected mode when contact is closed. Choose among these 4 configurations: minimum (unit operating in MIN speed), intermittent (unit operating in MIN speed 20 min/hr then as per INT configuration selection for 40 min), auto* (unit operating according to outdoor temperature) and maximum (unit operating in MAX speed) in DRY option on the LCD screen when the VENT contact is activated. Refer to section 5 for more details.

* In auto mode, the unit will operate as follows:

- Less than -25°C = 10 min/hr
- -25°C to -7°C = 20 min/hr
- -7°C to 10°C = 40 min/hr
- 10°C to 25°C = MIN speed
- 25°C to 28°C = 30 min/hr
- 28°C to 33°C = 20 min/hr
- Above 33°C = 10 min/hr



1 - External switch or any dry contact can be used to activate vent input if not available on the thermostat. Some thermostats offer a single wire 24VAC output for accessory ventilation. It can be directly connected to vent input and therefore the Acc- / R connection is not required.

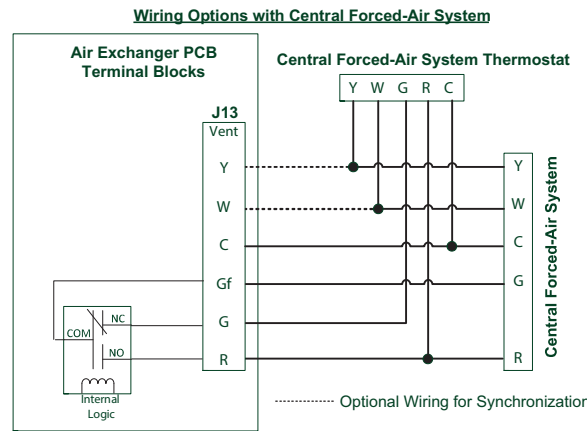


Note : Synchronization with a central forced-air system with W and Y is not available with this configuration.

NOTE : This dry contact option will override the main wall control so we do not recommend the use of a wall control with this type of connection.

NOTE : Following ducting installation configuration and temperature conditions, it may be necessary for the unit to operate continuously. Refer to section 2.2 for more details.

3.3.2 UNIT INTERCONNECTION WITH CENTRAL FORCED-AIR SYSTEM (R/C/G/GF)



These connections must be done if you want the unit to force the central forced-air system blower operation when ventilating (refer to solid lines in above diagram).

NOTE : These connections are required for installation configuration T-4. Refer to section 2.2 for more details.

3.3.3 SYNCHRONIZATION WITH CENTRAL FORCED-AIR SYSTEM FUNCTION

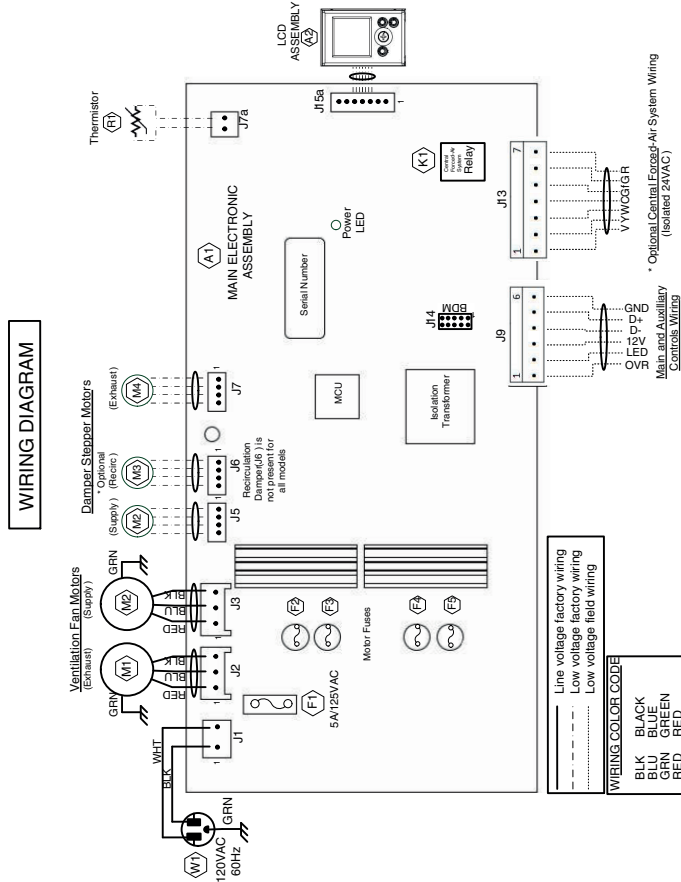
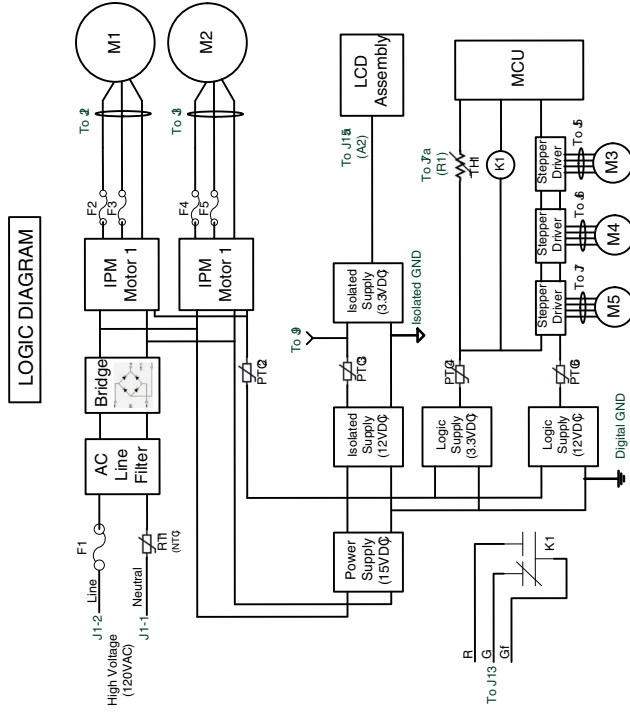
The Virtuo technology allows synchronizing the unit operation with the central forced-air system operating time. It prevents unnecessary central forced-air system operating time while providing a better air distribution.

To use this function, W and Y connections must be added to R and C connections to inform the unit that the central forced-air system is running (refer to dotted lines in above diagram).

4. WIRING DIAGRAM

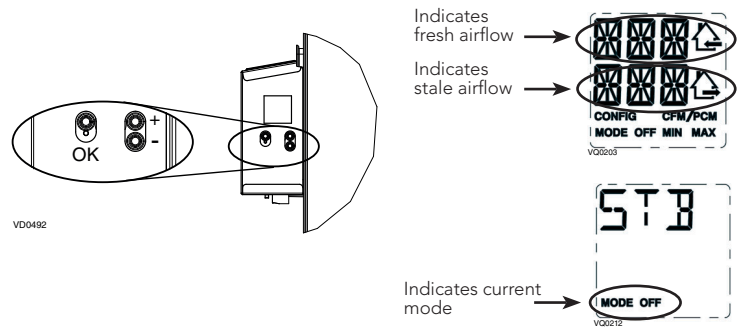
⚠ WARNING

- Risk of electric shocks. Before performing any maintenance or servicing, always disconnect the unit from its power source.
- This product is equipped with an overload protection (fuse). A blown fuse indicates an overload or a short-circuit situation. If the fuse blows, unplug the product from the outlet. Discontinue using the unit and contact technical support.



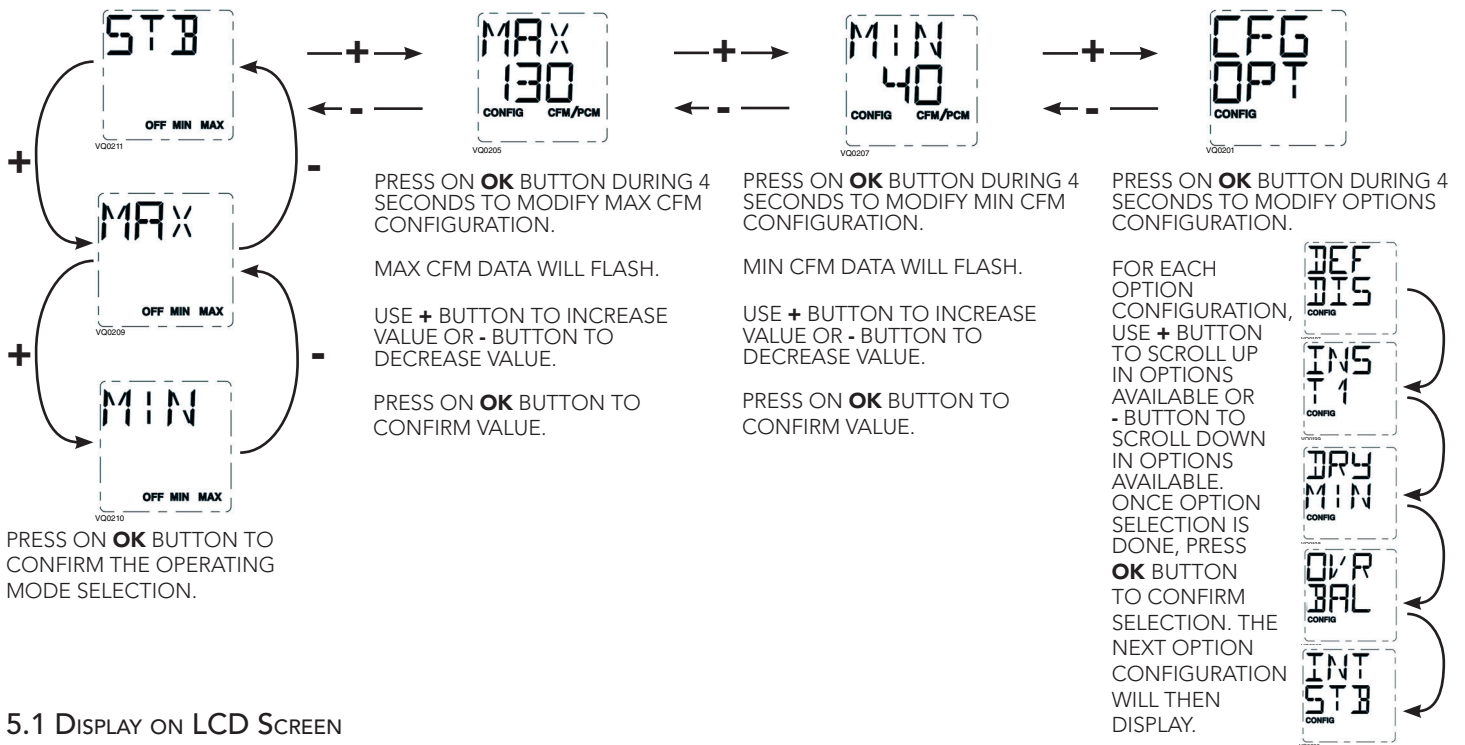
5. NAVIGATION ON LCD SCREEN

OK button	To confirm a selection.
+ button	To increase a value.
	To scroll up in a selection.
- button	To decrease a value.
	To scroll down in a selection.



PRESS ON **OK** BUTTON TO CHANGE THE OPERATING MODE. PRESS ON **+** BUTTON OR **-** BUTTON TO MODIFY MAX CFM, MIN CFM OR OPTIONS CONFIGURATION.

USE **+** BUTTON OR **-** BUTTON TO SELECT THE DESIRED OPERATING MODE.



PRESS ON **OK** BUTTON TO CONFIRM THE OPERATING MODE SELECTION.

5.1 DISPLAY ON LCD SCREEN

DISPLAY	DEFINITION
STB	Standby mode
MED	MED speed
INT	Intermittent mode
REC	Recirculation mode (Min, Med or Max speed)
AUT	AUTO mode
SMT	SMART mode
OVR 20	Override 20 min
OVR 40	Override 40 min
OVR 60	Override 60 min
OVR CNT	Override by dry contact
AHU	Refer to section 6.3 for explanation
HUM	Humidistat or Dehumidistat override
TUR	Turbo mode
OTH	Away mode or Scheduling mode
DEF	Defrost mode
EXX or WXX (XX referring to error or warning number)	Refer to section 8 for each error/warning explanation

5.2 UNIT FIRST BOOT

PREPARATION

Follow these steps to ensure accurate measurements:

- Seal all the ductwork with tape. Close all windows and doors.
- Turn off all exhaust devices such as range hood, dryer and bathroom fans.
- If the installation is in any way connected to a ductwork of a central forced-air system, make sure that the central forced-air system blower is ON. If not, leave central forced-air system blower OFF.

AUTO-BALANCING PROCEDURE

- Plug the unit and wait for the maximum CFM to display on the LCD screen. At first boot, it will take longer to get the information since motors have to preheat.
- The maximum CFM will display on the LCD screen. Use (+/-) to adjust the CFM and OK to confirm.
- The minimum CFM will display on the LCD screen. Use (+/-) to adjust the CFM and OK to confirm.

INSTALLATION CONFIGURATION SELECTION

- INS will display on the LCD screen. Choose among T-1, T-2, T-3, T-4 or T-5 following the installation configuration (Refer to section 2.2 for more details).
- Auto-balancing is completed.

5.3 SETTINGS MODIFICATION

5.3.1 PROCEDURE TO MODIFY MIN CFM SETTING

- Go to MIN using (+/-) then press on the OK button for 4 seconds.
- Use (+/-) to increase/decrease CFM and OK to confirm.

5.3.2 PROCEDURE TO MODIFY MAX CFM SETTING

- Go to MAX using (+/-) then press on the OK button for 4 seconds.
- Use (+/-) to increase/decrease CFM and OK to confirm.

5.3.3 PROCEDURE TO MODIFY OPTIONS SETTING

- Go to CFG OPT using (+/-) then press on the OK button for 4 seconds.

Options	Configurations available
DEF (Defrost)	DIS* (Discretion - defrost without speed variation for more comfort), PLU (Plus - extended defrost for colder areas)
INS (Installation)	T-1, T-2, T-3, T-4*, T-5 (Refer to section 2.2)
DRY (Dry contact)	MIN* (Minimum), INT (Intermittent), AUT (AUTO), MAX (Maximum) (Refer to section 3.3.1)
OVR (Override)	BAL* (Balanced), PER (Performance), DIS (Discretion) (Refer to section 3.2.1)
INT (Intermittent)	STB* (Standby - 20 min in MIN speed and 40 min in standby mode), REC** (Recirculation - 20 min in MIN speed and 40 min in recirculation mode) ** REC (Recirculation) configuration is not available for T-2 to T-5 installation configurations nor for 150H75NT, 150H75NS, 150E75NT and 150E75NS units. NOTE : Following ducting installation configuration and temperature conditions, it may be necessary for the unit to operate continuously. Refer to section 2.2 for more details.

* Factory setting

NOTE: If no selection is confirmed within 10 minutes, the unit will exit the menu without saving any changes.

5.4 FACTORY SETTINGS RESET

If any change is made to the ducting, reset settings to restart the airflow test.

PROCEDURE TO RESET SETTINGS

Press on the OK and (-) buttons simultaneously for 4 seconds. Use (+/-) to select Yes or No and OK to confirm. Then perform the auto-balancing procedure.

6. USING THIS UNIT

6.1 YOUR VENTILATION SYSTEM

This balanced ventilation unit is designed to provide fresh air to your home while exhausting stale, humid air. Thanks to its energy/heat recovery module, the unit recovers a large proportion of heat or energy that is part of indoor or outdoor air according to the seasons to improve comfort and energy efficiency during the heating and the cooling periods. With the Virtuo Air Technology™, this unit responds to the variations in its environment in an autonomous way, ensuring to provide a proper level of ventilation and air quality. This unit also features automatic modes (AUTO or SMART) that manage autonomously the required ventilation level as per indoor and/or outdoor conditions. In colder areas, the unit will perform, at intervals, recovery module discreet defrost to maintain performance and comfort.

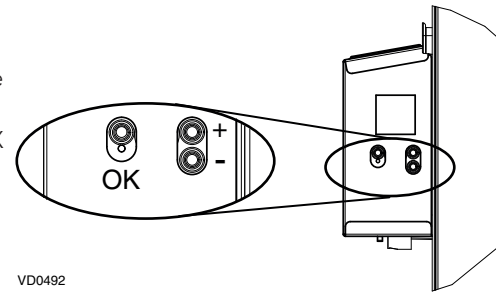
6.2 INTEGRATED CONTROL

All units are equipped with an integrated control, located in front of the electrical compartment. For more convenience, these units can be controlled using an optional wall control or the central forced-air system thermostat equipped with external fan activation.

MODE SELECTION

1. To change the mode, use (+/-) to access the Mode screen. Press OK to edit the mode and use (+/-) to change the mode (Standby, Min, Max).
2. Press OK to confirm selection. The airflows will be displayed for both MIN and MAX modes.

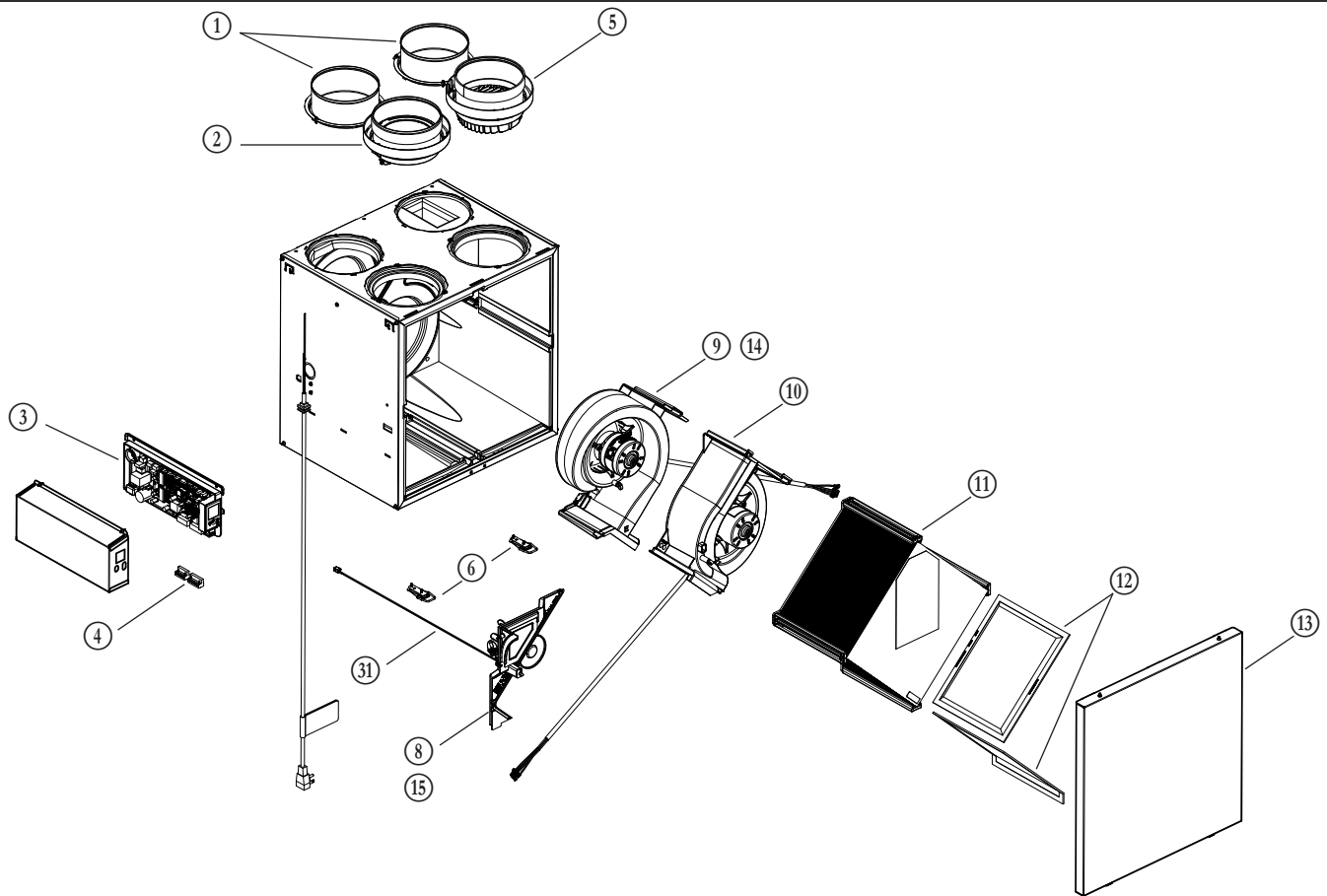
NOTE: If an optional auxiliary wall control or the central forced-air system thermostat equipped with external fan activation is used, it overrides the integrated control.



6.3 AHU MODE DISPLAY

Depending on unit configuration and/or installation, the unit could not be able to reach desired minimum CFM. This situation could happen with configurations T-2 to T-5. In such a case, AHUXX (XX referring to desired minimum CFM value) will display on LCD screen. In AHU mode, the unit operates in intermittent mode to reach desired minimum CFM value. Intermittent mode duration varies as per desired minimum CFM value.

7. SERVICE PARTS



VL0086

ITEM	DESCRIPTION	PART NUMBER										
			B110H65RT B110H65RS	B130H65RT B130H65RS	B130E65RT B130E65RS	B160H65RT B160H65RS	B160E65RT B160E65RS	B160H75RT B160H75RS	B160E75RT B160E75RS	B150H75NT B150H75NS	B150E75NT B150E75NS	
1	6" port warm side	SV66139				2	2	2	2	2		
	5" port warm side	SV66140	2	2	2						2	2
2	6" metal port motorized damper	SV66135				1	1	1	1			
	5" metal port motorized damper	SV66136	1	1	1						1	1
3	Electronic assembly	SV66144**	1	1	1	1	1	1	1	1	1	1
4	Terminal blocks	SV66145	1	1	1	1	1	1	1	1	1	1
5	6" exhaust port assembly	SV66137				1	1	1	1			
	5" exhaust port assembly	SV66138	1	1	1						1	1
6	Door latches and keepers for door	SV61218	1	1	1	1	1	1	1	1	1	1
7	Thermistor	SV66134	1	1	1	1	1	1	1	1	1	1
8	Recirculation damper with thermistor	SV66148	1	1	1	1	1	1	1	1		
9	Exhaust blower with damper	SV66142	1	1	1	1	1	1	1	1	1	1
10	Supply blower assembly	SV66141	1	1	1	1	1	1	1	1	1	1
11	Core ERV 65 %	SV66113			1			1				
	Core ERV 75 %	SV66114								1		1
	Core HRV 65 %	SV66115	1	1		1						
	Core HRV 75 %	SV66116							1		1	
12	MERV8 filters kit	SV66133	1	1	1	1	1	1	1	1	1	1
13	Door	SV66150	1	1	1	1	1	1	1	1	1	1
14	Exhaust damper	SV66143	1	1	1	1	1	1	1	1	1	1
15	Separator WE with thermistor	SV66149									1	1
*	Hardware kit	SV66146	1	1	1	1	1	1	1	1	1	1
*	Fuse for PCB	SV66147	1	1	1	1	1	1	1	1	1	1
*	1/2" hose	SV00592	1	1	1	1	1	1	1	1	1	1

REPLACEMENT PARTS AND REPAIRS
 In order to ensure your ventilation unit remains in good working condition, you must use Broan-NuTone LLC genuine replacement parts only. The Broan-NuTone LLC genuine replacement parts are specially designed for each unit and are manufactured to comply with all the applicable certification standards and maintain a high standard of safety. Any third party replacement part used may cause serious damage and drastically reduce the performance level of your unit, which will result in premature failing. Broan-NuTone LLC recommends to contact a certified service depot for all replacement parts and repairs.

* Not shown.

** See next page to get the part number that corresponds to the ventilation unit model.

7. SERVICE PARTS (CONT'D)

ELECTRONIC ASSEMBLY PART NUMBER	VENTILATION UNIT MODEL																		
	B110H65RS	B110H65RT	B130H65RS	B130H65RT	B160H65RS	B160H65RT	B150H75NS	B150H75NT	B160H75RS	B160H75RT	B130E65RS	B130E65RT	B160E65RS	B160E65RT	B150E75NS	B150E75NT	B160E75RS	B160E75RT	
SV66144-01	X																		
SV66144-02		X																	
SV66144-03			X																
SV66144-04				X															
SV66144-05					X														
SV66144-06						X													
SV66144-07							X												
SV66144-08								X											
SV66144-09									X										
SV66144-10										X									
SV66144-11											X								
SV66144-12												X							
SV66144-13													X						
SV66144-14														X					
SV66144-15															X				
SV66144-16																X			
SV66144-17																	X		
SV66144-18																		X	

8. INSTALLER'S TROUBLESHOOTING

WARNING

The wearing of safety glasses and gloves is recommended since a few diagnosis procedures may require the unit to be in operation while proceeding. Be careful with moving and live parts to prevent any risk of injury.

ERROR	DESCRIPTION	SOLUTION
E01	Supply damper range	<p>STEP 1: Unplug unit, inspect the damper system, remove any undesirable obstacle or dirt (filters and core may have to be removed to access the damper system). Plug unit.</p> <p>If STEP 1 did not fix the problem, perform STEP 2: Open electrical compartment, check if connector J5 (white) is well inserted, check for any loose wires.</p> <p>If STEP 2 did not fix the problem, perform STEP 3: If the damper is not moving at all, unplug J7 (red) from the electronic assembly, connect the white damper system connector into J7. If the damper moves (but the system still shows an error), the electronic assembly must be replaced. Otherwise, replace the damper system.</p>
E02	Supply damper timeout	
E03	Supply damper	
E05	Exhaust damper range	<p>STEP 1: Unplug unit, inspect the damper system, remove any undesirable obstacle or dirt (filters and core may have to be removed to access the damper system). Plug unit.</p> <p>If STEP 1 did not fix the problem, perform STEP 2: Open electrical compartment, check if connector J7 (red) is well inserted, check for any loose wires.</p> <p>If STEP 2 did not fix the problem, perform STEP 3: If the damper is not moving at all, unplug J5 (white) from the electronic assembly, connect the white damper system connector into J5. If the damper moves (but the system still shows an error), the electronic assembly must be replaced. Otherwise, replace the damper system.</p>
E06	Exhaust damper timeout	
E07	Exhaust damper	
E09	Recirculation damper range	<p>STEP 1: Unplug unit, inspect the damper system, remove any undesirable obstacle or dirt (filters and core may have to be removed to access the damper system). Plug unit.</p> <p>If STEP 1 did not fix the problem, perform STEP 2: Open electrical compartment, check if connector J6 (blue) is well inserted, check for any loose wires.</p> <p>If STEP 2 did not fix the problem, perform STEP 3: If the damper is not moving at all, unplug J5 (white) from the electronic assembly, connect the blue damper system connector into J5. If the damper moves (but the system still shows an error), the electronic assembly must be replaced. Otherwise, replace the damper system.</p>
E10	Recirculation damper timeout	
E11	Recirculation damper	
E22	Supply airflow	<p>STEP 1: Perform a visual inspection of the supply damper system. Clean filters, distribution registers and outside supply hood. Inspect ducting to ensure it is not squeezed or bent.</p> <p>If STEP 1 did not fix the problem, perform STEP 2: Remove ducting of the supply path. On the LCD screen, select MAX to check if the unit is able to reach the selected flow. If so, review the ducting path.</p> <p>If STEP 2 did not fix the problem, perform STEP 3: On the LCD screen, select the MIN and MAX flow setting values then reset the unit. MAX flow value will display on the LCD screen. If MAX flow is above desired MAX flow, set MAX and MIN flows.</p> <p>If STEP 3 did not fix the problem, perform STEP 4: Replace the supply blower and repeat STEP 3.</p> <p>If STEP 4 did not fix the problem, perform STEP 5: Replace the electronic assembly.</p>
E23	Supply motor (drive over current)	<p>STEP 1: Unplug/plug unit.</p> <p>If STEP 1 did not fix the problem, perform STEP 2: Remove core and clear the ventilation wheel from any dirt or obstacles.</p> <p>If STEP 2 did not fix the problem, perform STEP 3: Disconnect J2 (white) and connect a spare blower system. If it works, replace supply blower.</p> <p>If STEP 3 did not fix the problem, perform STEP 4: Replace the electronic assembly.</p>
E27	Supply motor (drive foc duration)	
E28	Supply motor (drive speed feedback)	
E29	Supply motor (startup)	
E24	Supply motor (drive over voltage)	<p>STEP 1: Unplug/plug unit. Under and over voltage may be detected with severe in-house power supply fluctuation and stop the motor for protection.</p> <p>If STEP 1 did not fix the problem, perform STEP 2: Replace the electronic assembly.</p>
E25	Supply motor (drive under voltage)	

8. INSTALLER'S TROUBLESHOOTING (CONT'D)

ERROR	DESCRIPTION	SOLUTION
E26	Supply motor (drive over temp)	STEP 1: Validate if the air exchanger is exposed to ambient temperatures within the operating limits (see p. 4) If STEP 1 did not fix the problem, perform STEP 2: Replace the electronic assembly.
E32	Exhaust airflow	STEP 1: Perform a visual inspection of the exhaust damper system. Clean filters, distribution registers and outside supply hood. Inspect ducting to ensure it is not squeezed or bent. If STEP 1 did not fix the problem, perform STEP 2: Remove ducting of the supply path. On the LCD screen, select MAX to check if the unit is able to reach the selected flow. If so, review the ducting path. If STEP 2 did not fix the problem, perform STEP 3: On the LCD screen, select the MIN and MAX flow setting values then reset the unit. MAX flow value will display on the LCD screen. If MAX flow is above desired MAX flow, set MAX and MIN flows. If STEP 3 did not fix the problem, perform STEP 4: Replace the exhaust blower and repeat STEP 3. If STEP 4 did not fix the problem, perform STEP 5: Replace the electronic assembly.
E33	Exhaust motor (drive over current)	STEP 1: Unplug/plug unit.
E37	Exhaust motor (drive foc duration)	If STEP 1 did not fix the problem, perform STEP 2: Remove core and clear the ventilation wheel from any dirt or obstacles.
E38	Exhaust motor (drive speed feedback)	If STEP 2 did not fix the problem, perform STEP 3: Disconnect J3 (red) and connect a spare blower system. If it works, replace exhaust blower.
E39	Exhaust motor (startup)	If STEP 3 did not fix the problem, perform STEP 4: Replace the electronic assembly.
E34	Exhaust motor (drive over voltage)	STEP 1: Unplug/plug unit. Under and over voltage may be detected with severe in-house power supply fluctuation and stop the motor for protection.
E35	Exhaust motor (drive under voltage)	If STEP 1 did not fix the problem, perform STEP 2: Replace the electronic assembly.
E36	Exhaust motor (drive over temp)	STEP 1: Validate if the air exchanger is exposed to ambient temperatures within the operating limits (see p. 4) If STEP 1 did not fix the problem, perform STEP 2: Replace the electronic assembly.
E40	Outside air thermistor	STEP 1: Check if thermistor is well connected in connector J7A. If STEP 1 did not fix the problem, perform STEP 2: Disconnect connector J7A and check if the measured resistance (thermistor connector) is within 5 Kohms to 120 Kohms. If outside the range, replace the thermistor. If STEP 2 did not fix the problem, perform STEP 3: Replace the electronic assembly.
E41	Distribution air thermistor	STEP 1: Check if thermistor is well connected in connector J7B. If STEP 1 did not fix the problem, perform STEP 2: Disconnect connector J7B and check if the measured resistance (thermistor connector) is within 5 Kohms to 120 Kohms. If outside the range, replace the thermistor. If STEP 2 did not fix the problem, perform STEP 3: Replace the electronic assembly.
E42	PCBA thermistor fault	STEP 1: Replace the electronic assembly.
E43	PCBA temperature over limit	STEP 1: Validate if the air exchanger is exposed to ambient temperatures within the operating limits (see p. 4) If STEP 1 did not fix the problem, perform STEP 2: Replace the electronic assembly.
E50	Wall control communication lost	STEP 1: Unplug unit, inspect wires, plug unit. If STEP 1 did not fix the problem, perform STEP 2: Remove wall control from the wall installation and test with a short cable. If it works, bring a new cable to the wall installation location. If STEP 2 did not fix the problem, perform STEP 3: Test the air exchanger with a spare wall control. If it works, replace the wall control. If STEP 3 did not fix the problem, perform STEP 4: Replace the electronic assembly.
E51	Wall control sensor	STEP 1: Unplug unit, inspect wires, plug unit. If STEP 1 did not fix the problem, perform STEP 2: Replace the wall control.
E60	Protection mode	STEP 1: Perform general inspection of the unit (dampers, core, filters).

8. INSTALLER'S TROUBLESHOOTING (CONT'D)

WARNING	DESCRIPTION	SOLUTION
W22	Supply airflow	<p>STEP 1: Perform a visual inspection of the supply damper system. Clean filters, distribution registers and outside supply hood. Inspect ducting to ensure it is not squeezed or bent. If STEP 1 did not fix the problem, perform STEP 2: Remove ducting of the supply path. On the LCD screen, select MAX to check if the unit is able to reach the selected flow. If so, review the ducting path.</p> <p>If STEP 2 did not fix the problem, perform STEP 3: On the LCD screen, select the MIN and MAX flow setting values then reset the unit. MAX flow value will display on the LCD screen. If MAX flow is above desired MAX flow, set MAX and MIN flows.</p> <p>If STEP 3 did not fix the problem, perform STEP 4: Replace the supply blower and repeat STEP 3. If STEP 4 did not fix the problem, perform STEP 5: Replace the electronic assembly.</p>
W32	Exhaust airflow	<p>STEP 1: Perform a visual inspection of the exhaust damper system. Clean filters, distribution registers and outside supply hood. Inspect ducting to ensure it is not squeezed or bent. If STEP 1 did not fix the problem, perform STEP 2: Remove ducting of the supply path. On the LCD screen, select MAX to check if the unit is able to reach the selected flow. If so, review the ducting path.</p> <p>If STEP 2 did not fix the problem, perform STEP 3: On the LCD screen, select the MIN and MAX flow setting values then reset the unit. MAX flow value will display on the LCD screen. If MAX flow is above desired MAX flow, set MAX and MIN flows.</p> <p>If STEP 3 did not fix the problem, perform STEP 4: Replace the exhaust blower and repeat STEP 3. If STEP 4 did not fix the problem, perform STEP 5: Replace the electronic assembly.</p>
W52	Initial setting incomplete	<p>STEP 1: Press + or - to access the selection menu.</p> <p>STEP 2: Complete configuration. (Refer to section 5 for more details).</p>
W61	Protection mode electronics overheating	<p>The unit is currently in protection mode. The power transmitted to the motor is deliberately reduced to decrease electronics temperature. The unit will exit this mode by itself once conditions are back to normal. It is normal to observe reduction in airflows during this period. This condition should appear only when the unit is located in a warm environment, for example over 60°C (140°F). If this condition appears while the unit is located in an environment where the ambient temperature is under 30°C (86°F), replace the electronic assembly.</p>

9. MAINTENANCE

⚠ WARNING

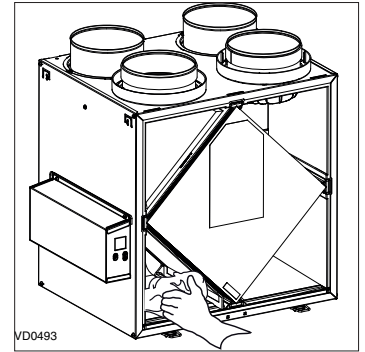
High voltage risk. During maintenance or repairs, always stop the unit then unplug it to prevent any risk of electric shock. The wearing of safety glasses and gloves is recommended when handling unit components to prevent any risk of injury that could be caused by the presence of thin metal.

9.1 QUARTERLY

1. Disconnect power cord.
2. The door of this unit is hinged and maintained closed by 2 latches. Open them and set aside.
3. Clean the inside of the door with a damp cloth.
4. Clean filters:
 - Remove filters.
 - Vacuum to remove most of the dust.
 - Wash with a mixture of warm water and mild soap. You may add bleach if you wish to disinfect (one tablespoon per gallon). Rinse thoroughly. Shake filters to remove excess water and let dry.

Note: The optional MERV13 filter is a disposable filter. It should be replaced when it is too dirty.

5. Clean the condensing tray with a damp cloth.
6. Check the exterior air intake hood:



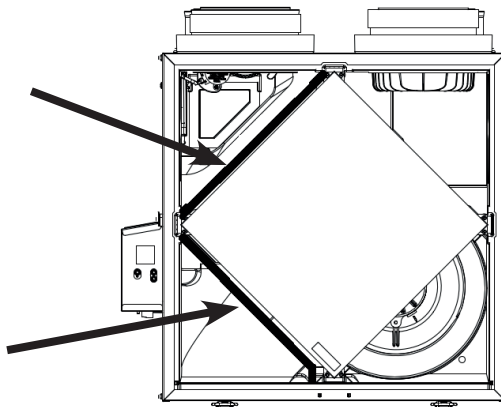
CAUTION

A blocked air vent or filter, even partially, could cause the unit to malfunction. The comfort provided by the unit could be reduced and the risk of unit frost could increase. This could cause unit breakdown and/or damage to property.

- Make sure there are no leaves, twigs, ice or snow that could be drawn into the vent.
 - Clean if necessary.
7. Reassemble the components. Pay special attention to the filters by making sure that they are engaged in their slots.
 8. Rotate the blower wheels by hand. If one of the wheels does not rotate easily, contact your installer.
 9. Close the unit door and reconnect power supply.
 10. Reset filters, if required. If using an optional main wall control (SPEED, DEHUMIDISTAT OR AUTOMATIC), press on the INT/AUTO button for 5 seconds to reset the filters. If using the ADVANCED optional main wall control, follow the instructions on the touch screen.

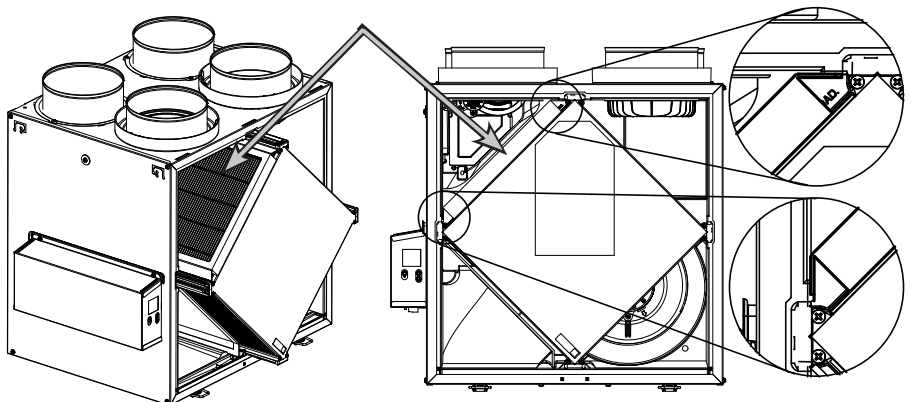
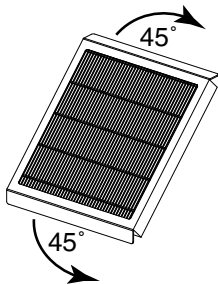
MERV8 FILTER INCLUDED

EXHAUST FILTER INCLUDED



OPTIONAL MERV13 FILTER (EXHAUST FILTER NOT INCLUDED)

Pull the core 3" to 4" out.
Bend the two MERV13 flaps to form a 45-degree angle, as illustrated below.



Install the MERV13 filter over the core as illustrated hereafter.

Push the core and the MERV13 filter to the bottom of the unit.

NOTE: The optional MERV13 filter replaces the MERV8 filter.

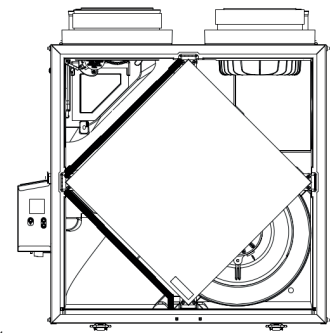
9. MAINTENANCE (CONT'D)

9.2 ANNUAL (AT FALL)

- Repeat steps 1 to 6 from the previous section and continue with the following steps:

CAUTION

- Handle the recovery core with care.



- Clean the recovery core:

HRV MODELS	ERV MODELS
<ul style="list-style-type: none"> Remove the core. Let it soak in a mixture of cold or lukewarm water and mild soap (dishwashing liquid). Rinse thoroughly. Shake the core to remove excess water and let it dry. 	Remove the dust on the core using a vacuum cleaner and a soft brush attachment. CAUTION: DO NOT SOAK THE ENERGY RECOVERY CORE IN WATER

- Clean the blower assemblies. Do not disassemble the blower assemblies.
- Remove the dust using a vacuum cleaner with a soft brush attachment.
- Reassemble the components.
- Reconnect power supply.

10. USER'S TROUBLESHOOTING

Contact customer service at 1-800-558-1711 for any unresolved issue.

PROBLEM	TRY THIS
1. Nothing works.	<ul style="list-style-type: none"> See if the unit is plugged in. See if the unit is receiving power from the house circuit breaker or fuse.
2. Noisy unit.	<ul style="list-style-type: none"> Clean the unit (see Section 9). If the problem is not solved, contact your installer.
3. Condensation inside windows under cold weather conditions.	<ul style="list-style-type: none"> Operate the unit at MAX speed during activities generating excess humidity (family gatherings, extra cooking, etc.). Leave curtains half-open to allow air circulation. Store all firewood in a closed room with a dehumidifier or in a well ventilated room, or store the wood outdoors. Keep the temperature in your house above 64°F.
4. Humidity inside under hot/humid weather conditions.	<ul style="list-style-type: none"> Operate the unit in MIN speed. Temporarily switch to INT mode (if available). Use a dehumidifier.
5. Air too dry.	<ul style="list-style-type: none"> Operate the unit at MIN speed. Temporarily switch to INT mode (if available). Temporarily use a humidifier.
6. Air too cold at the air supply register.	<ul style="list-style-type: none"> Make sure the outdoor hoods are not blocked. Operate the unit at MIN speed. Install a duct heater (contact your installer).

11. WARRANTY

This ventilation unit is a high quality product, built and packaged with care. The manufacturer warrants to the original purchaser of its product, that such products will be free from defects for the period stated below, from date of original purchase. For all units, the warranty covers parts only against any operational defect. This 5-year warranty is subject to performance of the core maintenance according to recommendations in this manual. The heat recovery core (HRV) has a limited lifetime warranty, and the energy recovery core (ERV) has a 5-year warranty. If any defect should occur, we urge you to read the user guide carefully. If the problem persists, observe the following rules:

RULES TO FOLLOW

If the unit is defective, contact your ventilation contractor (see address on your manual's cover page). The contractor will determine with you the reason for the defect, and if needed, do the replacement or repair. If ever it is impossible to reach your ventilation contractor, call 1-800-558-1711 (in North America); the personnel will be pleased to give you the phone number of a distributor or a service center near you.

REPLACEMENT PARTS AND REPAIR

In order to ensure your ventilation unit remains in good working condition, you must use the Broan genuine replacement parts only. The Broan genuine replacement parts are specially designed for each unit and are manufactured to comply with all the applicable certification standards and maintain a high standard of safety. Any third party replacement part used may cause serious damage and drastically reduce the performance level of your unit, which will result in premature failing. Broan also recommends that you contact a service depot certified by the manufacturer for all replacement parts and repair.

BILL OF PURCHASE

No replacement or repair covered by the warranty will be carried out unless the unit is accompanied by a copy of the original bill of purchase. Please retain your original.

MISCELLANEOUS COSTS

In each case, the labor and shipping costs for the removal of a defective part and/or installation of a compliant part will not be covered by the manufacturer.

CONDITIONS AND LIMITATIONS

These units are created for **residential use** only and must be used in a building as defined below:

Building: All structures zoned and/or erected for the act, process or art of human or animal habitation and/or the storage or warehousing of goods.

Residential use: Dwelling, lodging, suite: Building, or part of a building, intended to act as either the domicile to one or several people which can include general sanitary, food consumption and rest facilities. Buildings of only one room or a group of rooms including those occupied by a tenant or owner; comprise the lodgings, the individual rooms of the motels, hotels, rooming/lodging houses, boarding/half-way/foster homes, dormitories, and suites, as well as the stores and the business establishments constituted by only one room in a dwelling.

Commercial use: Agricultural establishment, commercial establishment for assembly, care, or detention: Building or part of a building that does not contain a dwelling, situated on land dedicated to agriculture or farming and used primarily to shelter animals, or for the production, the storage or the treatment of agricultural or horticultural products or animal food. Building or part of a building, used for the display or retail of goods, professional or personal services, or commodities. Building, or part of a building used by persons gathering for civic activities, religious or political assembly, tourism, educational/vocational training, recreation or the consumption of food or drink. Building, or part of a building used to shelter persons of impaired physical or psychological states, persons requiring palliative care or medical treatments, or persons for reasons out of their control, cannot escape harm or threat of danger autonomously.

Industrial use: Building, or part of a building, used for the assembly, the manufacture, the creation, the treatment, the repair or the storage of products and combustible materials and that contain fuels that when ignited or exploded in sufficient quantity may constitute a risk of fire.

The above warranty applies to all cases where the damage is not a result of poor installation, improper use, mistreatment or negligence, acts of God, or any other circumstances beyond the control of the manufacturer. Furthermore, the manufacturer will not be held responsible for any bodily injury or damage to personal property or real estate, whether caused directly or indirectly by the unit. This warranty supersedes all prior warranties.

Broan 926 West State Street, Hartford, WI 53027 www.broan.com 800-558-1711

BROAN®

MANUAL DEL USUARIO Y DEL INSTALADOR



VB0288

B110H65RT	B110H65RS
B130H65RT	B130H65RS
B130E65RT	B130E65RS
**B150H75NT*	**B150H75NS*
**B160H75RT	**B160H75RS
**B160H65RT	**B160H65RS
B160E65RT	B160E65RS
B150E75NT*	B150E75NS*
B160E75RT	B160E75RS

*No se ofrece el modo recirculación en estos modelos.



REGISTRE SU PRODUCTO EN LÍNEA EN:

www.broan-nutone.com/en-us/home/customer-service/product-registration

Para obtener más información, visitar nuestro sitio www.Broan-NuTone.com

INSTALADOR: LEA ESTAS INSTRUCCIONES GUÁRDELAS PARA EL USUARIO PARA USO RESIDENCIAL ÚNICAMENTE

**ESTOS PRODUCTOS OBTUVIERON LA DENOMINACIÓN ENERGY STAR® AL CUMPLIR LAS ESTRUCTAS DIRECTRICES DE EFICIENCIA ENERGÉTICA ESTABLECIDAS POR EL MINISTERIO DE RECURSOS NATURALES DE CANADÁ Y LA EPA DE ESTADOS UNIDOS. CUMPLEN CON LOS REQUISITOS DE ENERGY STAR ÚNICAMENTE CUANDO SE UTILIZAN EN CANADÁ.



Este manual utiliza los siguientes símbolos para hacer hincapié en determinada información:

ADVERTENCIA

Se refiere a una instrucción que, si no se sigue, puede provocar lesiones personales graves, incluso causar la muerte.

PRECAUCIÓN

Denota una instrucción que, si no se sigue, puede dañar gravemente el aparato y/o sus componentes.

NOTA: Indica la información complementaria necesaria para completar una instrucción.

LIMITACIÓN

Para instalación residencial (doméstica) solamente. Los trabajos de instalación y el cableado eléctrico han de ser realizados por personas calificadas, de conformidad con todos los códigos y normas aplicables, incluyendo los códigos y normas de construcción contra incendios.

ADVERTENCIA

PARA REDUCIR EL RIESGO DE FUEGO, CHOQUE ELÉCTRICO O HERIDAS CORPORALES, SIGA LAS INDICACIONES SIGUIENTES:

1. Utilice este aparato sólo en la forma prevista por el fabricante.
2. Antes de realizar tareas de mantenimiento o de limpiar el aparato, desenchufe el cable de alimentación de la toma eléctrica.
3. Este aparato no ha sido pensado para proporcionar aire de combustión o de dilución para aparatos que queman combustible.
4. Al cortar o taladrar en una pared o en el techo, procure no dañar el cableado eléctrico ni otras instalaciones ocultas.
5. No use el aparato con un dispositivo de control de velocidad de semiconductores diferente de los que se indican en la sección 3.1.
6. Este aparato debe conectarse a tierra. El cable de alimentación lleva un enchufe de 3 patillas con toma de tierra para su seguridad personal. Debe enchufarse en una toma de corriente para tres patillas, conectada a tierra de acuerdo con el código eléctrico nacional y los códigos y ordenanzas locales. No retire la patilla de la toma de tierra. No utilice el aparato con un cable prolongador.
7. No instale el aparato en un espacio donde se cocina ni lo conecte directamente a otro aparato.
8. No lo use para evacuar materias ni vapores peligrosos o explosivos.
9. Para la instalación, el mantenimiento o la limpieza del aparato se aconseja llevar lentes y guantes de seguridad.
10. Cuando la reglamentación local aplicable sea más restrictiva en materia de instalación o certificación, dicha reglamentación prevalecerá sobre las exigencias de este manual y el instalador acepta atenerse a dicha reglamentación y asumir los gastos correspondientes.

PRECAUCIÓN

1. Para evitar que los filtros se obstruyan prematuramente, apague el aparato durante las obras de construcción o renovación.
2. Para mayor información sobre otras exigencias, lea la etiqueta de especificaciones que viene en el aparato.
3. Asegúrese de sacar el aire al exterior. No introduzca ni evacue el aire en espacios situados entre paredes, en el techo o en un desván, en sótanos pequeños ni en cocheras. No intente recuperar el aire de salida de una secadora o de una campana.
4. Aparato para instalación residencial únicamente, de acuerdo con las exigencias de la norma 90B de la NFPA (para un aparato instalado en EE.UU.) o con la parte 9 del Código Nacional de la Construcción de Canadá (para un aparato instalado en Canadá).
5. No pase ningún conducto de aire por encima o a menos de 2 pies (0,61 m) de una caldera o de su cámara de alimentación, de un calentador o de otro aparato que genere calor. Si hay que conectar un conducto a la cámara de retorno de una caldera, debe situarse al menos a 10 pies (3,1 m) de la conexión de la cámara con la caldera.
6. La instalación de los conductos debe hacerse de conformidad con todos los códigos locales y nacionales aplicables.
7. Al ausentarse de la vivienda durante un periodo largo (más de dos semanas), una persona responsable debería verificar regularmente si el aparato funciona correctamente.
8. Si los conductos pasan a través de un espacio no acondicionado (como un desván), el aparato debe funcionar constantemente, excepto cuando haya que hacer tareas de mantenimiento o reparaciones. Asimismo, la temperatura ambiente de la casa nunca debería bajar de 65°F.
9. No use el aparato durante la construcción o renovación de su casa o cuando se lije paredes de yeso. Ciertos tipos de polvo y vapores pueden dañar su sistema.
10. Las piezas mecánicas y electrónicas del aparato deberían ser examinadas por personal de servicio cualificado al menos una vez al año.
11. Asegúrese en todo momento de que la admisión exterior de aire y las bocas de aire viciado estén libres de nieve durante el invierno. Es importante comprobar que, durante una gran tormenta de nieve, el aparato no introduzca nieve. Si fuera el caso, por favor, apague el aparato durante unas horas.
12. Dado que el sistema de control electrónico del aparato utiliza un microprocesador, es posible que no funcione correctamente debido a los ruidos externos o a fallas de alimentación muy cortas. Si esto ocurre, desenchufe el aparato y espere aproximadamente 10 segundos. A continuación, enchufe de nuevo el aparato.
13. No debería hacer uso excesivo de aparatos de fragancia o de químicos porque pueden dañar el material de los componentes del aparato.

ÍNDICE

1. DATOS TÉCNICOS	4
1.1 DISTRIBUCIÓN DEL AIRE (FUNCIONAMIENTO NORMAL).....	4
2. INSTALACIÓN	4
2.1 UBICACIÓN Y MONTAJE DEL APARATO	4
2.2 INSTALACIÓN DE LOS CONDUCTOS Y REGISTROS	6
2.2.1 SISTEMA TOTALMENTE EQUIPADO CON CONDUCTOS (T-1) (SE PUEDE UTILIZAR EL MODO RECIRCULACIÓN CON ESTA CONFIGURACIÓN)...	6
2.2.2 SISTEMA EQUIPADO CON CONDUCTOS DE AIRE VICIADO (T-2) (NO SE PUEDE UTILIZAR EL MODO RECIRCULACIÓN CON ESTA CONFIGURACIÓN)	6
2.2.3 INSTALACIÓN SIMPLIFICADA (T-4) (NO SE PUEDE UTILIZAR EL MODO RECIRCULACIÓN CON ESTA CONFIGURACIÓN).....	7
2.3 CONEXIÓN DEL DESAGÜE (HRV SOLAMENTE)	8
2.4 INSTALACIÓN DE LA BOCA EXTERIOR DOBLE CON EL KIT DE CAMBIO DE SECCIÓN TANDEM® (OPCIONAL)	8
2.5 INSTALACIÓN DE LAS BOCAS EXTERIORAS	9
2.6 CONEXIÓN DE LOS CONDUCTOS AL APARATO	9
2.6.1 CONEXIÓN DE LOS CONDUCTOS	10
3. CONEXIONES	11
3.1 CONEXIÓN ELÉCTRICA CON EL CONTROL MURAL PRINCIPAL OPCIONAL.....	11
3.1.1 CONEXIÓN ELÉCTRICA CON EL CONTROL MURAL PRINCIPAL OPCIONAL SELECTOR DE VELOCIDAD, DEHUMIDOSTATO O AUTOMÁTICO.....	11
3.1.2 CONEXIÓN ELÉCTRICA CON EL CONTROL MURAL PRINCIPAL OPCIONAL AVANZADO	11
3.2 CONEXIÓN ELÉCTRICA CON EL CONTROL MURAL AUXILIAR OPCIONAL	12
3.2.1 CONEXIÓN ELÉCTRICA CON EL CONTROL MURAL AUXILIAR OPCIONAL 20-40-60	12
3.2.2 CONEXIÓN ELÉCTRICA CON EL CONTROL MURAL AUXILIAR OPCIONAL DE CONTACTO SECO (POR EJEMPLO TEMPORIZADOR MECÁNICO) ..	12
3.3 CONEXIÓN CON EL SISTEMA CENTRAL DE AIRE FORZADO.....	13
3.3.1 FUNCIONAMIENTO DEL APARATO USANDO UNA CONEXIÓN DE CONTACTO SECO.....	13
3.3.2 INTERCONEXIÓN DEL APARATO CON UN SISTEMA CENTRAL DE AIRE FORZADO (R/C/G/Gf)	13
3.3.3 SINCRONIZACIÓN CON LA FUNCIÓN SISTEMA CENTRAL DE AIRE FORZADO	13
4. DIAGRAMA DE CABLEADOS	14
5. NAVEGACIÓN EN LA PANTALLA LCD	15
5.1 INDICADOR EN LA PANTALLA LCD	15
5.2 PRIMER ARRANQUE DEL APARATO	16
5.3 CAMBIO DE AJUSTES.....	16
5.3.1 PROCEDIMIENTO PARA CAMBIAR EL AJUSTE DEL PI ³ /MIN MÍNIMO	16
5.3.2 PROCEDIMIENTO PARA CAMBIAR EL AJUSTE DEL PI ³ /MIN MÁXIMO	16
5.3.3 PROCEDIMIENTO PARA CAMBIAR EL AJUSTE DE LAS OPCIONES	16
5.4 REINICIALIZACIÓN DE LOS AJUSTES DE FÁBRICA	16
6. USO DE ESTE APARATO	17
6.1 SU SISTEMA DE VENTILACIÓN	17
6.2 CONTROL INTEGRADO.....	17
6.3 INDICADOR MODO AHU	17
7. PIEZAS DE RECAMBIO	18
8. SOLUCIÓN DE PROBLEMAS DEL INSTALADOR	20
9. MANTENIMIENTO	23
9.1 TRIMESTRAL	23
9.2 ANUAL (EN OTOÑO).....	24
10. SOLUCIÓN DE PROBLEMAS POR PARTE DEL USUARIO	24
11. GARANTÍA	25

Información al usuario

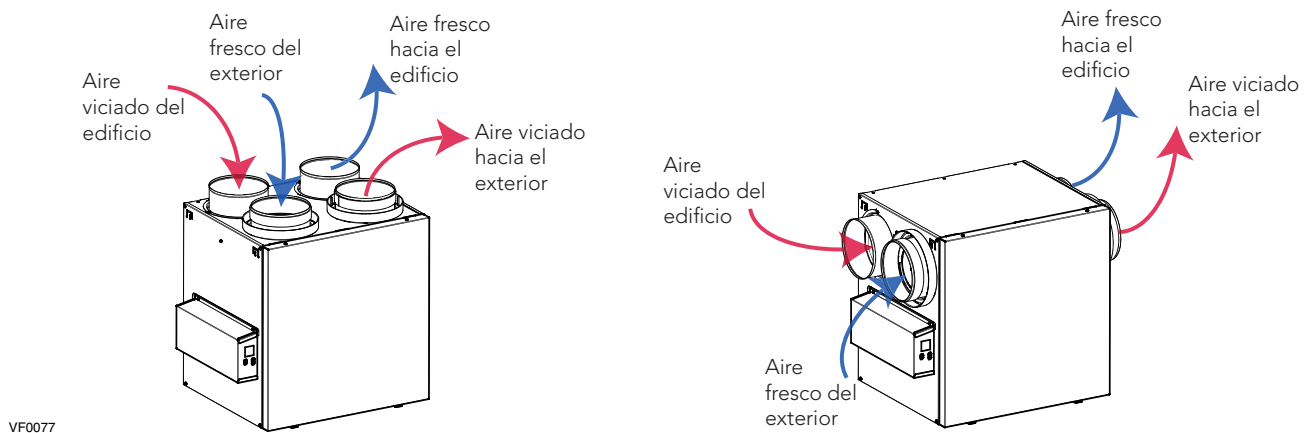
A. Para asegurar un funcionamiento silencioso del HRV/ERV, cada modelo de aparato debe instalarse utilizando técnicas de atenuación acústica adecuadas para la instalación.

B. La forma en que se instala su ventilador de recuperación de calor/energía puede hacer una diferencia significativa a la energía eléctrica consumida. Para minimizar el consumo eléctrico del ventilador de recuperación de calor/energía, se recomienda un sistema independiente, totalmente equipado con conductos. Si selecciona una instalación simplificada para que su caldera/AHU funciona para ventilar de sala en sala, una caldera de eficiencia energética con un motor de ventilador de velocidad variable electrónicamente conmutado reducirá su consumo de energía y su costo operativo.

C. La instalación de un control de usuario con su modelo de aparato mejorará la comodidad y podría reducir significativamente el consumo energético del modelo de aparato.

1. DATOS TÉCNICOS

1.1 DISTRIBUCIÓN DEL AIRE (FUNCIONAMIENTO NORMAL)



NOTA: Las dimensiones, los gráficos de rendimiento, las tablas del ciclo de descongelación y las especificaciones figuran en las hojas de especificaciones del aparato. Consulte nuestro sitio web en www.Broan-NuTone.com.

2. INSTALACIÓN

⚠ ADVERTENCIA

Se aconseja llevar guantes y gafas de protección durante la instalación, el mantenimiento o la limpieza del aparato para reducir el riesgo de lesiones causadas por la presencia de metal delgado y/o de piezas móviles en altura.

2.1 UBICACIÓN Y MONTAJE DEL APARATO

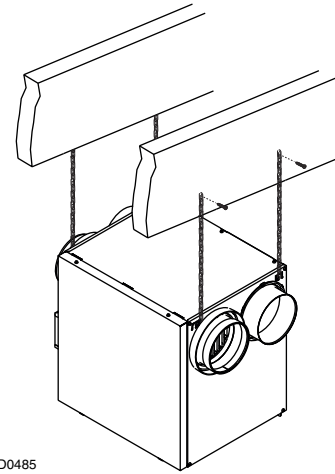
Elija una ubicación adecuada para el aparato:

- En una zona de la vivienda donde la temperatura ambiente se mantenga entre 50°F y 140°F;
- Lejos de las zonas de estar (comedor, sala de estar, dormitorio), de ser posible;
- De forma que sea fácil acceder al interior del armario para las tareas de mantenimiento trimestrales y anuales, y al tablero de control situado en un lado del aparato;
- Cerca de una pared exterior para limitar la longitud del conducto flexible aislado que sale del aparato o llega a él;
- Sólo para los aparatos HRV: cerca de un desagüe. Si no hay desagüe cerca, utilice un balde para recoger los residuos líquidos;
- Lejos de chimeneas calientes, tableros eléctricos y otros lugares que presenten peligro de fuego;
- A menos de 6 pies de distancia de una fuente de alimentación (toma de corriente estándar).

2.1 UBICACIÓN Y MONTAJE DEL APARATO (CONT.)

Suspendido en las viguetas:

- Doble ligeramente los soportes del aparato para insertar las cadenas provistas.
- Cuelgue el aparato en las viguetas utilizando las cadenas. Los resortes no son necesarios.
- Asegúrese siempre de que el desnivel del aparato no sea superior a 1/4 pulg.

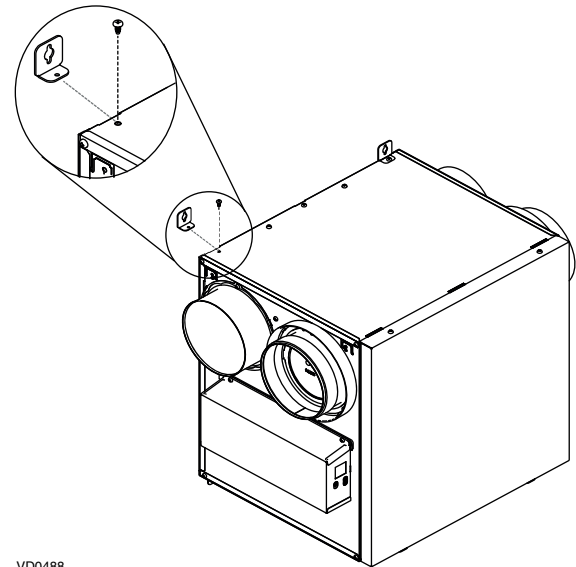


VD0485



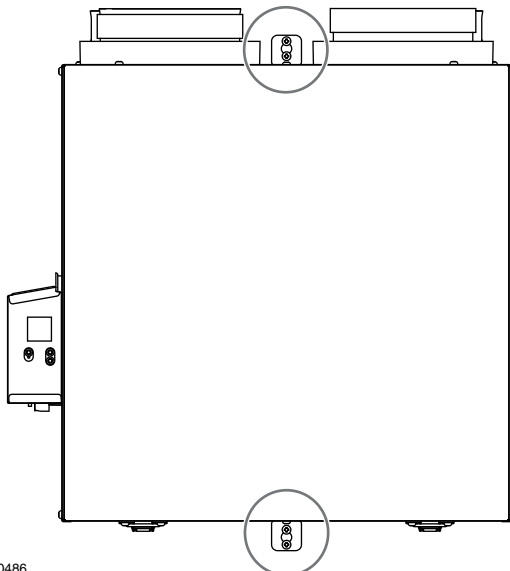
Montado en la pared:

- Seleccione la(s) ubicación/ubicaciones apropiada(s) para los soportes (véase la ilustración a continuación) según la posición de los montantes.
- Inserte los soportes suministrados debajo del cuadro del aparato (véase la ilustración a la derecha).
- Use el tornillo n.º 8 x 3/8 pulg. para fijar el soporte.
- Usando los 4 tornillos suministrados n.º 8 x 1½ pulg., sujete el aparato en la pared asegurándose de que los 4 tornillos queden sujetos en un montante.
- Asegúrese siempre de que el desnivel del aparato no sea superior a 1/4 pulg.



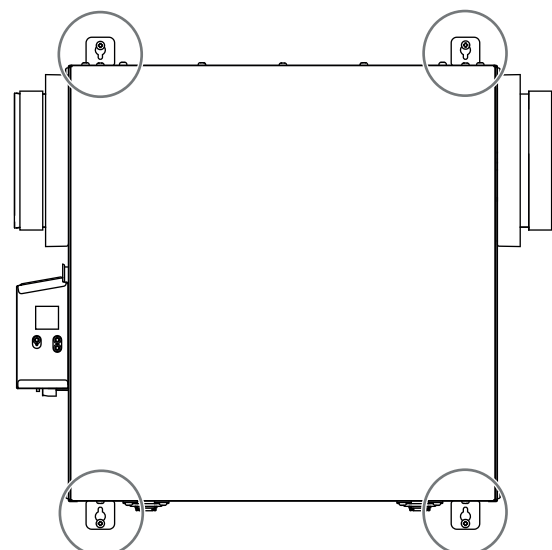
VD0488

INSTALACIÓN CON 2 SOPORTES



VD0486

INSTALACIÓN CON 4 SOPORTES



VD0487

2.2 INSTALACIÓN DE LOS CONDUCTOS Y REGISTROS

⚠ ADVERTENCIA

No instale nunca un registro de salida de aire viciado en una habitación donde haya un dispositivo de combustión, tal como una caldera, un calentador de agua a base de gas, una chimenea o cualquier dispositivo o equipo que pueden producir gases contaminantes o otros tipos de contaminantes. Una presión negativa podría crearse en la habitación y perjudicar a la evacuación de gases o contaminantes, lo que puede tener consecuencias graves para la salud.

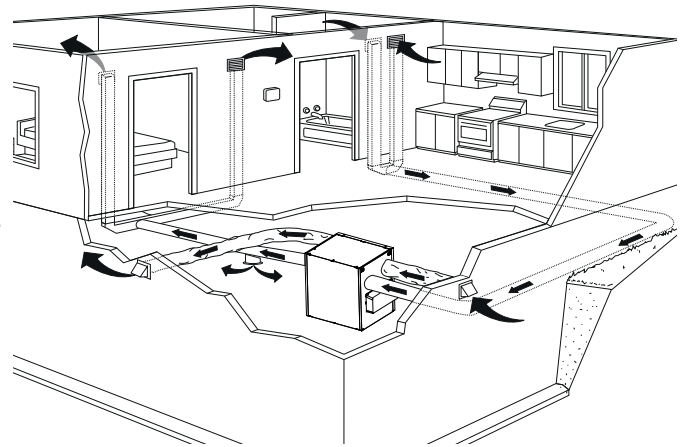
PRECAUCIÓN

Si los conductos han de pasar a través de un espacio no acondicionado (p. ej., un desván), use siempre conductos aislados para evitar la formación de condensación fuera o dentro del conducto, lo que podría provocar roturas de material y/o la aparición de moho. Además, si aire fresco hacia el edificio y/o aire viciado del edificio ha/han de pasar a través de un espacio no acondicionado, el aparato debe ser ajustado para funcionar de manera continua cuando hace frío (debajo de 10°C/50°F). El movimiento continuo de aire dentro de los conductos prevendrá que se forme condensación. Se puede detener el aparato temporalmente para fines de reparación y/o de mantenimiento en tales condiciones.

2.2.1 SISTEMA TOTALMENTE EQUIPADO CON CONDUCTOS (T-1) (SE PUEDE UTILIZAR EL MODO RECIRCULACIÓN CON ESTA CONFIGURACIÓN)

AIRE VICIADO DEL EDIFICIO:

- Instale los registros en zonas donde se produce humedad y contaminantes: cocina, baño, lavadero, etc.
- Instale los registros sobre una pared interior, a una distancia de 6 a 12 pulgadas del techo O en el techo.
- Instale el registro de la cocina al menos a 4 pies de distancia de la cocina (aparato).
- Se pueden usar los ventiladores del cuarto de baño y de la campana de cocina para expulsar mejor el aire viciado.
- Los hogares con más de un nivel necesitan al menos un registro de salida en el nivel más alto.



AIRE FRESCO HACIA EL EDIFICIO:

- Instale registros en dormitorios, comedor, sala de estar y sótano.
- Instale los registros en el techo O en la parte alta de las paredes de modo que la corriente de aire vaya dirigida hacia el techo.
- Si hay que instalar un registro en el suelo, dirija la corriente de aire hacia la parte superior de la pared.

NOTA: Para este tipo de configuración, se debe seleccionar la opción T-1 en la pantalla LCD al auto balanceo del aparato.

2.2.2 SISTEMA EQUIPADO CON CONDUCTOS DE AIRE VICIADO (T-2) (NO SE PUEDE UTILIZAR EL MODO RECIRCULACIÓN CON ESTA CONFIGURACIÓN)

⚠ ADVERTENCIA

La conexión de los conductos al sistema central de aire forzado puede regularse por ciertos códigos y normas. Es su responsabilidad consultar y aplicar los requisitos locales para evitar incumplimiento.

AIRE VICIADO DEL EDIFICIO:

Igual que para el sistema totalmente equipado con conductos, descrito en el punto 2.2.1.

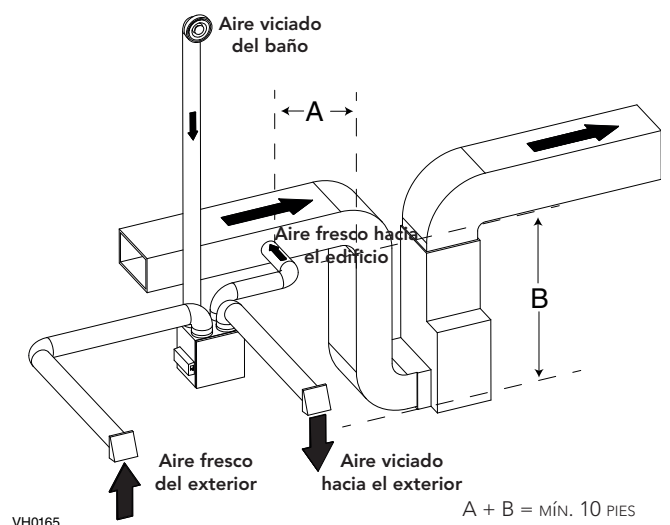
AIRE FRESCO HACIA EL EDIFICIO:

Conecte el conducto de distribución de aire fresco del aparato con el conducto de retorno del sistema central de aire forzado por lo menos a 10 pies de distancia del sistema central de aire forzado (A+B)*.

* Esta distancia de 10 pies se aplica solamente en zonas donde la temperatura exterior desciende por debajo del punto de congelación (32°F).

NOTA: El funcionamiento del ventilador impelente del sistema central de aire forzado puede sincronizarse con el aparato (véase la sección 3.3). Aunque no es esencial, se aconseja que el ventilador impelente del sistema central de aire forzado esté funcionando cuando el aparato esté en marcha.

NOTA: Para este tipo de configuración, se debe seleccionar la opción T-2 en la pantalla LCD al auto balanceo del aparato.

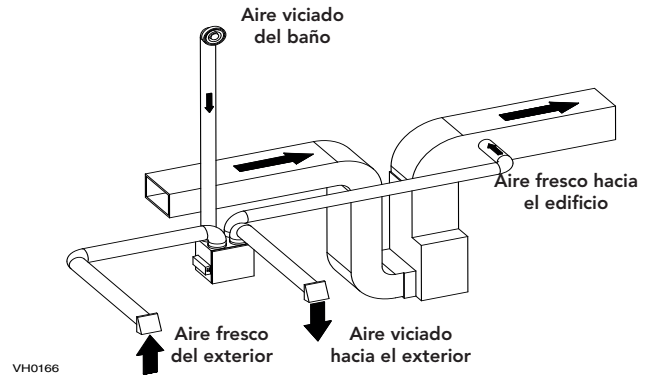


INSTALACIÓN ALTERNATIVA (T-3) (NO SE PUEDE UTILIZAR EL MODO RECIRCULACIÓN CON ESTA CONFIGURACIÓN)

El aparato debe sincronizarse con el funcionamiento del sistema central de aire forzado para evitar condensación y crecimiento del moho en los conductos de distribución del sistema central de aire forzado si el modo refrigeración del sistema central de aire forzado se utiliza.

PRECAUCIÓN
No se recomienda esta configuración con un sistema central de aire forzado de alta velocidad. Las presiones elevadas generadas por estos sistemas pueden provocar el mal funcionamiento del aparato y generar errores.

NOTA: Para este tipo de configuración, se debe seleccionar la opción T-3 en la pantalla LCD al auto balanceo del aparato.



2.2.3 INSTALACIÓN SIMPLIFICADA (T-4) (NO SE PUEDE UTILIZAR EL MODO RECIRCULACIÓN CON ESTA CONFIGURACIÓN)

PRECAUCIÓN
El sistema central de aire forzado debe estar sincronizado con el aparato porque la evacuación y la distribución de aire fresco proceden de la misma sección. El sistema central de aire forzado debe funcionar para evitar que el aire fresco sea directamente aspirado por la evacuación, lo que reduciría considerablemente el aporte de aire fresco al edificio. Véase la sección 3.3 por la conexión.

ADVERTENCIA
La conexión de los conductos al sistema central de aire forzado puede regularse por ciertos códigos y normas. Es su responsabilidad consultar y aplicar los requisitos locales para evitar incumplimiento.

El aire fresco y el aire de salida circulan a través de los conductos del sistema central de aire forzado, lo que simplifica la instalación. Se sugiere el uso de los ventiladores de los baños y de una campana de cocina para expulsar el aire viciado.

AIRE VICIADO DEL EDIFICIO:

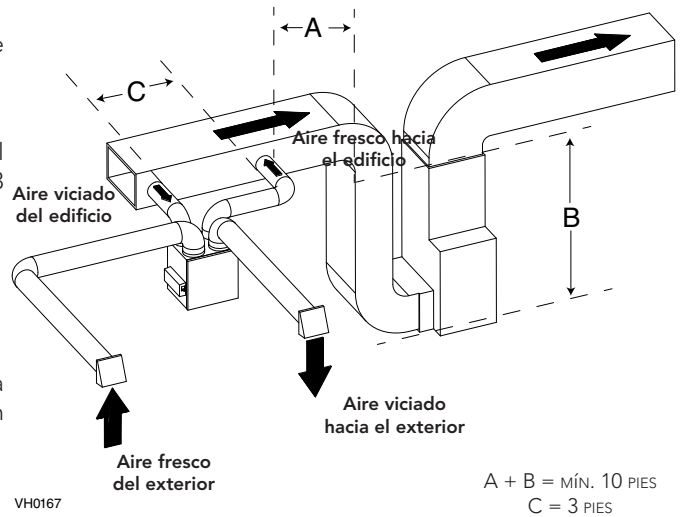
Conecte el puerto de admisión de aire viciado del aparato con el conducto de retorno del sistema central de aire forzado por lo menos 3 pies antes de la distribución de aire fresco del aparato.

AIRE FRESCO HACIA EL EDIFICIO:

Conecte el conducto de distribución de aire fresco del aparato con el conducto de retorno del sistema central de aire forzado por lo menos a 10 pies de distancia del sistema central de aire forzado (A+B)*.

* Esta distancia de 10 pies se aplica solamente en zonas donde la temperatura exterior desciende por debajo del punto de congelación (32°F).

NOTA: Para este tipo de configuración, se debe seleccionar la opción T-4 en la pantalla LCD al auto balanceo del aparato.

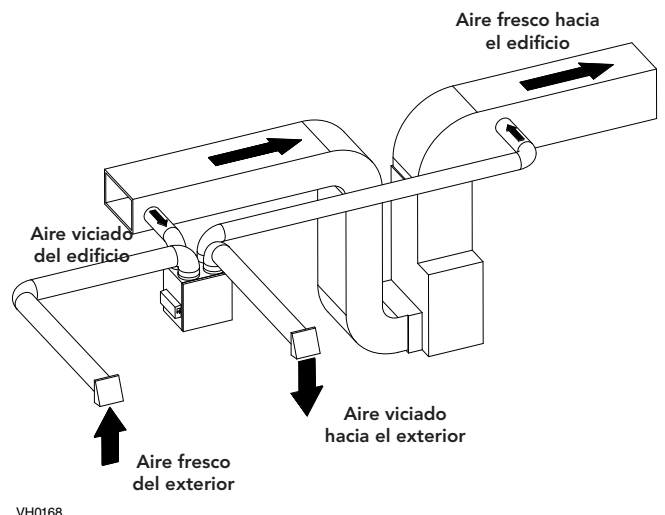


INSTALACIÓN ALTERNATIVA (T-5) (NO SE PUEDE UTILIZAR EL MODO RECIRCULACIÓN CON ESTA CONFIGURACIÓN)

El aparato debe sincronizarse con el funcionamiento del sistema central de aire forzado para evitar condensación y crecimiento del moho en los conductos de distribución del sistema central de aire forzado si el modo refrigeración del sistema central de aire forzado se utiliza.

PRECAUCIÓN
No se recomienda esta configuración con un sistema central de aire forzado de alta velocidad. Las presiones elevadas generadas por estos sistemas pueden provocar el mal funcionamiento del aparato y generar errores.

NOTA: Para este tipo de configuración, se debe seleccionar la opción T-5 en la pantalla LCD al auto balanceo del aparato.

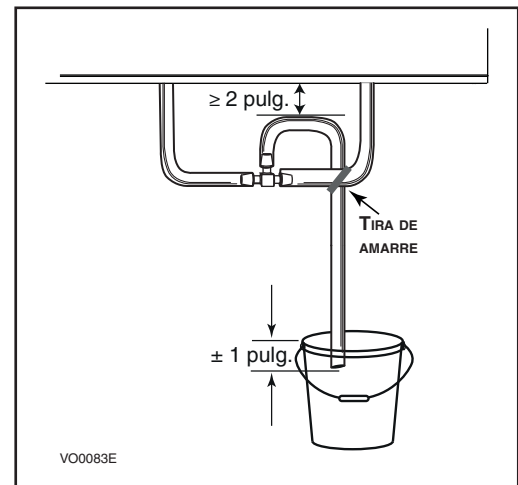
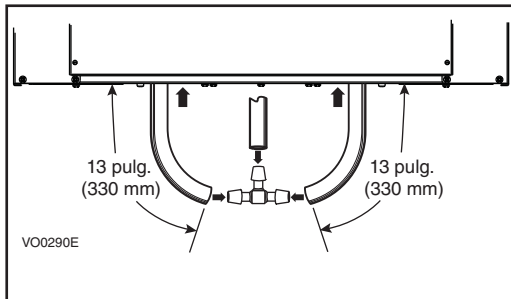


2.3 CONEXIÓN DEL DESAGÜE (HRV SOLAMENTE)

PRECAUCIÓN

Instalar el conducto de desagüe incluido y canalizarlo hacia un dren o un balde. Este aparato puede generar una gran cantidad de agua cuando hace frío. Es necesario instalar el conducto de desagüe adecuadamente para evitar todo daño y/o rotura de material.

- Corte la longitud apropiada de conducto de desagüe (véase las ilustraciones a continuación).
- Conecte el conducto al adaptador suministrado.
- Haga un bucle en el conducto de desagüe para evitar que el aparato saque olores desagradables de la fuente de desagüe.
- Agregue agua en el bucle para evitar ruido o silbido.
- Asegúrese de que hay una distancia mínima de 2 pulg. entre el aparato y el bucle en el conducto (véase la ilustración a continuación).
- Use la tira de amarre suministrada para sujetar el conducto tal como ilustrado a continuación.
- Lleve el conducto al desagüe del suelo, a otro conducto de desagüe o a un balde.
- **IMPORTANTE:** Si utiliza un balde para recoger el agua, sitúe el extremo del conducto a 1 pulg. aproximadamente de la parte superior del balde para evitar que el agua retroceda al aparato.

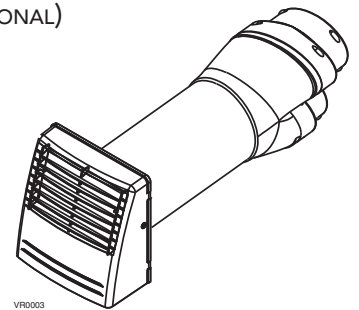


2.4 INSTALACIÓN DE LA BOCA EXTERIOR DOBLE CON EL KIT DE CAMBIO DE SECCIÓN TANDEM® (OPCIONAL)

Para los aparatos configurados a 110 pi³/min o menos, si lo desea, puede usar un kit de cambio de sección Tandem en lugar de 2 bocas exteriores; pero tenga en cuenta que este dispositivo generará una presión estática adicional de 0,2 pulg. de agua, según la instalación.

El espacio mínimo entre viguetas para instalar el cambio de sección Tandem es de 9¾ pulg. La altura máxima del cambio de sección Tandem es de 8¾ pulg.

Para conectar los conductos flexibles aislados al cambio de sección Tandem (aire viciado hacia el exterior y aire fresco desde el exterior), siga las instrucciones que vienen con el kit de cambio de sección Tandem (n.º de pieza VTYIK1).



2.5 INSTALACIÓN DE LAS BOCAS EXTERIORAS

Para evitar toda contaminación:

- Mantener una distancia de al menos 6 pies entre ambas bocas O usar el kit de cambio de sección Tandem (n.º de pieza VTYIK1).
- Instalar la/las boca(s) a una distancia mínima de 18 pulg. hasta el suelo O a la altura prevista de la acumulación de nieve si esta última es más importante.

⚠ ADVERTENCIA

Compruebe que la boca de entrada de aire esté al menos a 6 pies (1,8 m) de distancia de cualquiera de los siguientes elementos:

- Salida de secadora, de sistema central de aire forzado de alta eficiencia, de aspiradora central;
- Salida de contador de gas, barbacoa de gas;
- Cualquier salida de una fuente de combustión;
- Cubo de basura y cualquier otra fuente de contaminación.

Ignorar estas recomendaciones podría considerablemente deteriorar la calidad del aire que entra en la casa, lo que, en ciertos casos, podría tener repercusiones para la salud.

En caso de conflicto entre nuestras condiciones y los requisitos locales, prevalecerán estos últimos.

Consulte la ilustración de la derecha para el método de conexión correcto de los conductos aislados que van a las bocas. En las regiones donde se espera que caiga mucha nieve debe instalarse una boca de entrada antirráfagas.

2.6 CONEXIÓN DE LOS CONDUCTOS AL APARATO

PRECAUCIÓN

- Si los conductos han de pasar a través de un espacio no acondicionado (p. ej., un desván), use siempre conductos aislados para evitar la formación de condensación fuera o dentro del conducto, lo que podría provocar roturas de material y/o la aparición de moho.
- Nunca use tornillos para conectar conductos a los puertos con el fin de no perturbar el funcionamiento de las compuertas situadas dentro de los puertos. Una compuerta que no funciona podría congelar el aparato, lo que podría provocar roturas.

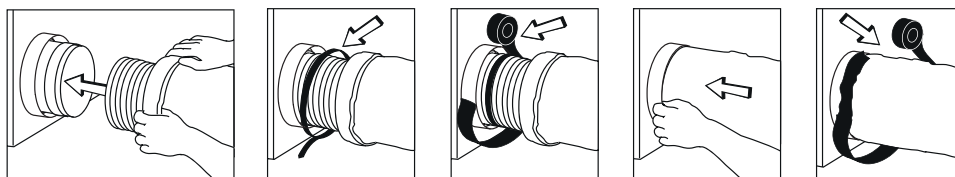
CONDUCTOS FLEXIBLES AISLADOS

Siga el método siguiente para conectar los conductos flexibles aislados a los puertos del aparato (de aire viciado hacia el exterior y de aire fresco desde el exterior).

1. Deje a la vista el conducto flexible, tirando hacia atrás el aislamiento y colóquelo **sobre** el anillo del puerto interior.
2. Sujete el conducto flexible al puerto mediante una tira de amarre.
3. Selle la junta con cinta adhesiva para conductos.
4. Tire del aislamiento y de la película impermeable al vapor sobre la junta, métalos **entre el anillo interior y el exterior** del cuello doble y sujételos con cinta adhesiva para conductos.

PRECAUCIÓN

La barrera de vapor debe permanecer intacta, sin aberturas o huecos. Una aberturas podría generar condensación fuera o dentro del conducto, lo que podría provocar roturas de material y/o la aparición de moho a largo plazo.



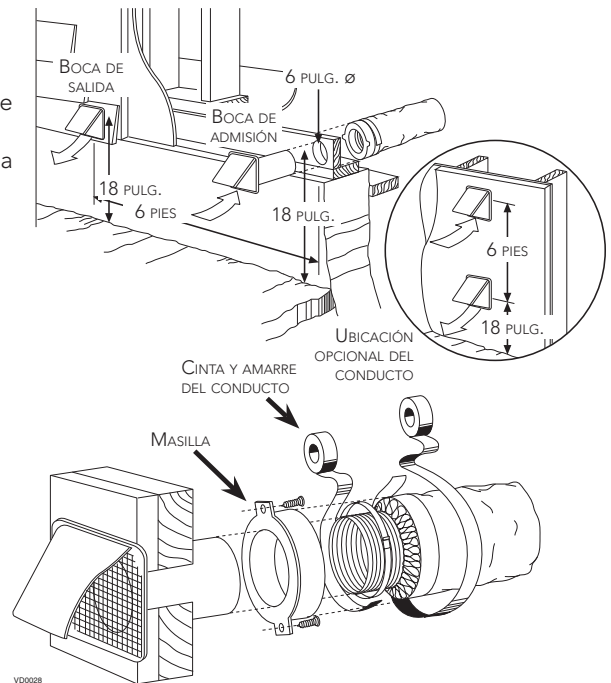
CAMBIO DE SECCIÓN A CONDUCTOS DE 6 PULG. (SOLO PARA APARATOS DE 110, 130 O 150 PI³/MIN)

Si utiliza conductos de 6 pulg., instale cambios de sección de 5 a 6 pulg. en los puertos, y sujételos con cinta adhesiva para conductos solamente. Si utiliza conductos rígidos, instale una sección de conducto flexible de 12 pulg. entre el cambio de sección y el conducto rígido (véase más arriba).

CONDUCTOS RÍGIDOS

Para evitar posibles fugas de agua en el aislamiento del conducto rígido del lado frío, selle todas las juntas de los conductos rígidos con cinta adhesiva para conductos. Para evitar la transmisión de vibraciones, use siempre una sección de conducto flexible de 12 pulg. para conectar los conductos rígidos al aparato. Para conectar los conductos rígidos aislados al aparato (lado frío) mediante conductos flexibles aislados, siga las instrucciones de la sección 2.5. Para conectar los conductos rígidos regulares (lado caliente) al aparato mediante conductos flexibles no aislados, utilice una tira de amarre.

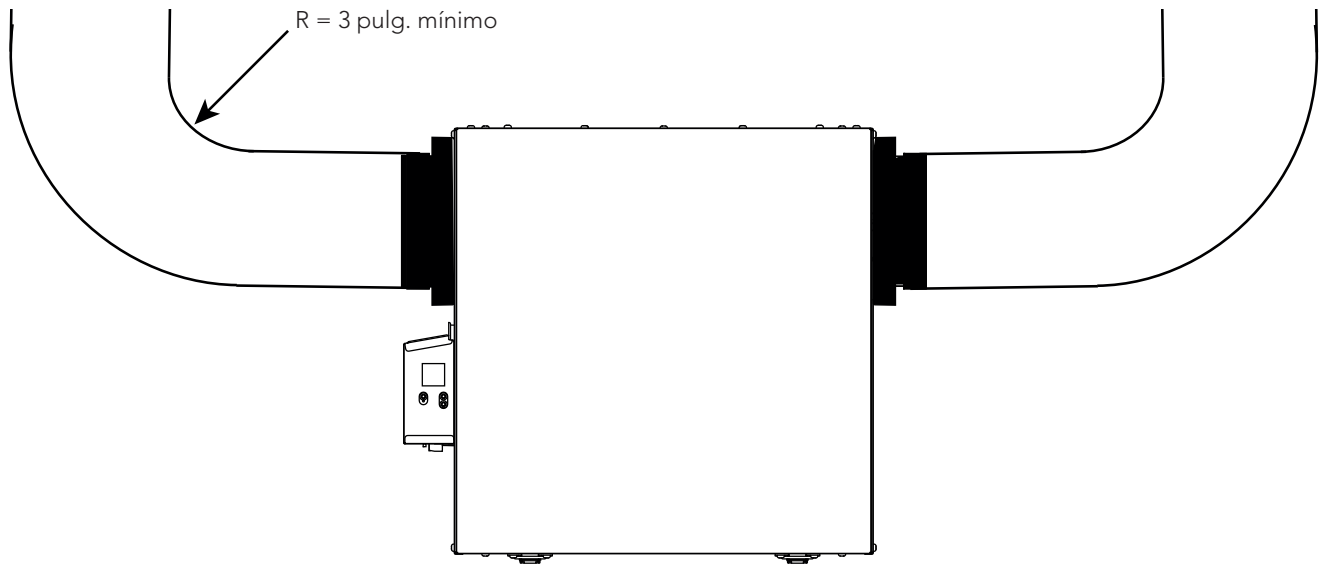
NOTA: Se recomienda utilizar conductos de 6 pulg. en lugar de 5 pulg. para los aparatos 150H75NT, 150H75NS, 150E75NT y 150E75NS si el flujo de aire necesario supera 130 pi³/min. Impedirá tener una presión estática demasiado alta en los conductos.



2.6.1 CONEXIÓN DE LOS CONDUCTOS

IMPORTANTE: Asegúrese de conectar los conductos como se ilustra a continuación para obtener una lectura precisa de los flujos de aire. Una instalación correcta también permitirá un drenaje adecuado del agua que se pueda acumular en los conductos.

INSTALACIÓN CORRECTA



VD0489

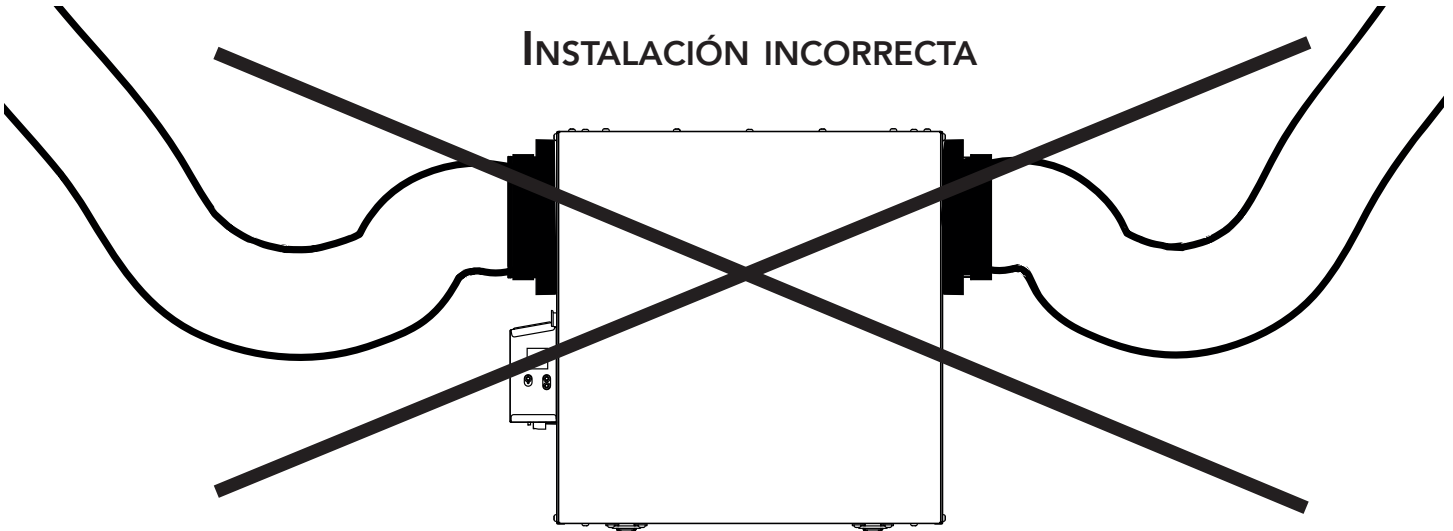
PRECAUCIÓN

Los conductos no deben estar demasiado aplastados. De lo contrario, la precisión de los flujos de aire será afectada.

PRECAUCIÓN

Los conductos aislados deben tener el mismo diámetro que los puertos para asegurar un drenaje adecuado del agua que se pueda acumular en los conductos.

INSTALACIÓN INCORRECTA



VD0490

NOTA: Instalar los conductos lo más recto posible, reducir el número de codos y diseños y instalar los conductos conforme al Manual D de ACCA.

3. CONEXIONES

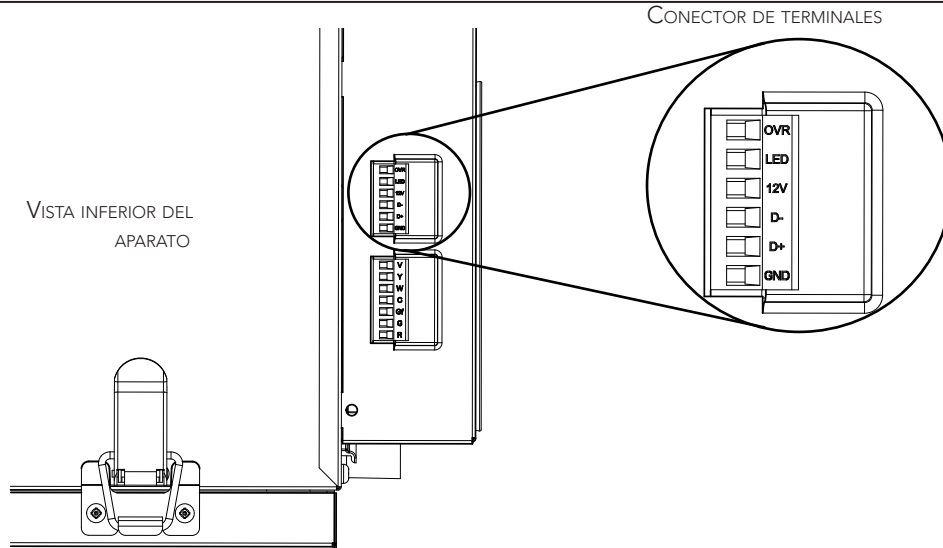
3.1 CONEXIÓN ELÉCTRICA CON EL CONTROL MURAL PRINCIPAL OPCIONAL

⚠ ADVERTENCIA

Desconecte siempre el aparato antes de efectuar cualquier conexión. De no cortar la alimentación, podría producirse un choque eléctrico o dañarse el control mural o el módulo electrónico dentro del aparato.

PRECAUCIÓN

No instale nunca más de un control mural principal opcional por aparato. Compruebe que los cables no se cortocircuiten entre ellos o tocando otros componentes del control mural. Evite las malas conexiones del cableado. Para reducir el riesgo de interferencia eléctrica (ruido), no pase los cables del control mural cerca de los contactores de control ni de circuitos de atenuación de la luz, motores eléctricos, alimentación de viviendas o edificios, cables de iluminación o tableros de distribución de energía.

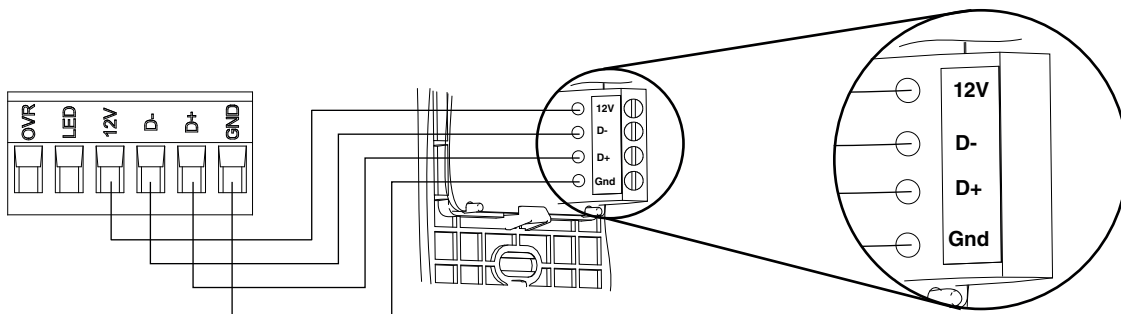


HD0491

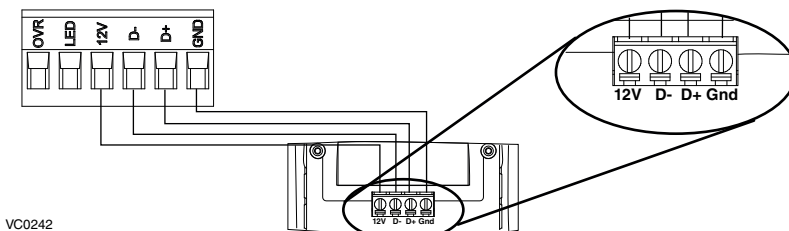
Use el conector de terminales incluido para realizar la conexión eléctrica de los controles murales principal y opcional. Verifique si todos los hilos han sido introducidos en los orificios correspondientes en el bloque de terminales. Use tornillos para sujetar los hilos en el conector de terminales. Una vez conectado el control o controles murales, introduzca el conector de terminales en el compartimento eléctrico.

NOTA: Para obtener información sobre el funcionamiento del control mural, consulte el Guía de instalación y del usuario, disponible en www.Broan-NuTone.com

3.1.1 CONEXIÓN ELÉCTRICA CON EL CONTROL MURAL PRINCIPAL OPCIONAL SELECTOR DE VELOCIDAD, DEHUMIDOSTATO O AUTOMÁTICO



3.1.2 CONEXIÓN ELÉCTRICA CON EL CONTROL MURAL PRINCIPAL OPCIONAL AVANZADO

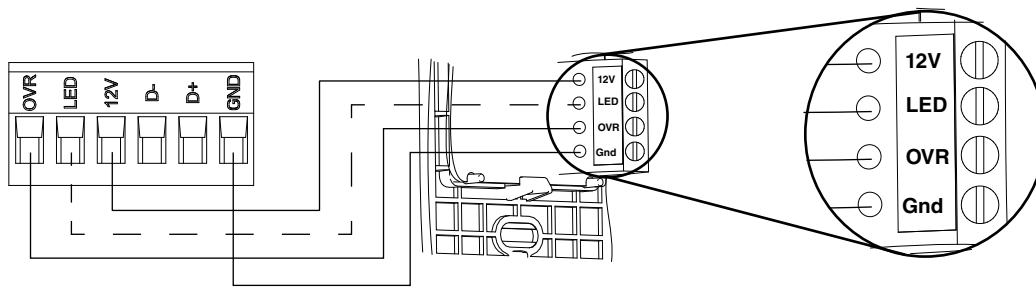


VC0242

3. CONEXIONES (CONT.)

3.2 CONEXIÓN ELÉCTRICA CON EL CONTROL MURAL AUXILIAR OPCIONAL

3.2.1 CONEXIÓN ELÉCTRICA CON EL CONTROL MURAL AUXILIAR OPCIONAL 20-40-60

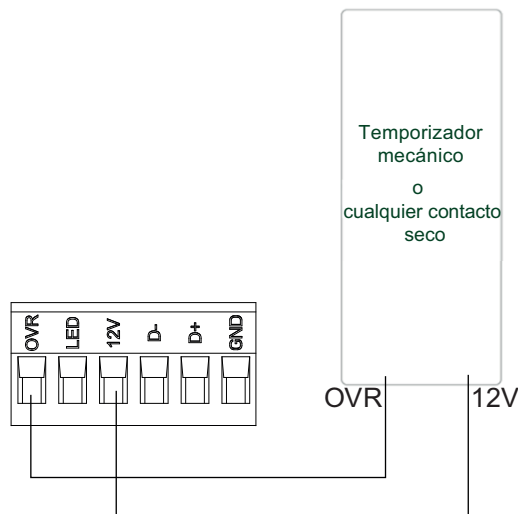


VC0243

Para configurar la opción OVR en la pantalla LCD, elija entre estas 3 configuraciones: BAL (el aparato permanece balanceado al mismo tiempo ofrece flujo de aire máximo), PER (el aparato está ligeramente desbalanceado ya que el motor de distribución está en velocidad MAX al mismo tiempo permite ventilación máxima a la salida) y DIS (el aparato está desbalanceado ya que la distribución de aire está constante a pesar de una mayor exigencia en ventilación a la salida).

NOTA: Se puede utilizar el control mural auxiliar con una conexión a 3 cables eliminando los indicadores LED. Este cableado opcional no permitirá una instalación con más de un control mural auxiliar para sincronizar correctamente sus indicadores LED para un evento requerido por un par. Sólo el control mural auxiliar que ha requerido el evento temporizador tendrá sus indicadores LED actualizados en consecuencia.

3.2.2 CONEXIÓN ELÉCTRICA CON EL CONTROL MURAL AUXILIAR OPCIONAL DE CONTACTO SECO (POR EJEMPLO TEMPORIZADOR MECÁNICO)



VC0256E

3.3 CONEXIÓN CON EL SISTEMA CENTRAL DE AIRE FORZADO

⚠ ADVERTENCIA

No conecte nunca un circuito de 120 voltios de corriente alterna a los terminales del interbloqueo del sistema central de aire forzado (cableado estándar). Utilice sólo el circuito de clase 2 de bajo voltaje del control del ventilador impelente del sistema central de aire forzado. El aparato está diseñado sólo para baja tensión. Enchufarlo a una tensión de 120 voltios lo dañaría inmediatamente.

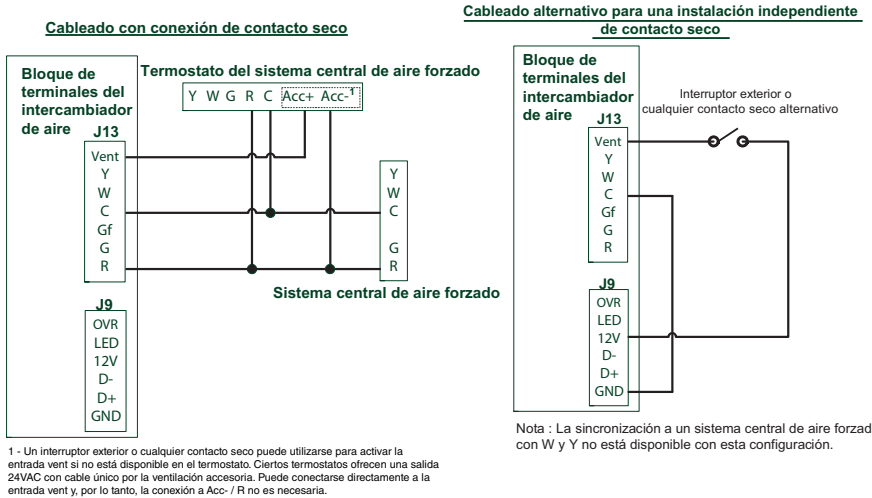
3.3.1 FUNCIONAMIENTO DEL APARATO USANDO UNA CONEXIÓN DE CONTACTO SECO

Si el termostato está equipado con una salida de ventilación opcional, es posible utilizarla para hacer funcionar el aparato.

Una vez hecha la conexión, el aparato alternará entre el modo espera, cuando el contacto está abierto, y el modo seleccionado, cuando el contacto está cerrado. Elija entre estas 4 configuraciones: mínimo (el aparato funciona en velocidad MIN), intermitente (el aparato funciona en velocidad MIN 20 min/hora y después conforme a la configuración de la opción INT durante 40 min), auto* (el aparato funciona en función de la temperatura exterior) y máximo (el aparato funciona en velocidad MAX) de la opción DRY en la pantalla LCD cuando el contacto VENT está activado. Consulte la sección 5 para más detalles.

* En modo auto, el aparato funciona de la manera siguiente:

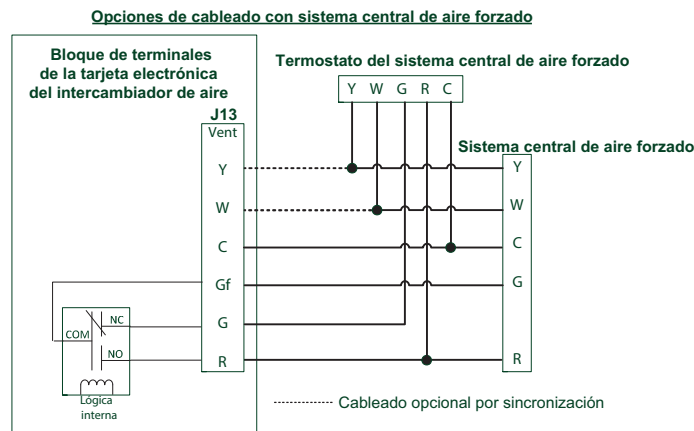
- Debajo -25°C = 10 min/hora
- -25°C a -7°C = 20 min/hora
- -7°C a 10°C = 40 min/hora
- 10°C a 25°C = velocidad MIN
- 25°C a 28°C = 30 min/hora
- 28°C a 33°C = 20 min/hora
- Por encima de 33°C = 10 min/hora



NOTA: Esta opción de contacto seco prevalecerá sobre el control mural principal. No recomendamos el uso conjunto de un control mural con este tipo de conexión.

NOTA: Según la instalación de los conductos y la temperatura, podría ser necesario que el aparato funcione de manera continua. Consulte la sección 2.2 para más detalles.

3.3.2 INTERCONEXIÓN DEL APARATO CON UN SISTEMA CENTRAL DE AIRE FORZADO (R/C/G/Gf)



Estas conexiones deben hacerse si quiere que el aparato imponga el funcionamiento del ventilador del sistema central de aire forzado cuando ventile (consulte líneas continuas en el diagrama anterior).

NOTA : Estas conexiones se requieren para la configuración de instalación T-4. Consulte la sección 2.2 para más detalles.

3.3.3 SINCRONIZACIÓN CON LA FUNCIÓN SISTEMA CENTRAL DE AIRE FORZADO

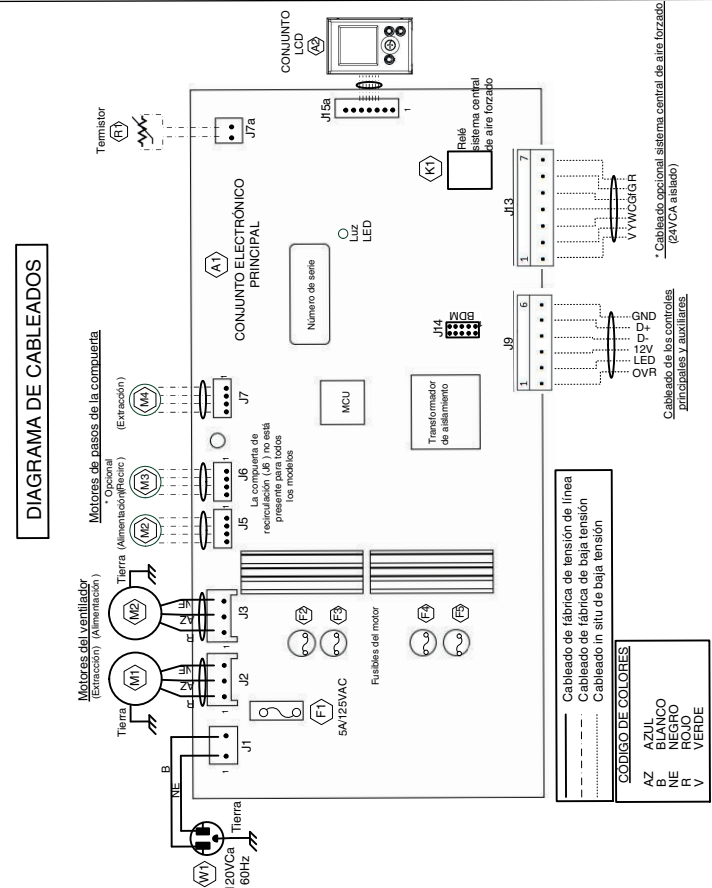
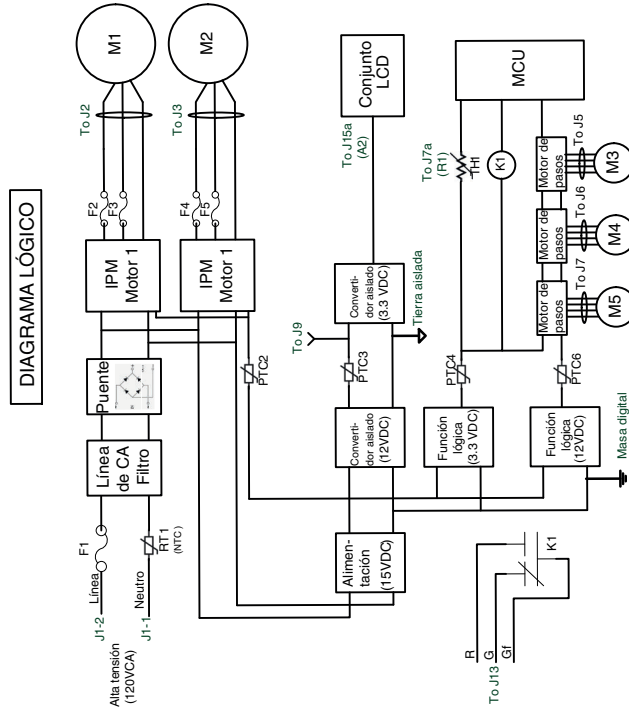
Virtuo Air technology™ permite sincronizar el funcionamiento del aparato con el tiempo de funcionamiento del sistema central de aire forzado. Evita innecesario tiempo de funcionamiento del sistema central de aire forzado además de proporcionar una mejor distribución del aire.

Para utilizar esta función, conexiones W e Y deben añadirse a las conexiones R e C para comunicar al aparato que el sistema central de aire forzado está en marcha (consulte las líneas punteadas en el diagrama anterior).

4. DIAGRAMA DE CABLEADOS

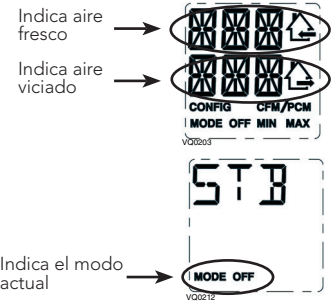
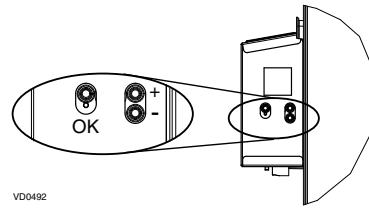
⚠ ADVERTENCIA

- Riesgo de descarga eléctrica. Antes de cualquier trabajo de reparación o mantenimiento, desconecte siempre el aparato de su fuente de alimentación.
- Este producto está equipado con una protección contra la sobrecarga (fusible). Un fusible fundido indica que se ha producido una sobrecarga o cortocircuito. Si el fusible se funde, desenchufe el aparato. Deje de utilizar el aparato y póngase en contacto con el servicio de asistencia técnica.



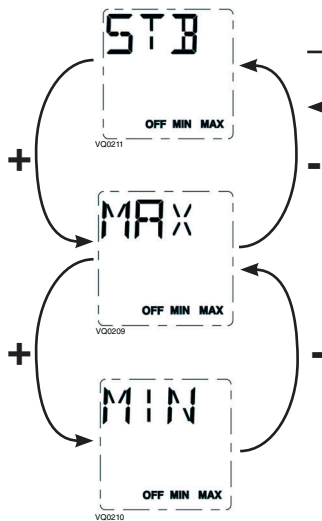
5. NAVEGACIÓN EN LA PANTALLA LCD

Botón OK	Para confirmar una selección.
Botón +	Para aumentar el valor.
	Para desplazarse hacia arriba en una selección.
Botón -	Para disminuir el valor.
	Para desplazarse hacia abajo en una selección.



PRESIONAR EL BOTÓN **OK** PARA CAMBIAR EL MODO DE FUNCIONAMIENTO
UTILIZAR EL BOTÓN + O - PARA SELECCIONAR EL MODO DE FUNCIONAMIENTO DESEADO.

PRESIONAR EL BOTÓN + O - PARA CAMBIAR EL PI³/MIN MÁXIMO, EL PI³/MIN MÍNIMO O LA CONFIGURACIÓN DE LAS OPCIONES.



PRESIONAR EL BOTÓN **OK** DURANTE 4 SEGUNDOS PARA CAMBIAR LA CONFIGURACIÓN DEL PI³/MIN MÁXIMO.

LOS DATOS DEL PI³/MIN MÁXIMO PARPADEARÁN.

UTILIZAR EL BOTÓN + PARA AUMENTAR EL VALOR O EL BOTÓN - PARA DISMINUIR EL VALOR.

PRESIONAR EL BOTÓN **OK** PARA CONFIRMAR EL VALOR.

PRESIONAR EL BOTÓN **OK** DURANTE 4 SEGUNDOS PARA CAMBIAR LA CONFIGURACIÓN DEL PI³/MIN MÍNIMO.

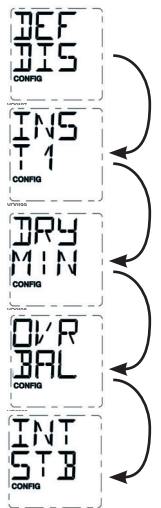
LOS DATOS DEL PI³/MIN MÍNIMO PARPADEARÁN.

UTILIZAR EL BOTÓN + PARA AUMENTAR EL VALOR O EL BOTÓN - PARA DISMINUIR EL VALOR.

PRESIONAR EL BOTÓN **OK** PARA CONFIRMAR EL VALOR.

PRESIONAR EL BOTÓN **OK** DURANTE 4 SEGUNDOS PARA CAMBIAR LA CONFIGURACIÓN DE LAS OPCIONES.

PARA CADA CONFIGURACIÓN DE OPCIÓN, UTILIZAR EL BOTÓN + PARA DESPLAZARSE HACIA ARRIBA EN LAS OPCIONES DISPONIBLES O EL BOTÓN - PARA DESPLAZARSE HACIA ABAJO EN LAS OPCIONES DISPONIBLES. UNA VEZ LA SELECCIÓN DE OPCIÓN HECHA, PRESIONAR EL BOTÓN **OK** PARA CONFIRMAR LA SELECCIÓN. LA PRÓXIMA CONFIGURACIÓN DE OPCIÓN APARECERÁ.



PRESIONAR EL BOTÓN **OK** PARA CONFIRMAR LA SELECCIÓN DEL MODO DE FUNCIONAMIENTO.

5.1 INDICADOR EN LA PANTALLA LCD

INDICADOR	DEFINICIÓN
STB	Modo espera
MED	Velocidad MED
INT	Modo intermitente
REC	Modo recirculación (velocidad MIN, MED o MAX)
AUT	Modo AUTO
SMT	Modo SMART
OVR 20	Auxiliar 20 min
OVR 40	Auxiliar 40 min
OVR 60	Auxiliar 60 min
OVR CNT	Auxiliar de contacto seco
AHU	Consulte la sección 6.3 para más detalles
HUM	Auxiliar humidostato o deshumidostato
TUR	Modo turbo
OTH	Modo ausencia o modo planificación
DEF	Modo deshielo
EXX o WXX (XX en referencia al número de error o advertencia)	Consulte la sección 8 para obtener la explicación de cada error o advertencia

5.2 PRIMER ARRANQUE DEL APARATO

PREPARACIÓN

Siga estas indicaciones para mediciones precisas:

- Obture todos los conductos con cinta adhesiva. Cierre todas las ventanas y puertas.
- Apague todos los dispositivos de extracción, como la campana de cocina, la secadora y los ventiladores del baño.
- Si la instalación está de alguna manera conectada a un conducto de un sistema central de aire forzado, asegúrese de que el ventilador impelente del sistema central de aire forzado esté encendido. De no ser así, deje el ventilador impelente del sistema central de aire forzado apagado.

PROCEDIMIENTO DE AUTO BALANCEO

- Enchufar el aparato y esperar hasta que el pi^3/min máximo aparezca en la pantalla LCD. Al primer proceso de arranque, necesitará más tiempo para obtener la información puesto que los motores deben precalentar.
- El pi^3/min máximo aparecerá en la pantalla LCD. Utilizar (+/-) para ajustar el pi^3/min y OK para confirmar.
- El pi^3/min mínimo aparecerá en la pantalla LCD. Utilizar (+/-) para ajustar el pi^3/min y OK para confirmar.

SELECCIÓN DE LA CONFIGURACIÓN DE INSTALACIÓN

- INS aparecerá en la pantalla LCD. Elija entre T-1, T-2, T-3, T-4 o T-5 conforme a la configuración de instalación (consulte la sección 2.2 para más detalles).
- El auto balanceo está completado.

5.3 CAMBIO DE AJUSTES

5.3.1 PROCEDIMIENTO PARA CAMBIAR EL AJUSTE DEL pi^3/MIN MÍNIMO

- Acceder a MIN utilizando (+/-) después presionar el botón OK durante 4 segundos.
- Utilizar (+/-) para aumentar/disminuir el pi^3/min y OK para confirmar.

5.3.2 PROCEDIMIENTO PARA CAMBIAR EL AJUSTE DEL pi^3/MIN MÁXIMO

- Acceder a MAX utilizando (+/-) después presionar el botón OK durante 4 segundos.
- Utilizar (+/-) para aumentar/disminuir el pi^3/min y OK para confirmar.

5.3.3 PROCEDIMIENTO PARA CAMBIAR EL AJUSTE DE LAS OPCIONES

- Acceder a CFG OPT utilizando (+/-) después presionar el botón OK durante 4 segundos.

Opciones	Configuraciones disponibles
DEF (Deshielo)	DIS* (Discreción - deshielo sin variación de velocidad para mayor comodidad), PLU (Plus - deshielo prolongado en un clima más frío).
INS (Instalación)	T-1, T-2, T-3, T-4*, T-5 (consulte la sección 2.2)
DRY (Contacto seco)	MIN* (Mínimo), INT (Intermitente), AUT (AUTO), MAX (Máximo) (consulte la sección 3.3.1)
OVR (Auxiliar)	BAL* (Balanceado), PER (Rendimiento), DIS (Discreción) (consulte la sección 3.2.1)
INT (Intermitente)	STB* (Espera - 20 min en modo MIN y 40 min en modo espera), REC** (Recirculación - 20 min en velocidad MIN y 40 min en modo recirculación)**REC (Recirculación) configuración no está disponible para las configuraciones de instalación T-2 a T-5 ni para los aparatos 150H75NT, 150H75NS, 150E75NT y 150E75NS. NOTA: Según la instalación de los conductos y la temperatura, podría ser necesario que el aparato funcione de manera continua. Consulte la sección 2.2 para más detalles.

* Ajuste de fábrica

NOTA: Si no se confirma la selección dentro de 10 minutos, el aparato saldrá del menú sin guardar los cambios.

5.4 REINICIALIZACIÓN DE LOS AJUSTES DE FÁBRICA

Si se hace una modificación a los conductos, reinicializar los parámetros para reiniciar la prueba del flujo de aire.

PROCEDIMIENTO PARA REINICIALIZAR LOS AJUSTES

Presionar simultáneamente los botones OK y (-) durante 4 segundos. Utilizar (+/-) para seleccionar Yes o No y OK para confirmar. Después realizar el procedimiento de auto balanceo.

6. USO DE ESTE APARATO

6.1 SU SISTEMA DE VENTILACIÓN

Este aparato de ventilación balanceado está pensado para proporcionar aire fresco a su casa y extraer el aire viciado y húmedo. Gracias a su unidad de recuperación de energía/de calor, el aparato recupera una gran proporción de la calor o energía que forma parte del aire interior o exterior conforme a las estaciones para mejorar la comodidad y la eficiencia energética durante los periodos de calentamiento y de enfriamiento. Con Virtuo Air Technology™, este aparato responde a las variaciones de su entorno de manera autónoma, garantizando un nivel adecuado de ventilación y de calidad del aire. Este aparato ofrece también modos automáticos (AUTO o SMART) que gestionan de manera autónoma el nivel de ventilación requerido conforme a las condiciones interiores y/o exteriores. En las zonas más frías, el aparato realizará, a intervalos, un deshielo discreto de la unidad de recuperación para mantener rendimiento y comodidad.

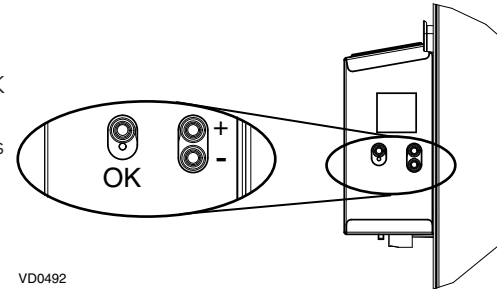
6.2 CONTROL INTEGRADO

Todos los aparatos están equipados con un control integrado situado delante del compartimento eléctrico. Para mayor comodidad, estos aparatos pueden controlarse mediante un control mural opcional o el termostato del sistema central de aire forzado provisto con la activación del ventilador exterior.

SELECCIÓN DEL MODO

1. Para cambiar el modo, utilizar (+/-) para acceder a la pantalla modo. Presionar OK para editar el modo y utilizar (+/-) para cambiar el modo (Standby, Min, Max).
2. Presionar OK para confirmar la selección. Los pi^3/min aparecerán en los dos modos (MIN y MAX).

NOTA: Si un control mural auxiliar opcional o el termostato del sistema central de aire forzado provisto con la activación del ventilador exterior se utiliza, eso invalida el control integrado.

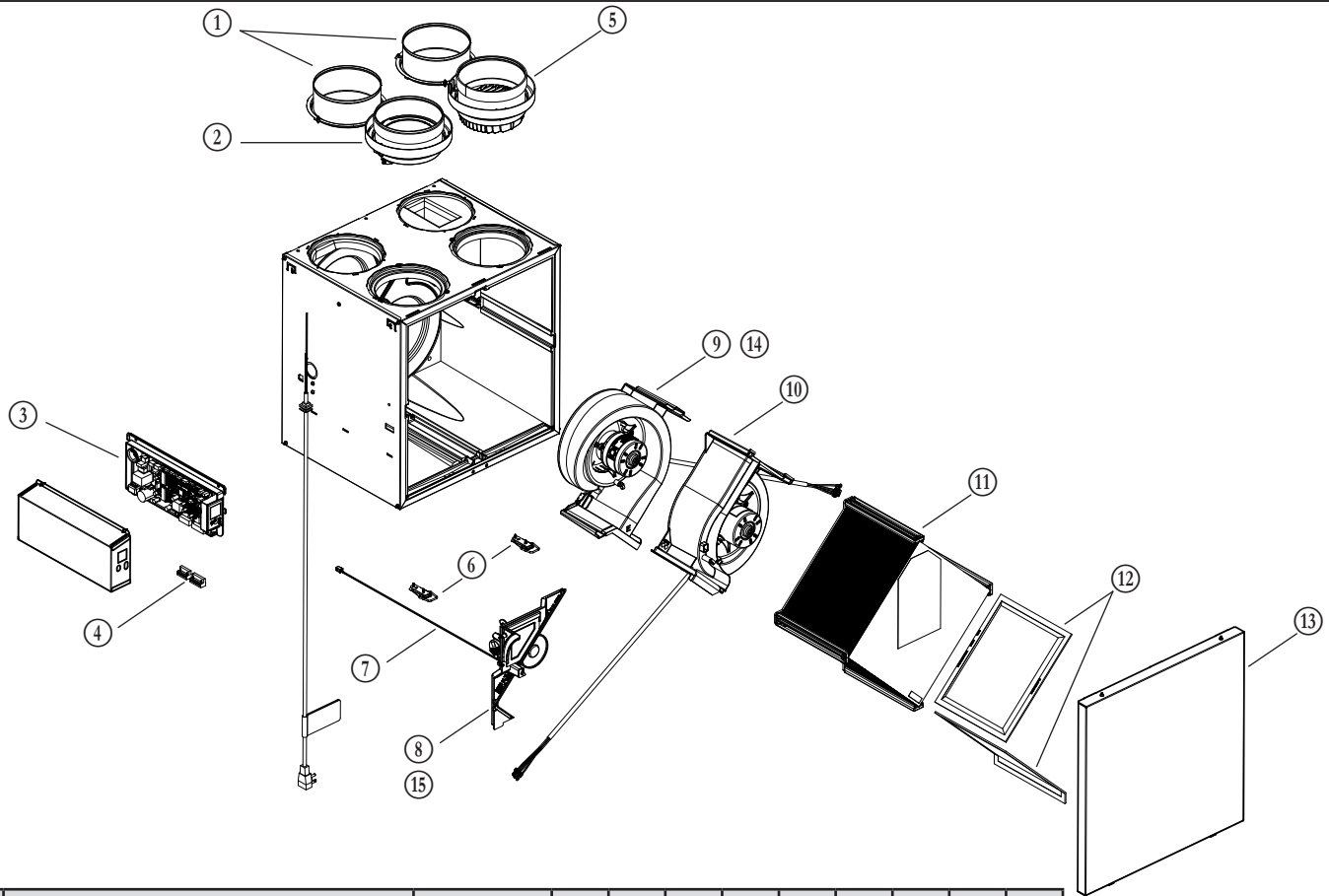


VD0492

6.3 INDICADOR MODO AHU

Según la configuración y/o la instalación del aparato, el aparato podría no ser capaz de alcanzar el pi^3/min mínimo deseado. Esta situación se puede producir con las configuraciones T-2 a T-5. En tal caso, AHUXX (XX hace referencia al pi^3/min mínimo deseado) aparecerá en la pantalla LCD. En modo AHU, el aparato funciona en modo intermitente para alcanzar el pi^3/min mínimo deseado. La duración del modo intermitente varía según el valor del pi^3/min mínimo deseado.

7. PIEZAS DE RECAMBIO



VL0086

Nº	DESCRIPCIÓN	NÚMERO DE PIEZA																		
			B110H65RT	B110H65RS	B130H65RT	B130H65RS	B130E65RT	B130E65RS	B160H65RT	B160H65RS	B160E65RT	B160E65RS	B160H75RT	B160H75RS	B160E75RT	B160E75RS	B150H75NT	B150H75NS	B150E75NT	B150E75NS
1	Puerto 6 pulg. lado caliente	SV66139						2	2	2	2									
	Puerto 5 pulg. lado caliente	SV66140	2	2	2											2	2			
2	Puerto de metal 6 pulg. compuerta motorizada	SV66135						1	1	1	1									
	Puerto de metal 5 pulg. compuerta motorizada	SV66136	1	1	1											1	1			
3	Conjunto electrónico	SV66144**	1	1	1	1	1	1	1	1	1	1	1	1	1	1	1	1	1	1
4	Bloque de terminales	SV66145	1	1	1	1	1	1	1	1	1	1	1	1	1	1	1	1	1	1
5	Conjunto puerto de escape 6 pulg.	SV66137						1	1	1	1									
	Conjunto puerto de escape 5 pulg.	SV66138	1	1	1											1	1			
6	Cerraduras y guardianes de puerta	SV66128	1	1	1	1	1	1	1	1	1	1	1	1	1	1	1	1	1	1
7	Termistor	SV66134	1	1	1	1	1	1	1	1	1	1	1	1	1	1	1	1	1	1
8	Compuerta de recirculación con termistor	SV66148	1	1	1	1	1	1	1	1	1	1	1	1						
9	Ventilador de evacuación con compuerta	SV66142	1	1	1	1	1	1	1	1	1	1	1	1	1	1	1	1	1	1
10	Conjunto ventilador de alimentación	SV66141	1	1	1	1	1	1	1	1	1	1	1	1	1	1	1	1	1	1
11	Núcleo ERV 65 %	SV66113				1				1										
	Núcleo ERV 75 %	SV66114													1					1
	Núcleo HRV 65 %	SV66115	1	1				1												
	Núcleo HRV 75 %	SV66116											1			1				
12	Kit de filtros MERV8	SV66133	1	1	1	1	1	1	1	1	1	1	1	1	1	1	1	1	1	1
13	Puerta	SV66150	1	1	1	1	1	1	1	1	1	1	1	1	1	1	1	1	1	1
14	Compuerta de escape	SV66143	1	1	1	1	1	1	1	1	1	1	1	1	1	1	1	1	1	1
15	Separador CE con termistor	SV66149																	1	1
*	Bolsa de piezas	SV66146	1	1	1	1	1	1	1	1	1	1	1	1	1	1	1	1	1	1
*	Fusible para la tarjeta electrónica	SV66147	1	1	1	1	1	1	1	1	1	1	1	1	1	1	1	1	1	1
*	Conducto ½ pulg.	SV00592	1	1	1	1	1	1	1	1	1	1	1	1	1	1	1	1	1	1

* No se muestra.

** Consulte la página siguiente para obtener el número de pieza que corresponde al modelo del aparato de ventilación.

REPUESTOS Y REPARACIONES

Para que el aparato de ventilación esté en buenas condiciones, sólo debe utilizar repuestos genuinos de Broan-NuTone LLC. Los repuestos genuinos de Broan-NuTone LLC han sido diseñados especialmente para cada aparato, se han fabricado de conformidad con todas las normas de certificación aplicables y ofrecen un alto nivel de seguridad. El uso de repuestos diferentes puede provocar daños graves y reducir drásticamente el nivel de rendimiento del aparato, lo cual podría causar una avería prematura. Broan-NuTone LLC recomienda ponerse en contacto con un almacén de servicio certificado para todos los repuestos y reparaciones.

7. PIEZAS DE RECAMBIO (CONT.)

NÚMERO DE PIEZA DEL CONJUNTO ELECTRÓNICO	MODELO DEL APARATO DE VENTILACIÓN																		
	B110H65RS	B110H65RT	B130H65RS	B130H65RT	B160H65RS	B160H65RT	B150H75NS	B150H75NT	B160H75RS	B160H75RT	B130E65RS	B130E65RT	B160E65RS	B160E65RT	B150E75NS	B150E75NT	B160E75RS	B160E75RT	
SV66144-01	X																		
SV66144-02		X																	
SV66144-03			X																
SV66144-04				X															
SV66144-05					X														
SV66144-06						X													
SV66144-07							X												
SV66144-08								X											
SV66144-09									X										
SV66144-10										X									
SV66144-11											X								
SV66144-12												X							
SV66144-13													X						
SV66144-14														X					
SV66144-15															X				
SV66144-16																X			
SV66144-17																	X		
SV66144-18																		X	

8. SOLUCIÓN DE PROBLEMAS DEL INSTALADOR

⚠ ADVERTENCIA

Se aconseja llevar guantes y gafas de protección porque algunos procedimientos de diagnóstico pueden exigir que el aparato esté funcionando durante el procedimiento. Tenga cuidado con las piezas móviles y los componentes eléctricos para evitar todo riesgo de lesiones.

ERROR	DESCRIPCIÓN	SOLUCIÓN
E01	Posición compuerta alimentación	<p>ETAPA 1: Desenchufar el aparato, verificar el sistema de compuertas, retirar cualquier obstáculo indeseable o suciedad (puede ser necesario quitar los filtros y el núcleo para acceder al sistema de compuertas). Enchufar el aparato.</p> <p>Si la ETAPA 1 no arregló el problema, realizar la ETAPA 2: Abrir el compartimento eléctrico, verificar si el conector J5 (blanco) está bien insertado, verificar si hay cables sueltos.</p> <p>Si la ETAPA 2 no arregló el problema, realizar la ETAPA 3: Si la compuerta no se mueve, desenchufar J7 (rojo) de la tarjeta electrónica, conectar el conector blanco del sistema de compuertas en J7. Si la compuerta mueve (el sistema sigue indicando un error), reemplazar el conjunto electrónico. Si no funciona, reemplazar el sistema de compuertas.</p>
E02	Parada compuerta alimentación	
E03	Compuerta alimentación	
E05	Posición compuerta salida	<p>ETAPA 1: Desenchufar el aparato, verificar el sistema de compuertas, retirar cualquier obstáculo indeseable o suciedad (puede ser necesario quitar los filtros y el núcleo para acceder al sistema de compuertas). Enchufar el aparato.</p> <p>Si la ETAPA 1 no arregló el problema, realizar la ETAPA 2: Abrir el compartimento eléctrico, verificar si el conector J7 (rojo) está bien insertado, verificar si hay cables sueltos.</p> <p>Si la ETAPA 2 no arregló el problema, realizar la ETAPA 3: Si la compuerta no se mueve, desenchufar J5 (blanco) de la tarjeta electrónica, conectar el conector blanco del sistema de compuertas en J5. Si la compuerta mueve (el sistema sigue indicando un error), reemplazar el conjunto electrónico. Si no funciona, reemplazar el sistema de compuertas.</p>
E06	Parada compuerta salida	
E07	Compuerta salida	
E09	Posición compuerta recirculación	<p>ETAPA 1: Desenchufar el aparato, verificar el sistema de compuertas, retirar cualquier obstáculo indeseable o suciedad (puede ser necesario quitar los filtros y el núcleo para acceder al sistema de compuertas). Enchufar el aparato.</p> <p>Si la ETAPA 1 no arregló el problema, realizar la ETAPA 2: Abrir el compartimento eléctrico, verificar si el conector J6 (azul) está bien insertado, verificar si hay cables sueltos.</p> <p>Si la ETAPA 2 no arregló el problema, realizar la ETAPA 3: Si la compuerta no se mueve, desenchufar J5 (blanco) de la tarjeta electrónica, conectar el conector azul del sistema de compuertas en J5. Si la compuerta mueve (el sistema sigue indicando un error), reemplazar el conjunto electrónico. Si no funciona, reemplazar el sistema de compuertas.</p>
E10	Parada compuerta recirculación	
E11	Compuerta recirculación	
E22	Flujo de aire alimentación	<p>ETAPA 1: Comprobar visualmente el sistema de compuertas de alimentación. Limpiar los filtros, los registros de distribución y las bocas de admisión exteriores. Inspeccionar los conductos para asegurarse que no están comprimidos o doblados.</p> <p>Si la ETAPA 1 no arregló el problema, realizar la ETAPA 2: Retirar los conductos de la línea de alimentación. En la pantalla LCD, seleccionar MAX para verificar si el aparato puede lograr el flujo seleccionado. En caso de que así sea, verificar la línea de los conductos.</p> <p>Si la ETAPA 2 no arregló el problema, realizar la ETAPA 3: En la pantalla LCD, seleccionar los valores de ajuste de los flujos MIN y MAX y después reinicializar el aparato. El valor de flujo MAX aparecerá en la pantalla LCD. Si el flujo MAX es superior al flujo MAX deseado, ajustar los flujos MAX y MIN.</p> <p>Si la ETAPA 3 no arregló el problema, realizar la ETAPA 4: Reemplazar el ventilador de alimentación y repetir la ETAPA 3.</p> <p>Si la ETAPA 4 no arregló el problema, realizar la ETAPA 5: Reemplazar el conjunto electrónico.</p>
E23	Motor alimentación (sobrecarga motor)	<p>ETAPA 1: Desenchufar/enchufar el aparato.</p> <p>Si la ETAPA 1 no arregló el problema, realizar la ETAPA 2: Quitar el núcleo y retirar cualquier obstáculo o suciedad de la rueda de ventilación.</p> <p>Si la ETAPA 2 no arregló el problema, realizar la ETAPA 3: Desconectar J2 (blanco) y conectar un sistema de ventilador de repuesto. Si funciona, reemplazar el ventilador de alimentación.</p> <p>Si la ETAPA 3 no arregló el problema, realizar la ETAPA 4: Reemplazar el conjunto electrónico.</p>
E27	Motor alimentación (sobretensión motor)	
E28	Motor alimentación (duración motor)	
E29	Motor alimentación (inicio)	
E24	Motor alimentación (sobretensión motor)	<p>ETAPA 1: Desenchufar/enchufar el aparato. Sobretensión y subtensión se pueden observar con una fuerte fluctuación de la alimentación eléctrica de la casa y se pueden apagar el motor para protegerlo.</p> <p>Si la ETAPA 1 no arregló el problema, realizar la ETAPA 2: Reemplazar el conjunto electrónico.</p>
E25	Motor alimentación (subtensión motor)	

8. SOLUCIÓN DE PROBLEMAS DEL INSTALADOR (CONT.)

ERROR	DESCRIPCIÓN	SOLUCIÓN
E26	Motor alimentación (sobrecalentamiento motor)	ETAPA 1: Validar si el intercambiador de aire es expuesto a temperaturas ambiente dentro de los límites de funcionamiento (ver p. 4) Si la ETAPA 1 no arregló el problema, realizar la ETAPA 2: Reemplazar el conjunto electrónico.
E32	Flujo de aire a la salida	ETAPA 1: Comprobar visualmente el sistema de compuertas de salida. Limpiar los filtros, los registros de distribución y las bocas de admisión exteriores. Inspeccionar los conductos para asegurarse que no están comprimidos o doblados. Si la ETAPA 1 no arregló el problema, realizar la ETAPA 2: Retirar los conductos de la línea de alimentación. En la pantalla LCD, seleccionar MAX para verificar si el aparato puede lograr el flujo seleccionado. En caso de que así sea, verificar la línea de los conductos. Si la ETAPA 2 no arregló el problema, realizar la ETAPA 3: En la pantalla LCD, seleccionar los valores de ajuste de los flujos MIN y MAX y después reinicializar el aparato. El valor de flujo MAX aparecerá en la pantalla LCD. Si el flujo MAX es superior al flujo MAX deseado, ajustar los flujos MAX y MIN. Si la ETAPA 3 no arregló el problema, realizar la ETAPA 4: Reemplazar el ventilador de salida y repetir la ETAPA 3. Si la ETAPA 4 no arregló el problema, realizar la ETAPA 5: Reemplazar el conjunto electrónico.
E33	Motor a la salida (sobrecarga motor)	ETAPA 1: Desenchufar/enchufar el aparato. Si la ETAPA 1 no arregló el problema, realizar la ETAPA 2: Quitar el núcleo y retirar cualquier obstáculo o suciedad de la rueda de ventilación.
E37	Motor a la salida (duración motor)	Si la ETAPA 2 no arregló el problema, realizar la ETAPA 3: Desconectar J3 (rojo) y conectar un sistema de ventilador de repuesto. Si funciona, reemplazar el ventilador de salida.
E38	Motor a la salida (retroalimentación velocidad motor)	Si la ETAPA 3 no arregló el problema, realizar la ETAPA 4: Reemplazar el conjunto electrónico.
E39	Motor a la salida (inicio)	
E34	Motor a la salida (sobretensión motor)	ETAPA 1: Desenchufar/enchufar el aparato. Sobretensión y subtensión se pueden observar con una fuerte fluctuación de la alimentación eléctrica de la casa y se pueden apagar el motor para protegerlo.
E35	Motor a la salida (subtensión motor)	Si la ETAPA 1 no arregló el problema, realizar la ETAPA 2: Reemplazar el conjunto electrónico.
E36	Motor a la salida (sobrecalentamiento motor)	ETAPA 1: Validar si el intercambiador de aire es expuesto a temperaturas ambiente dentro de los límites de funcionamiento (ver p. 4) Si la ETAPA 1 no arregló el problema, realizar la ETAPA 2: Reemplazar el conjunto electrónico.
E40	Termistor aire exterior	ETAPA 1: Verificar si el termistor está bien conectado en el conector J7A. Si la ETAPA 1 no arregló el problema, realizar la ETAPA 2: Desconectar conector J7A y verificar si la resistencia medida (conector del termistor) es dentro de 5 Kohms a 120 Kohms. Si está fuera del rango, reemplazar el termistor. Si la ETAPA 2 no arregló el problema, realizar la ETAPA 3: Reemplazar el conjunto electrónico.
E41	Termistor distribución del aire	ETAPA 1: Verificar si el termistor está bien conectado en el conector J7B. Si la ETAPA 1 no arregló el problema, realizar la ETAPA 2: Desconectar conector J7B y verificar si la resistencia medida (conector del termistor) es dentro de 5 Kohms a 120 Kohms. Si está fuera del rango, reemplazar el termistor. Si la ETAPA 2 no arregló el problema, realizar la ETAPA 3: Reemplazar el conjunto electrónico.
E42	Termistor conjunto tarjeta electrónica	ETAPA 1: Reemplazar el conjunto electrónico.
E43	Temperatura tarjeta electrónica supera el límite	ETAPA 1: Validar si el intercambiador de aire es expuesto a temperaturas ambiente dentro de los límites de funcionamiento (ver p. 4) Si la ETAPA 1 no arregló el problema, realizar la ETAPA 2: Reemplazar el conjunto electrónico.
E50	Pérdida comunicación con el control	ETAPA 1: Desenchufar el aparato, comprobar los cables, enchufar el aparato. Si la ETAPA 1 no arregló el problema, realizar la ETAPA 2: Retirar el control mural de la pared y probar con un cable corto. Si funciona, llevar un nuevo cable a la ubicación de instalación en la pared. Si la ETAPA 2 no arregló el problema, realizar la ETAPA 3: Probar el intercambiador de aire con un control mural de repuesto. Si funciona, reemplazar el control mural. Si la ETAPA 3 no arregló el problema, realizar la ETAPA 4: Reemplazar el conjunto electrónico.
E51	Sensor control mural	ETAPA 1: Desenchufar el aparato, comprobar los cables, enchufar el aparato. Si la ETAPA 1 no arregló el problema, realizar la ETAPA 2: Reemplazar el control mural.
E60	Modo protección	ETAPA 1: Realizar una inspección general del aparato (compuertas, núcleo, filtros).

8. SOLUCIÓN DE PROBLEMAS DEL INSTALADOR (CONT.)

ADVERTENCIA	DESCRIPCIÓN	SOLUCIÓN
W22	Flujo de aire alimentación	<p>ETAPA 1: Comprobar visualmente el sistema de compuertas de alimentación. Limpiar los filtros, los registros de distribución y las bocas de admisión exteriores. Inspeccionar los conductos para asegurarse que no están comprimidos o doblados.</p> <p>Si la ETAPA 1 no arregló el problema, realizar la ETAPA 2: Retirar los conductos de la línea de alimentación. En la pantalla LCD, seleccionar MAX para verificar si el aparato puede lograr el flujo seleccionado. En caso de que así sea, verificar la línea de los conductos.</p> <p>Si la ETAPA 2 no arregló el problema, realizar la ETAPA 3: En la pantalla LCD, seleccionar los valores de ajuste de los flujos MIN y MAX y después reinicializar el aparato. El valor de flujo MAX aparecerá en la pantalla LCD. Si el flujo MAX es superior al flujo MAX deseado, ajustar los flujos MAX y MIN.</p> <p>Si la ETAPA 3 no arregló el problema, realizar la ETAPA 4: Reemplazar el ventilador de alimentación y repetir la ETAPA 3.</p> <p>Si la ETAPA 4 no arregló el problema, realizar la ETAPA 5: Reemplazar el conjunto electrónico.</p>
W32	Flujo de aire a la salida	<p>ETAPA 1: Comprobar visualmente el sistema de compuertas de salida. Limpiar los filtros, los registros de distribución y las bocas de admisión exteriores. Inspeccionar los conductos para asegurarse que no están comprimidos o doblados.</p> <p>Si la ETAPA 1 no arregló el problema, realizar la ETAPA 2: Retirar los conductos de la línea de alimentación. En la pantalla LCD, seleccionar MAX para verificar si el aparato puede lograr el flujo seleccionado. En caso de que así sea, verificar la línea de los conductos.</p> <p>Si la ETAPA 2 no arregló el problema, realizar la ETAPA 3: En la pantalla LCD, seleccionar los valores de ajuste de los flujos MIN y MAX y después reinicializar el aparato. El valor de flujo MAX aparecerá en la pantalla LCD. Si el flujo MAX es superior al flujo MAX deseado, ajustar los flujos MAX y MIN.</p> <p>Si la ETAPA 3 no arregló el problema, realizar la ETAPA 4: Reemplazar el ventilador de salida y repetir la ETAPA 3.</p> <p>Si la ETAPA 4 no arregló el problema, realizar la ETAPA 5: Reemplazar el conjunto electrónico.</p>
W52	Configuración inicial incompleta	<p>ETAPA 1: Presionar el botón + o - para acceder al menú selección.</p> <p>ETAPA 2: Completar la configuración. (Consulte la sección 5 para más detalles).</p>
W61	Modo protección sobrecalentamiento del sistema electrónico	<p>El aparato está en modo protección. La potencia transmitida al motor se reduce voluntariamente para disminuir la temperatura del sistema electrónico. El aparato saldrá de este modo por sí mismo una vez que las condiciones vuelvan a la normalidad. Es normal observar una reducción en los flujos de aire durante este período. Esta condición debe aparecer sólo cuando el aparato está situado en un ambiente cálido, por ejemplo más de 60°C (140°F). Si esta condición aparece mientras que el aparato está situado en un lugar donde la temperatura ambiente está debajo de 30°C (86°F), reemplazar el conjunto electrónico.</p>

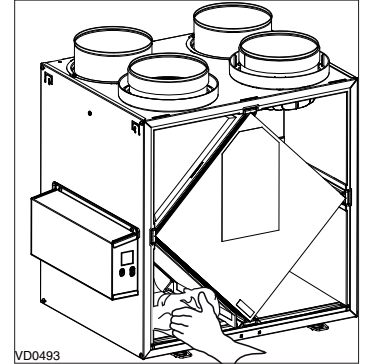
9. MANTENIMIENTO

⚠ ADVERTENCIA

Riesgo de alta tensión. Durante las operaciones de mantenimiento o de reparación, el aparato debe estar siempre apagado y desenchufado para evitar todo riesgo de choque eléctrico. Se aconseja llevar guantes y gafas de protección al manipular los componentes del aparato para evitar todo riesgo de lesiones causadas por la presencia de metal delgado.

9.1 TRIMESTRAL

1. Desconecte el cable de alimentación.
2. La puerta de este aparato lleva bisagras y se mantiene cerrada con 2 cerraduras. Retírelas y póngalas a un lado.
3. Limpie el interior de la puerta con un paño húmedo.
4. Limpie los filtros:
 - Quite los filtros.
 - Pase una aspiradora para quitar la mayor parte del polvo.
 - Lávelos con una mezcla de agua tibia y jabón suave. Puede añadir lejía si desea desinfectar (una cucharada por galón). Enjuague a fondo. Agite los filtros para eliminar el exceso de agua y déjelos secar.



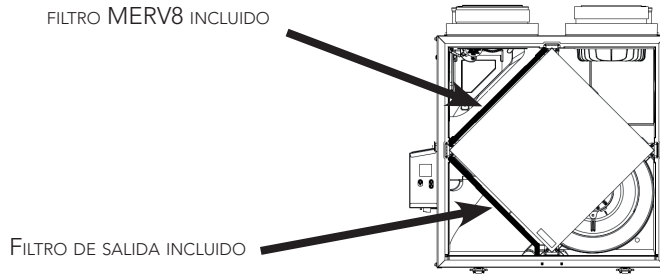
Nota: El filtro opcional MERV13 es un filtro desechable. El filtro debe ser reemplazado cuando está demasiado sucio.

5. Limpie la placa de condensación con un paño húmedo.
6. Verifique la boca de entrada de aire del exterior:

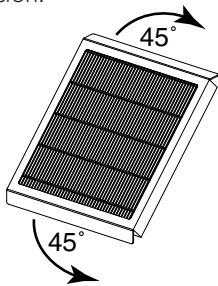
PRECAUCIÓN

Un orificio de ventilación o un filtro bloqueado, aunque sólo sea parcialmente, puede hacer que el aparato funcione mal. El confort que ofrece el aparato podría reducirse y la probabilidad de que se congele el aparato podría aumentar. Podrían resultar una rotura del aparato y/o daños a los bienes.

- Compruebe que no haya hojas, ramitas, hielo o nieve que podrían entrar en el aparato.
 - Limpie si es necesario.
7. Vuelva a montar los componentes. Preste atención especialmente a los filtros y compruebe que están bien encajados en sus ranuras.
 8. Gire las ruedas del ventilador impelente a mano. Si una de las ruedas no gira normalmente, póngase en contacto con su instalador.
 9. Cierre la puerta y vuelva a conectar la fuente de alimentación.
 10. Reinicializar los filtros, si es necesario. Si utiliza un control mural principal opcional (SELECTOR DE VELOCIDAD, DEHUMIDOSTATO O AUTOMÁTICO), presionar el botón INT/AUTO durante 5 segundos para reinicializar los filtros. Si utiliza el control mural principal opcional Avanzado, siga las instrucciones en la pantalla táctil.



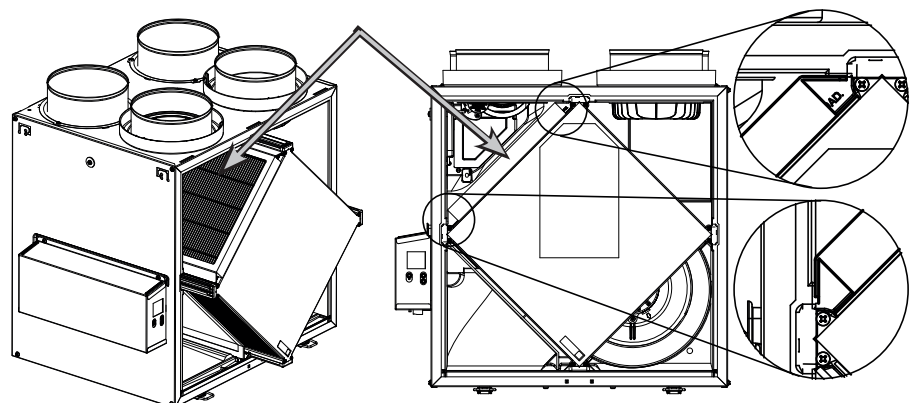
Tirar el núcleo de 3 a 4 pulg. hacia fuera.
Doblar las dos aletas del filtro MERV13 para formar un ángulo de 45 grados, como se ilustra a continuación.



Instalar el filtro MERV13 sobre el núcleo, como se ilustra.

Empujar el núcleo y el filtro MERV13 al fondo del aparato.

FILTRO MERV13 OPCIONAL (FILTRO DE SALIDA NO INCLUIDO)



NOTA: El filtro opcional MERV13 reemplaza el filtro MERV8.

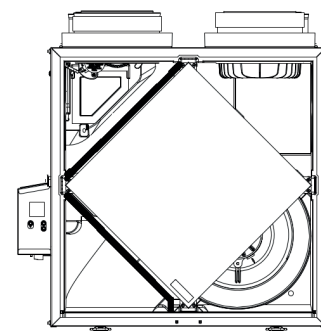
9. MANTENIMIENTO (CONT.)

9.2 ANUAL (EN OTOÑO)

1. Repita las etapas 1 a 6 de la sección anterior y continúe con las que se exponen a continuación:

PRECAUCIÓN

- Manipule con cuidado el núcleo.



VD0494

2. Limpie el núcleo:

MODELOS HRV	MODELOS ERV
<ul style="list-style-type: none"> • Retire el núcleo. • Déjelo en remojo en una mezcla de agua fría o tibia y jabón suave (detergente para vajillas). • Enjuague a fondo. • Agite el núcleo para eliminar el exceso de agua y déjelo secar. 	<p>Quite el polvo del núcleo con una aspiradora equipada con un cepillo suave.</p> <p>PRECAUCIÓN: NO SUMERJA EN AGUA EL NÚCLEO.</p>

3. Limpie el conjunto del ventilador impelente. No desmonte el conjunto del ventilador.
4. Quite el polvo con una aspiradora equipada con un cepillo suave.
5. Vuelva a montar los componentes.
6. Vuelva a conectar la fuente de alimentación.

10. SOLUCIÓN DE PROBLEMAS POR PARTE DEL USUARIO

Póngase en contacto con el servicio de atención al cliente en el teléfono 1-800-558-1711 para cualquier problema no resuelto.

PROBLEMA	INTENTE ESTO
1. Nada funciona.	<ul style="list-style-type: none"> • Verifique si el aparato está enchufado. • Compruebe si el aparato recibe alimentación del disyuntor o del fusible de la casa.
2. Aparato ruidoso.	<ul style="list-style-type: none"> • Limpie el aparato (véase la sección 9). Si el problema no se soluciona, póngase en contacto con el instalador.
3. Condensación en las ventanas en caso de bajas temperaturas.	<ul style="list-style-type: none"> • Haga funcionar el aparato a velocidad MAX durante las actividades que generan humedad excesiva (reuniones familiares, mucha cocina, etc.). • Deje las cortinas entreabiertas para que el aire circule. • Guarde toda la leña en un cuarto cerrado equipado con un deshumidificador, en un cuarto bien ventilado o en el exterior. • Mantenga la temperatura de su casa por encima de 64°F.
4. Humedad en el interior en caso de tiempos calientes/húmedos.	<ul style="list-style-type: none"> • Haga funcionar el aparato a velocidad MIN. • Cambie temporalmente al modo INT (si está disponible). • Use un deshumidificador.
5. Aire demasiado seco.	<ul style="list-style-type: none"> • Haga funcionar el aparato a velocidad MIN. • Cambie temporalmente al modo INT (si está disponible). • Use temporalmente un humidificador.
6. Aire demasiado frío en la rejilla de suministro de aire.	<ul style="list-style-type: none"> • Asegúrese de que las bocas exteriores no están bloqueadas. • Haga funcionar el aparato a velocidad MIN. • Instale un calentador de conductos (póngase en contacto con su instalador).

11. GARANTÍA

Este aparato de ventilación de Broan es un producto de gran calidad, fabricado y empacado con cuidado.

Broan garantiza al comprador original de sus productos que dichos productos están libres de defectos por el periodo de tiempo indicado

más adelante, a partir de la fecha de compra original. La garantía de todos los aparatos Broan cubre las piezas únicamente contra cualquier defecto que pudiera perjudicar su funcionamiento. Su duración es de cinco (5) años. A reserva de que se efectúe el mantenimiento del núcleo, tal y como se indica en el manual del usuario y del instalador, el núcleo de recuperación del calor (HRV) tiene una garantía limitada de por vida, y el núcleo de recuperación de energía (ERV) tiene una garantía de cinco (5) años. Si el aparato funcionara de manera inadecuada, consulte el manual del usuario y del instalador. Si el problema continúa, siga estos pasos:

PROCEDIMIENTO A SEGUIR

Si el aparato estuviera defectuoso, sírvase comunicar inmediatamente con su empresa de ventilación (véase la dirección en la cubierta de este manual). La empresa determinará el origen del mal funcionamiento del aparato y lo sustituirá o reparará, de ser necesario.

Si le resultara imposible ponerse en comunicación con la empresa, telefónee (en América del Norte) al 1-800-558-1711 y nuestro personal le indicará con mucho gusto el teléfono del distribuidor o del centro de servicio más próximo.

REPLACEMENT PARTS AND REPAIR

Para que el aparato funcione bien debe usar siempre piezas originales de Broan. Estas piezas se han diseñado especialmente para cumplir con todas las normas de certificación de seguridad aplicables. El uso de piezas diferentes podría poner en peligro la seguridad del aparato, ocasionar una reducción importante de su funcionamiento y producir una falla prematura. Broan también aconseja consultar siempre con una empresa de servicios competente reconocida por Broan para las piezas de recambio y para solicitar un servicio.

FACTURA

La garantía no cubrirá ninguna reparación ni sustitución sin la factura original de compra. Le rogamos, pues, que la conserve debidamente.

GASTOS VARIOS

En cada caso, los gastos de mano de obra y de envío para retirar una pieza defectuosa o instalar una pieza conforme no estarán cubiertos por el fabricante.

CONDICIONES Y LÍMITES

Este aparato es pensado únicamente para uso residencial y han de utilizarse en un edificio tal y como se describe a continuación:

- Edificio: Toda construcción usada o destinada para ser usada con el fin de alojar o recibir personas, animales o cosas.
- Uso residencial: Vivienda, alojamiento, suite: edificio o parte de un edificio que sirve o está destinado a servir de domicilio a una o varias personas y que también posee instalaciones sanitarias, para preparar y consumir comidas y dormir. Local constituido por una sola pieza o un grupo de piezas complementarias y ocupado por un inquilino o propietario; incluye los alojamientos, las habitaciones individuales de moteles, hoteles, las casas de alquiler de habitaciones, los dormitorios colectivos y las pensiones familiares, incluso las tiendas y los establecimientos de negocios de una sola pieza en una vivienda.
- Uso comercial: Establecimiento agrícola, comercial, de reunión, de cuidados o de detención: edificio o parte de un edificio que no contenga viviendas, situado en un terreno dedicado a la agricultura o a la ganadería y usado fundamentalmente para guardar equipos o animales, o para la producción, almacenamiento o tratamiento de productos agrícolas u hortícolas o la alimentación de los animales. Edificio o parte de un edificio usado para colocar o vender mercancías o productos al por menor o usado para realizar negocios o prestar servicios profesionales o personales. Edificio o parte de un edificio usado por personas que se reúnen para realizar actividades cívicas, políticas, turísticas, religiosas, mundanas, educativas, recreativas o similares, o para consumir alimentos o bebidas. Edificio o parte de un edificio que acoge a personas que, por su estado físico o mental, necesitan cuidados o tratamientos médicos, o a personas que, por razones de seguridad fuera de su control, no pueden guarecerse en caso de peligro.
- Uso industrial: Edificio o parte de un edificio usado para ensamblar, fabricar, confeccionar, tratar, reparar o almacenar productos, materias o materiales cuyo contenido es combustible y posee materias muy combustibles, inflamables o explosivas en cantidad suficiente para constituir un riesgo concreto de incendio.

La garantía se aplicará en todos los casos en los que los daños no resulten de una instalación inadecuada, de un uso inapropiado, de un abuso o negligencia, de un caso fortuito o de cualquier otra circunstancia fuera del control de Broan. Además, Broan no se hace responsable de las lesiones o daños en la propiedad personal o inmobiliaria causados directa o indirectamente por el aparato de ventilación Broan. Esta garantía anula todas las garantías anteriores.

Broan 926 West State Street, Hartford, WI 53027 www.broan.com 800-558-1711

