



# Fresh Air Systems - 130 CFM



VB0332



ERV

Top ports: B150E75NT  
Side ports: B150E75NS

35 to 136 CFM @ 0.2 in. w.g.  
35 to 127 CFM @ 0.4 in. w.g.



Parts/Motor/ERV Core



Visit [Broan-NuTone.com](http://Broan-NuTone.com) for complete warranty text.

The industry's most advanced residential fresh air system, created to offer a universal platform specifically designed and improved to make contractors life easier and more profitable while delivering constant superior air quality.

- Thanks to the Virtuo Air Technology™, the airflow calibration and auto-balancing are achieved quickly and maintained throughout the life of the product
- Select the desired CFM (from 35 to 136 CFM) using the proven integrated LCD screen.
- Integrated electronic airflow measurement device with real time LCD
- Integrated diagnostic tool
- Equipped with PMSM ECM motors for energy efficient operation
- Suspended installation (chains included)  
OR
- Wall-mount installation (universal brackets included)
  - installation with 2 brackets
  - installation with 4 brackets

## Unit Description

- SRE of 75% at 32°F and 52% at -13°F (66 CFM)
- Ports size: 5"
- Negative pressure defrost (exhaust defrost)
- Corrosion resistant galvanized steel door and cabinet
- One-piece molded insulation shell, no air leakage (expanded polystyrene; UL 94 HF-1 certified)
- Virtuo constant airflow and auto-balancing device (patent pending)
- Motorized dampers (no additional backdraft dampers required)
- No drain required
- 6' power cord
- Unit electrical characteristics:  
120 volts, 60 Hz, 2.4 A, 163 W

## Controls

**AUTOMATIC**



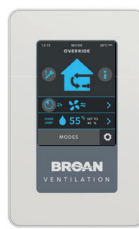
VC0184

**SPEED SELECTOR**



VC0187

**ADVANCED TOUCHSCREEN**



VC0189

**BOOST OVERRIDE**



VC0188

There are 4 optional main controls and 2 optional auxiliary controls available. Refer to Wall Control specification sheet for more information.

## Core

- Polypropylene crossflow core with polymeric membrane and aluminum covers, impact resistant, non washable
- Dimensions: 12" x 12" x 9" (30.5 cm x 30.5 cm x 23 cm)

## Filters

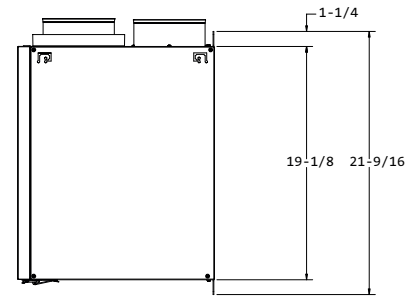
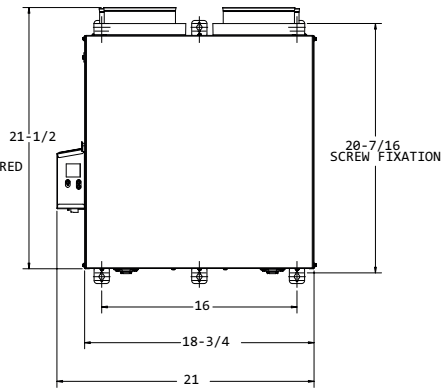
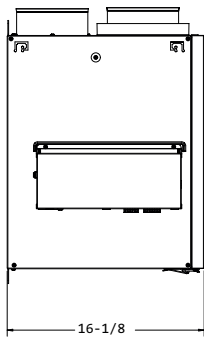
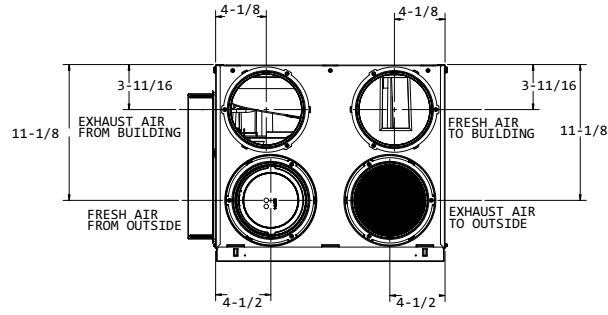
- MERV 8 grade washable standard filter (included)
- Optional MERV13 grade filter part no. V24285

## Options

- Compatible with Tandem Terminations (part no. VTYIK1 and V14695) (CFM output must meet application requirements)

## 5" Ports Dimensions (Top Ports)

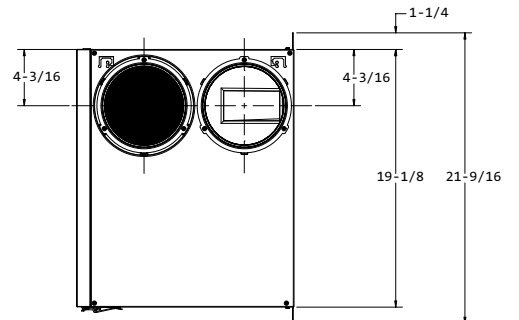
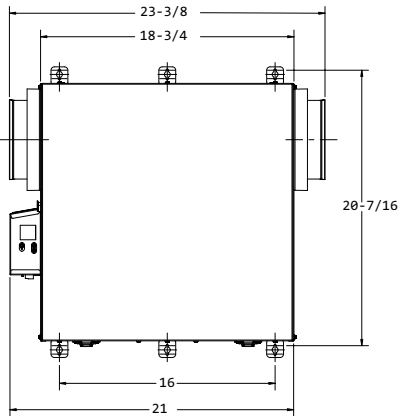
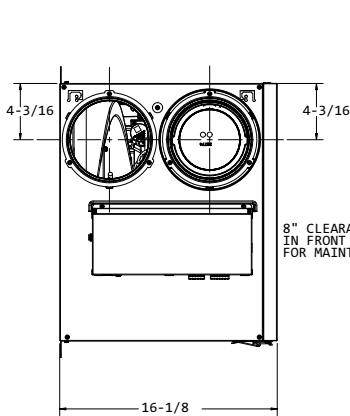
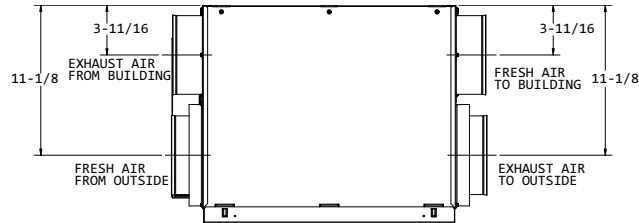
Total assembled weight: approx 37 lbs (16.8 kg) (core included)  
Shipping weight: approx 44 lbs (20 kg)



VK0128

## 5" Ports Dimensions (Side Ports)

Total assembled weight: approx 37 lbs (16.8 kg) (core included)  
Shipping weight: approx 44 lbs (20 kg)

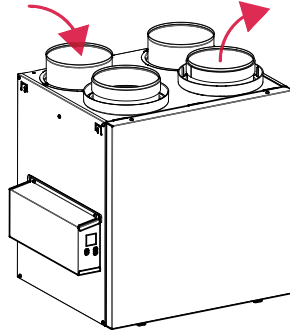


VK0127

# Defrost System

## Defrost by negative pressure (exhaust defrost)

Stale air from building enters in the unit. Air is then exhausted to the outdoors.



DISCRETION (Factory setting)	OUTDOOR TEMPERATURE*					
	-5°C TO -15°C 23°F TO 5°F		-15°C TO -27°C 5°F TO -17°F		-27°C AND LESS -17°F AND LESS	
CFM	AIR EXCHANGE IN MINUTES	DEFROST IN MINUTES	AIR EXCHANGE IN MINUTES	DEFROST IN MINUTES	AIR EXCHANGE IN MINUTES	DEFROST IN MINUTES
0 to 59	25	6	16	5	13	7
60 to 104	25	6	17	5	14	7
105 and more	15	6	11	5	10	7

\*Outdoor temperature is read by a thermistor located inside the unit, next to fresh air from outdoor port.

**NOTE:** There is a 10-minute additional defrost every 5 defrost cycles.

Plus	OUTDOOR TEMPERATURE*					
	-5°C TO -15°C 23°F TO 5°F		-15°C TO -27°C 5°F TO -17°F		-27°C AND LESS -17°F AND LESS	
CFM	AIR EXCHANGE IN MINUTES	DEFROST IN MINUTES	AIR EXCHANGE IN MINUTES	DEFROST IN MINUTES	AIR EXCHANGE IN MINUTES	DEFROST IN MINUTES
0 to 59	25	7	15	7	12	8
60 to 104	25	7	16	7	13	8
105 and more	15	7	10	7	9	8

\*Outdoor temperature is read by a thermistor located inside the unit, next to fresh air from outdoor port.

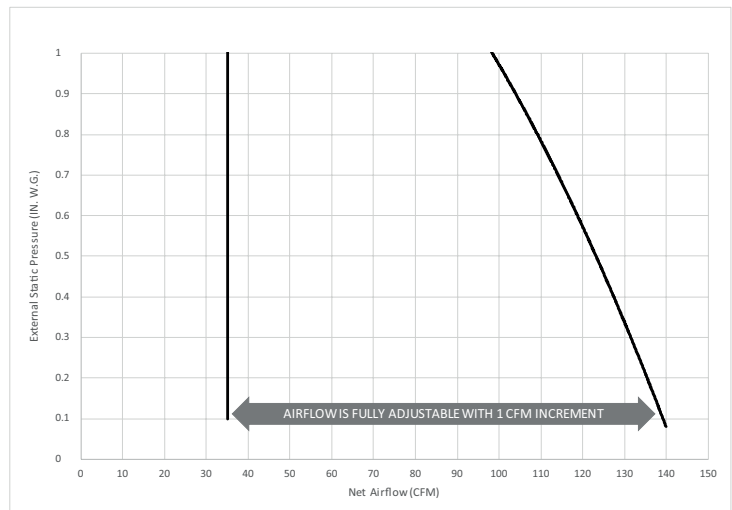
**NOTE:** There is a 10-minute additional defrost every 5 defrost cycles.

# Fan Curves with Virtuo

Thanks to Virtuo Air Technology™, no need to balance the unit manually. Both PMSM motors are controlled by an artificial intelligence performing 120 readings per minute then processing this information to maintain the requested airflow.

For typical installation, Virtuo will ensure a balanced ventilation at every selected speed regardless of the weather conditions, the type of connection, the variable speed furnace/AHU, the stack effect, the filter clogging and so on. This results in peace of mind for installers and users knowing that the unit will always remain balanced and that it will maintain its maximum heat/energy recovery efficiency.

STATIC PRESSURE (Pa)	STATIC PRESSURE (IN. W.G.)	NET SUPPLY AIRFLOW (L/s)	NET SUPPLY AIRFLOW (CFM)	GROSS AIRFLOW SUPPLY (L/s)	GROSS AIRFLOW SUPPLY (CFM)	GROSS AIRFLOW EXHAUST (L/s)	GROSS AIRFLOW EXHAUST (CFM)
25	0.1	65	138	67	142	67	142
50	0.2	64	136	66	140	66	140
75	0.3	62	131	64	136	64	136
100	0.4	60	127	62	131	62	131
125	0.5	58	123	60	127	60	127
150	0.6	56	119	57	121	57	121
175	0.7	54	114	55	117	55	117
200	0.8	51	108	52	110	52	110
225	0.9	49	104	50	106	50	106
250	1.0	46	97	47	100	47	100



# Energy Performance

SUPPLY TEMPERATURE		NET AIRFLOW		POWER CONSUMED WATTS	SENSIBLE RECOVERY EFFICIENCY	ADJUSTED SENSIBLE RECOVERY EFFICIENCY	APPARENT SENSIBLE EFFECTIVENESS*	TOTAL RECOVERY EFFICIENCY	ADJUSTED TOTAL RECOVERY EFFICIENCY	LATENT RECOVERY / MOISTURE TRANSFER
°C	°F	L/s	CFM							
HEATING										
0	32	31	66	35	75%	79%	80%	-	-	0.67
0	32	59	125	110	69%	75%	76%	-	-	0.59
35	95	31	66	41	-	-	73%	66%	69%	0.69
35	95	59	125	120	-	-	63%	56%	60%	0.60
-25	-13	31	66	34	52%	54%	80%	-	-	0.45

\* Data not certified by HVI.

# Requirements and Standards

- UL 1812 compliant (safety)
- Performance tested in accordance with CSA C439 Standard
- Compliant with Prop 65
- Complies with ROHS 2015/863 directive
- Can be used to comply with California Title 24 2019 Part 6 Fault Indicator Display Requirements
- Can be used to earn WA energy code credits

Project:	Remarks
Location:	
Part no.:	
Qty.:	
Submitted by: _____ Date: _____	

