



Fresh Air Systems - 160 CFM



HRV

Top ports: B160H65RT
Side ports: B160H65RS

35 to 159 CFM @ 0.2 in. w.g.
35 to 150 CFM @ 0.4 in. w.g.



Parts/Motor

HRV Core

Visit www.broan-nutone.com for complete warranty text.

Introducing the industry's most advanced residential fresh air system, created to offer a universal platform specifically designed and improved to make contractors life easier and more profitable while delivering constant superior air quality.

- Thanks to the Virtuo Air Technology™, the airflow calibration and auto-balancing are achieved quickly and maintained throughout the life of the product
- Select the desired CFM (from 35 to 160 CFM) using the very first integrated LCD screen. The airflow is then set up automatically
- Integrated electronic airflow measurement device with real time LCD
- Integrated diagnostic tool
- Equipped with PMSM ECM motors for a very low power consumption
- Suspended installation (chains included)
- OR
- Wall-mount installation (universal brackets included)
 - installation with 2 brackets
 - installation with 4 brackets

Unit Description

- SRE of 68% at 32°F and 60% at -13°F (64 CFM)
- Ports size: 6"
- Recirculation mode
- Recirculation defrost
- Corrosion resistant galvanized steel door and body
- One-piece molded insulation shell, no air leakage (expanded polystyrene; UL 94 HF-1 certified)
- Virtuo constant airflow and auto-balancing device (patent pending)
- Motorized dampers (no additional backdraft dampers required)
- Integrated "snap-in" drain system installed in seconds with no additional parts (drain hose included)
- 6' power cord
- Unit electrical characteristics:
120 volts, 60 Hz, 2.5 A, 163 W
- Sound: 73.2 dBA at 150 CFM @ 0.4 in. w.g.
60.1 dBA at 64 CFM @ 0.2 in. w.g.

Controls



There are 4 optional main controls and 2 optional auxiliary controls available. Refer to Wall Control specification sheet for more information.

Core

- Polypropylene crossflow core, impact resistant
Dimensions: 12" x 12" x 9" (30.5 cm x 30.5 cm x 23 cm)

Filters

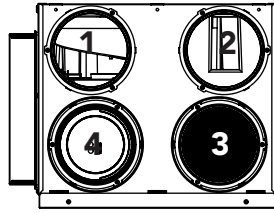
- MERV 8 grade washable standard filter (included)
- Optional MERV13 grade filter part no. V24285

Options

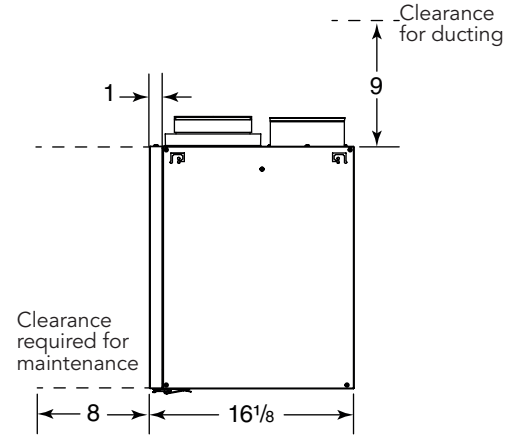
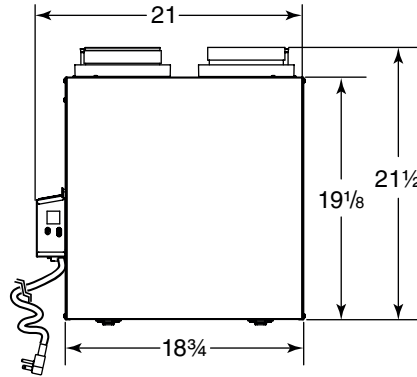
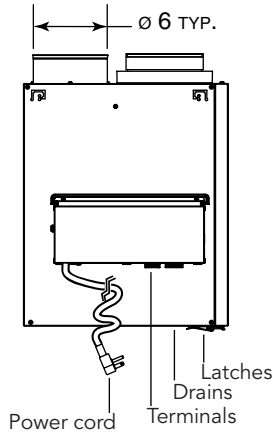
- Complete line of registers and diffusers
- Compatible with the Tandem transition (part no. VTYIK1) (for units producing up to 110 CFM only)

6" Ports Dimensions (Top Ports)

- 1 - Exhaust air from building
- 2 - Fresh air to building
- 3 - Exhaust air to outside
- 4 - Fresh air from outside

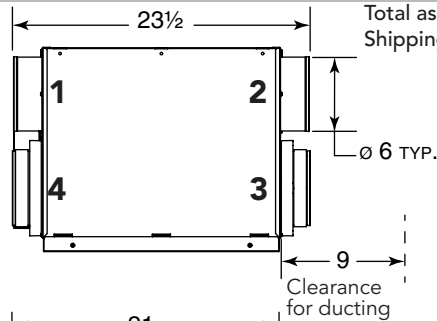


Total assembled weight: approx 35 lbs (15.9 kg) (core included)
Shipping weight: approx 42 lbs (19 kg)

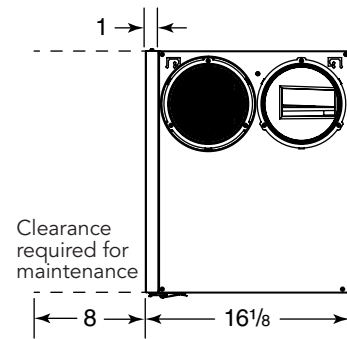
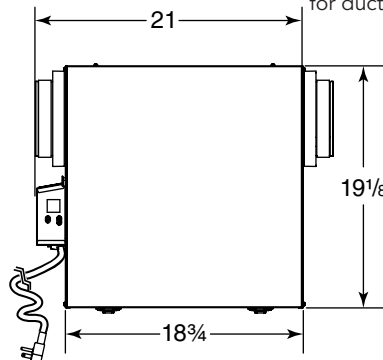
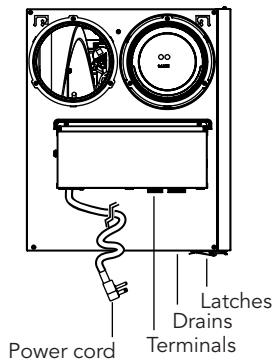


6" Ports Dimensions (Side Ports)

- 1 - Exhaust air from building
- 2 - Fresh air to building
- 3 - Exhaust air to outside
- 4 - Fresh air from outside



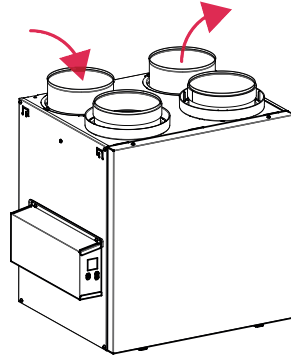
Total assembled weight: approx 35 lbs (15.9 kg) (core included)
Shipping weight: approx 42 lbs (19 kg)



Defrost System

Homeshield™ Defrosting System

No negative pressure is created by air exhausted to the outdoors since the air is recirculated into the house, helping to prevent any backdraft.



DISCRETION (Factory setting)	OUTDOOR TEMPERATURE*					
	-5°C TO -15°C 23°F TO 5°F		-15°C TO -27°C 5°F TO -17°F		-27°C AND LESS -17°F AND LESS	
CFM	AIR EXCHANGE IN MINUTES	DEFROST IN MINUTES	AIR EXCHANGE IN MINUTES	DEFROST IN MINUTES	AIR EXCHANGE IN MINUTES	DEFROST IN MINUTES
0 to 59	32	7	25	7	20	10
60 to 90	50	7	35	7	25	10
91 and more	22	7	18	7	16	10

*Outdoor temperature is read by a thermistor located inside the unit, next to fresh air from outdoor port.

Plus	OUTDOOR TEMPERATURE*					
	-5°C TO -15°C 23°F TO 5°F		-15°C TO -27°C 5°F TO -17°F		-27°C AND LESS -17°F AND LESS	
CFM	AIR EXCHANGE IN MINUTES	DEFROST IN MINUTES	AIR EXCHANGE IN MINUTES	DEFROST IN MINUTES	AIR EXCHANGE IN MINUTES	DEFROST IN MINUTES
0 to 59	28	7	20	7	16	10
60 to 90	45	7	28	7	20	10
91 and more	18	7	14	7	12	10

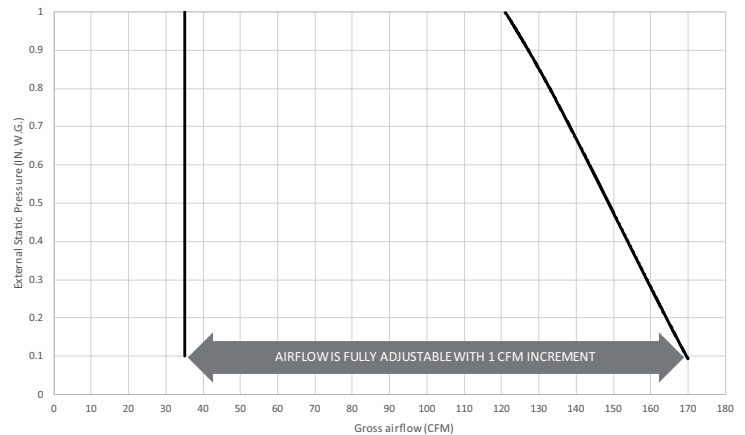
*Outdoor temperature is read by a thermistor located inside the unit, next to fresh air from outdoor port.

Fan Curves with Virtuo

Thanks to Virtuo Air Technology™, no need to balance the unit manually. Both PMSM motors are controlled by an artificial intelligence performing 120 readings per minute then processing this information to maintain the requested airflow.

For typical installation, Virtuo will ensure a balanced ventilation at every selected speed regardless of the weather conditions, the type of connection, the variable speed furnace/AHU, the stack effect, the filter clogging and so on. This results in peace of mind for installers and users knowing that the unit will always remain balanced and that it will maintain its maximum heat/energy recovery efficiency.

STATIC PRESSURE (Pa)	STATIC PRESSURE (IN. W.G.)	NET SUPPLY AIRFLOW (L/s)	NET SUPPLY AIRFLOW (CFM)	GROSS AIRFLOW SUPPLY (L/s)	GROSS AIRFLOW SUPPLY (CFM)	GROSS AIRFLOW EXHAUST (L/s)	GROSS AIRFLOW EXHAUST (CFM)
25	0.1	78	165	80	170	80	170
50	0.2	75	159	77	163	77	163
75	0.3	73	155	75	159	75	159
100	0.4	71	150	73	155	73	155
125	0.5	68	144	70	148	70	148
150	0.6	66	140	68	144	68	144
175	0.7	63	133	65	138	65	138
200	0.8	61	129	63	133	63	133
225	0.9	58	123	60	127	60	127
250	1.0	55	117	57	121	57	121



Energy Performance

SUPPLY TEMPERATURE		NET AIRFLOW		POWER CONSUMED WATTS	SENSIBLE RECOVERY EFFICIENCY	ADJUSTED SENSIBLE RECOVERY EFFICIENCY	APPARENT SENSIBLE EFFECTIVENESS*
°C	°F	L/s	CFM				
HEATING							
0	32	30	64	33	68	71	72
0	32	43	90	47	63	66	68
0	32	52	110	69	58	62	64
0	32	62	131	94	55	61	63
-25	-13	30	64	33	60	62	72

*Data not certified by HVI.

Requirements and Standards

- UL 1812 compliant (safety)
- Could be installed in compliance with CSA F326
- Performance tested as per CSA C439 Standard
- Compliant with Prop 65
- This product earned the ENERGY STAR® by meeting strict energy efficiency guidelines set by Natural Resources Canada and the US EPA. This product meets ENERGY STAR requirements only when used in Canada.
- Can be used to comply with California Title 24 2019 Part 6 Fault Indicator Display Requirements

Project:	Remarks
Location:	
Part no.:	
Qty.:	
Submitted by: _____ Date: _____	

