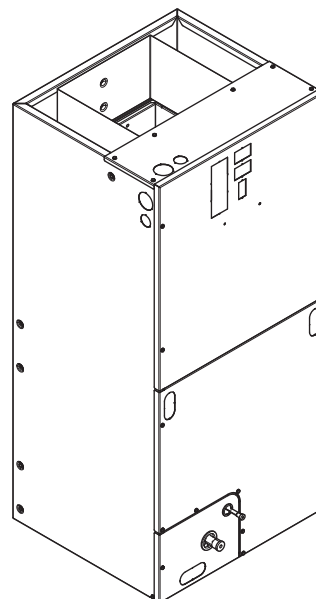


# Installer's Guide

## Convertible Air Handlers 1-1/2 – 5 Ton

### A4AH4P

A4AH4P18A1B60B  
A4AH4P24A1B60B  
A4AH4P30A1B60B  
A4AH4P36A1B30B  
A4AH4P37A1C30B  
A4AH4E42A1C30B  
A4AH4E48A1C30B  
A4AH4E60A1C30B



*The A4AH4 series air handler is designed for installation in a closet, utility room, alcove, basement, crawlspace or attic. These versatile units are applicable to air conditioning and heat pump applications. Several models are available to meet the specific requirements of the outdoor equipment. Field installed electric resistance heaters are available.*

### **▲ SAFETY WARNING**

Only qualified personnel should install and service the equipment. The installation, starting up, and servicing of heating, ventilating, and air-conditioning equipment can be hazardous and requires specific knowledge and training. Improperly installed, adjusted or altered equipment by an unqualified person could result in death or serious injury. When working on the equipment, observe all precautions in the literature and on the tags, stickers, and labels that are attached to the equipment.

# SAFETY SECTION

## AIR HANDLERS

**Important:** This document contains a wiring diagram, a parts list, and service information. This is customer property and is to remain with this unit. Please return to service information pack upon completion of work.

**Important:** These instructions do not cover all variations in systems nor provide for every possible contingency to be met in connection with the installation. Should further information be desired or should particular problems arise which are not covered sufficiently for the purchaser's purposes, the matter should be referred to your installing dealer or local distributor.

### ⚠ WARNING

#### HAZARDOUS VOLTAGE!

Failure to follow this Warning could result in property damage, severe personal injury, or death.

Disconnect all electric power, including remote disconnects before servicing. Follow proper lockout/tagout procedures to ensure the power cannot be inadvertently energized.

### ⚠ CAUTION

#### GROUNDING REQUIRED!

Failure to inspect or use proper service tools may result in equipment damage or personal injury.

Reconnect all grounding devices. All parts of this product that are capable of conducting electrical current are grounded. If grounding wires, screws, straps, clips, nuts, or washers used to complete a path to ground are removed for service, they must be returned to their original position and properly fastened.

### ⚠ WARNING

#### LIVE ELECTRICAL COMPONENTS!

Failure to follow this Warning could result in property damage, severe personal injury, or death.

Follow all electrical safety precautions when exposed to live electrical components. It may be necessary to work with live electrical components during installation, testing, servicing, and troubleshooting of this product.

### ⚠ WARNING

#### PRESSURIZED REFRIGERANT!

Failure to follow this Warning could result in personal injury

System contains oil and refrigerant under high pressure. Recover refrigerant to relieve pressure before opening the system. Do not use non-approved refrigerants or refrigerant substitutes or refrigerant additives.

### ⚠ CAUTION

#### SHARP EDGE HAZARD!

Failure to follow this Caution could result in property damage or personal injury.

Be careful of sharp edges on equipment or any cuts made on sheet metal while installing or servicing.

### ⚠ CAUTION

#### HAZARDOUS VAPORS!

Failure to follow this caution could result in property damage or personal injury.

Equipment corrosion damage. To prevent shortening its service life, the air handler should not be used during the finishing phases of construction or remodeling. The low return air temperatures can lead to the formation of condensate. Condensate in the presence of chlorides and fluorides from paint, varnish, stains, adhesives, cleaning compounds, and cement creates a corrosive condition which may cause rapid deterioration of the cabinet and internal components.

### ⚠ CAUTION

#### COIL IS PRESSURIZED!

- Coil is pressurized with approximately 8–12 psi dry air and factory checked for leaks.
- Carefully release the pressure by removing the rubber plug on the liquid line.
- If no pressure is released, check for leaks.

### ⚠ WARNING

#### SAFETY HAZARD!

This appliance is not to be used by persons (including children) with reduced physical, sensory, or mental capabilities, or lack of experience and knowledge, unless they have been given supervision or instruction.

**⚠ WARNING**  
**SAFETY HAZARD!**  
 Children should be supervised to ensure that they do not play with the appliance.

**⚠ WARNING**  
**WARNING!**  
 This product can expose you to chemicals including lead, which are known to the State of California to cause cancer and birth defects or other reproductive harm. For more information go to [www.P65Warnings.ca.gov](http://www.P65Warnings.ca.gov).

**Important:** Installation of this unit shall be made in accordance with the National Electric Code, NFPA No. 90A and 90B, and any other local codes or utilities requirements.

**Important:** Air handlers do not require repositioning of the coil or drain pan for upflow or horizontal left applications. See the downflow and horizontal right installation sections for application instructions.

**Note:** Air handlers have been evaluated in accordance with the Code of Federal Regulations, Chapter XX, Part 3280 or the equivalent. "SUITABLE FOR MOBILE HOME USE."

**Note:** Condensation may occur on the surface of the air handler when installed in an unconditioned space. When units are installed in unconditioned spaces, verify that all electrical and refrigerant line penetrations on the air handler are sealed completely.

**Note:** The manufacturer recommends installing ONLY A.H.R.I approved, matched indoor and outdoor systems. Some of the benefits of installing approved matched indoor and outdoor split systems are maximum efficiency, optimum performance, and the best overall system reliability.

**Piston Notice**

**NOTE:** Piston on 1.5–2.5 ton models

**NOTICE**

**PISTON  
INSTALLED**




Installer must verify correct piston size per installation instructions. Installer must charge system using the superheat method.

D807007P01

# Table of Contents

|                                      |    |                                      |    |
|--------------------------------------|----|--------------------------------------|----|
| Features .....                       | 5  | Fixed Orifice Superheat Charging     |    |
| Installation Instructions.....       | 6  | Table .....                          | 21 |
| Field Wiring .....                   | 9  | Heater Pressure Drop Table A4AH4 Air |    |
| Electrical Data .....                | 10 | Handler Models .....                 | 21 |
| Performance and Electrical Data..... | 11 | Coil Conversion Instructions.....    | 22 |
| Minimum Airflow CFM .....            | 19 | Coil Conversion .....                | 25 |
| Outline Drawing .....                | 20 | Checkout Procedures .....            | 31 |

# Features

**Table 1. Standard Features**

- MULTI-POSITION UPFLOW, DOWNFLOW, HORIZONTAL LEFT AND HORIZONTAL RIGHT
- GALVANIZED STEEL EXTERIOR WITH FULLY INSULATED CABINET THAT MEETS R4.2 VALUE
- STURDY POLYCARBONATE DRAIN PANS
  - The A4AH4 air handler has factory installed drain pans and is shipped for upflow and horizontal left applications
- 208/230 VAC OPERATION
- MULTI-SPEED DIRECT DRIVE BLOWER.
- FACTORY INSTALLED NOMINAL SIZED ORIFICE PISTON (1.5 – 2.5 TON MODELS)
- FACTORY INSTALLED R-410A THERMAL EXPANSION VALVE (3 – 5 TON MODELS)
- ALL ALUMINUM COIL
- BOTTOM RETURN
- MEETS THE MINIMUM LEAKAGE REQUIREMENTS FOR THE FLORIDA AND CALIFORNIA BUILDING CODES

**Table 2. Optional Accessories**

- 4,5,8,10,15, 20 and 25 KW SINGLE PHASE ELECTRIC HEATERS
  - Circuit breakers available on all single phase 4, 5, 8, 10, 15, 20 and 25 KW heaters
  - Lug terminals available on all single phase 4, 5, 8, and 10 KW heaters
- 10 and 15 KW THREE PHASE ELECTRIC HEATERS
  - Heaters available with lug terminals
- SINGLE POINT POWER ENTRY KIT (for 15 and 20 KW Heaters)
- SUPPLY DUCT FLANGE KIT
- DOWNFLOW WATER MANAGEMENT KIT - BAYTEMDFKT1A (required for 5 Ton models)
- R-22 CONVERSION KITS — BAYATXV1836B, BAYATXV4248B, BAYATXV6161B
- SLIM FIT FILTER BOX KIT — BAYSF1185AAA, BAYSF1235AAA
- R-410A THERMAL EXPANSION VALVE KIT (1.5 – 2.5 MODELS) BAY4TXV1830A

# Installation Instructions

## 1. Unpacking

Carefully unpack the unit and inspect the contents for damage. If any damage is found at the time of delivery, proper notification and claims should be made with the carrier.

Check the rating plate to assure model number and voltage, plus any kits match with what you ordered. The manufacturer should be notified within 5 days of any discrepancy or parts shortage.

## 2. Location

The air handler should be centrally located and may be installed in a closet, alcove, utility room, basement, crawl space or attic. Minimum clearances must be met.

**Important:** The downflow sub-base may be required with electric heat applications. See minimum clearance table.

**Important:** A downflow condensate management kit BAYTEMDFKT1A is required and must be ordered separately for downflow applications of all 5-ton air handlers.

The unit should be installed in a level position to ensure proper condensation drainage. Up to an additional 1/4" rise over the width or depth of the unit is allowed to create additional sloping towards the drain. Unit must be positioned between level and 1/4" rise, sloping toward the drain connections.

When the unit is installed in a closet or utility room, the room should be large enough, and have an opening to allow replacement of the unit. All servicing is done from the front and a clearance of 21" is needed for service unless the closet door aligns with the front of the air handler.

If you are installing the unit in an unconditioned space such as an attic or crawl space, you must ensure that the area provides sufficient air circulation to prevent moisture collection on the cabinet during high dew point conditions. A drain pan must be installed under the entire unit when it is installed in or above a finished ceiling or in an unconditioned space.

## 3. Duct Work

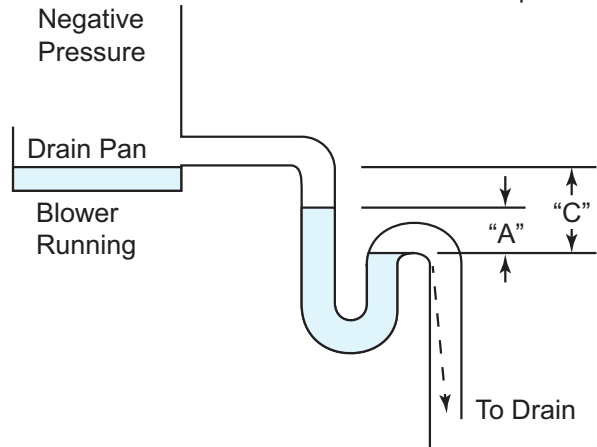
The duct work should be installed in accordance with the NFPA No. 90A "Installation of Air Conditioning and Ventilating systems" and No. 90B "Residential Type Warm Air Heating and Air Conditioning Installation."

The duct work should be insulated in accordance with the applicable requirements for the particular installation as required by HUD, FHA, VA the applicable building code, local utility or other governing body.

## 4. Condensate Drain

The unit is supplied with primary and auxiliary condensate drains that have 3/4" NPT connections. The primary drain must be trapped outside the unit and piped in accordance with applicable building codes.

The figure shows the operation of a properly designed trap under normal operating conditions when the blower is running and the condensate is draining. Note the difference in height of the water column must at least equal the normal negative static pressure existing during operation between the cooling coil and blower. It is advisable to have the difference in water column height somewhat greater than the normal maximum operating static to allow for greater static caused by dirty filters or for the bounce of the water column on start up.



*Proper operation of condensate trap under normal operating conditions.*

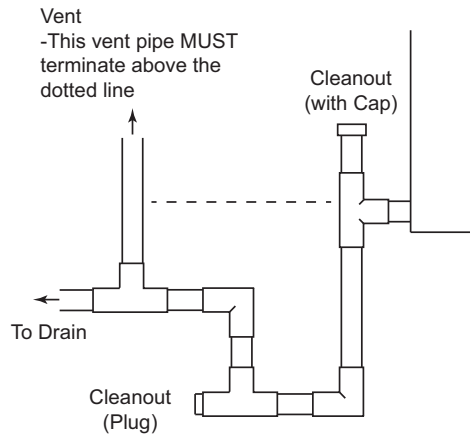
*"A" height of water column equals negative static pressure existing in system.*

*"C" dimension should at least equal two times the maximum negative static pressure that can occur in system.*

Do not reduce the drain line size less than the connection size on the drain pan. Condensate should be piped to an open drain or to the outside. All drains must pitch downward away from the unit a minimum of 1/4" per foot of line to ensure proper drainage.

**Important:** If cleanout Tee is used, stand pipe must be sealed/capped.

**Important:** If a vent Tee is used, it must be downstream from the trap.



Insulate the primary drain line to prevent sweating where dew point temperatures may be met. (Insulation is optional depending on climate and application needs.)

## 5. Refrigerant Piping

Refrigerant piping external to the unit shall be sized in accordance with the instructions of the manufacturer of the outdoor equipment.

## 6. Metering Device

3 through 5 ton units are shipped and installed with an internally-checked, bleed TXV designed for air conditioning or heat pump operation. Charge systems with indoor TXV using the subcooling method as recommended in the outdoor unit Installer's Guide. Pressures equalize after shut down. Some outdoor models may require a start assist kit. See outdoor unit for more information.

1.5 through 2.5 ton units are shipped and installed with an orifice piston sized for nominal tonnage. Charge systems with indoor fixed orifice piston by the superheat method using the superheat charging table. See Table "Fixed Orifice Superheat Charging Table," p. 21

| Outdoor Unit Capacity in Tons Ref. | Orifice Size |
|------------------------------------|--------------|
| 1.5                                | 0.052        |
| 2                                  | 0.059        |
| 2.5                                | 0.064        |

## 7. Blower

This unit is supplied with a multi-speed motor with a direct drive blower wheel which can obtain various air flows. The unit is shipped with factory set cooling and heating speed taps. Airflow performance tables are available for additional speed taps. Disconnect all power to the unit before making any adjustments to the motor speed taps. Be sure to check the air flow and the temperature

drop across the evaporator coil to ensure sufficient air flow.

## 8. Wiring

Consult all schematic and pictorial wiring diagrams of this unit and the outdoor equipment to determine compatibility of wiring connections and to determine specific requirements.

All field wiring to the air handler should be installed in accordance with the latest edition of the National Electric Code NFPA No. 70 and any local codes. Check rating plates on unit for rated volts, minimum circuit ampacity and maximum over current protection. Supply circuit power wiring must be 75 degree C (167 degree F) minimum copper conductors only. Copper supply wires shall be sized to the National Electric Code or local code requirements, whichever is more stringent.

The unit is shipped wired for 230/240 Volt AC 60 HZ 1 Phase Operation. If the unit is to be operated at 208 VAC 60HZ, follow the instructions on the indoor unit wiring diagram to change the low voltage transformer to 208 VAC operation (Ensure unit is properly grounded).

Class 2 low voltage control wiring should not be run in conduit with power wiring and must be separated from power wiring unless class 1 wire with proper voltage rating is used.

Low voltage control wiring should be 18 Awg, color coded (105 degree C minimum). For lengths longer than 100ft., 16 Awg wire should be used. Make certain that separation of control wiring and power wiring has been maintained.

## 9. Air Filter

To protect the coil, blower and other internal parts from excessive dirt and dust an air filter must be installed before air enters the evaporator coil. A remote filter must be installed. Consult the filter manufacturer for proper sizing and maximum velocity requirements.

## 10. Thermostat

Select a thermostat that is commonly used with HP or AC single stage heating/cooling with electric heat. The thermostat will energize the fan on a demand for heat or cool.

Install the thermostat on an inside wall, away from drafts, lights or other heat sources in a location that has sufficient air circulation from other rooms being controlled by the thermostat.

## 11. Sequence of Operation Cooling (Cooling only)

PSC versions - When the thermostat calls for cooling, the circuit from R to G is completed. The blower relay is energized.

Constant torque version - When the thermostat calls for cooling, the circuit from R to G is



completed. The blower motor is energized directly by the 24VAC signal from the thermostat.

The circuit from R to Y is also complete energizing the compressor contactor of the outdoor unit. The contactor will close and start the compressor and condenser fan motor.

### Cooling (heat pump)

PSC versions - When the thermostat calls for cooling, the circuit from R to G is completed. The blower relay is energized.

Constant torque version – When the thermostat calls for cooling, the circuit from R to G is completed. The blower motor is energized directly by the 24VAC signal from the thermostat.

The circuit from R to Y is also complete energizing the compressor contactor of the outdoor unit. The contactor will close and start the compressor and condenser fan motor.

Circuit R to O energizes the reversing valve to the cooling position.

### Heating (heat pump)

PSC versions - When the thermostat calls for heating, the circuit from R to G is completed. The blower relay is energized.

Constant torque version – When the thermostat calls for heating, the circuit from R to G is completed and the blower motor is energized directly by the 24VAC signal from the thermostat.

The circuit from R to Y is also complete energizing the compressor contactor of the outdoor unit. The contactor will close and start the compressor and condenser fan motor.

In the heating mode, the reversing valve of the outdoor unit is not energized.

If the indoor temperature continues to fall, the R to W circuit is completed energizing the electric heat contactor(s).

### Heating (electric heat only)

**Note:** *The thermostat must be setup to bring the blower on when the electric heat is energized.*

PSC versions - When the thermostat calls for heating, the circuit from R to G is completed. The blower relay is energized. The circuit from R to W is completed energizing the heating contactor(s).

Constant torque version - When the thermostat calls for heating, the circuit from R to G is completed and the blower motor is energized directly by the 24VAC signal from the thermostat. The circuit from R to W is completed energizing the heating contactor(s).

### Defrost

Supplemental heat during defrost can be provided by connecting the X2 (black) wire from the outdoor unit to W1 or W2 at the indoor unit. This will prevent cold air from being discharged from the indoor unit during defrost.

## 12. Operational and Checkout Procedures

To obtain proper performance, all units must be operated and charge adjustments made in accordance with procedures found in the Service Facts document of the outdoor unit. After installation has been completed, it is recommended that the entire system be checked against the checkout list located at the back of this document. See [“Checkout Procedures,” p. 31](#)

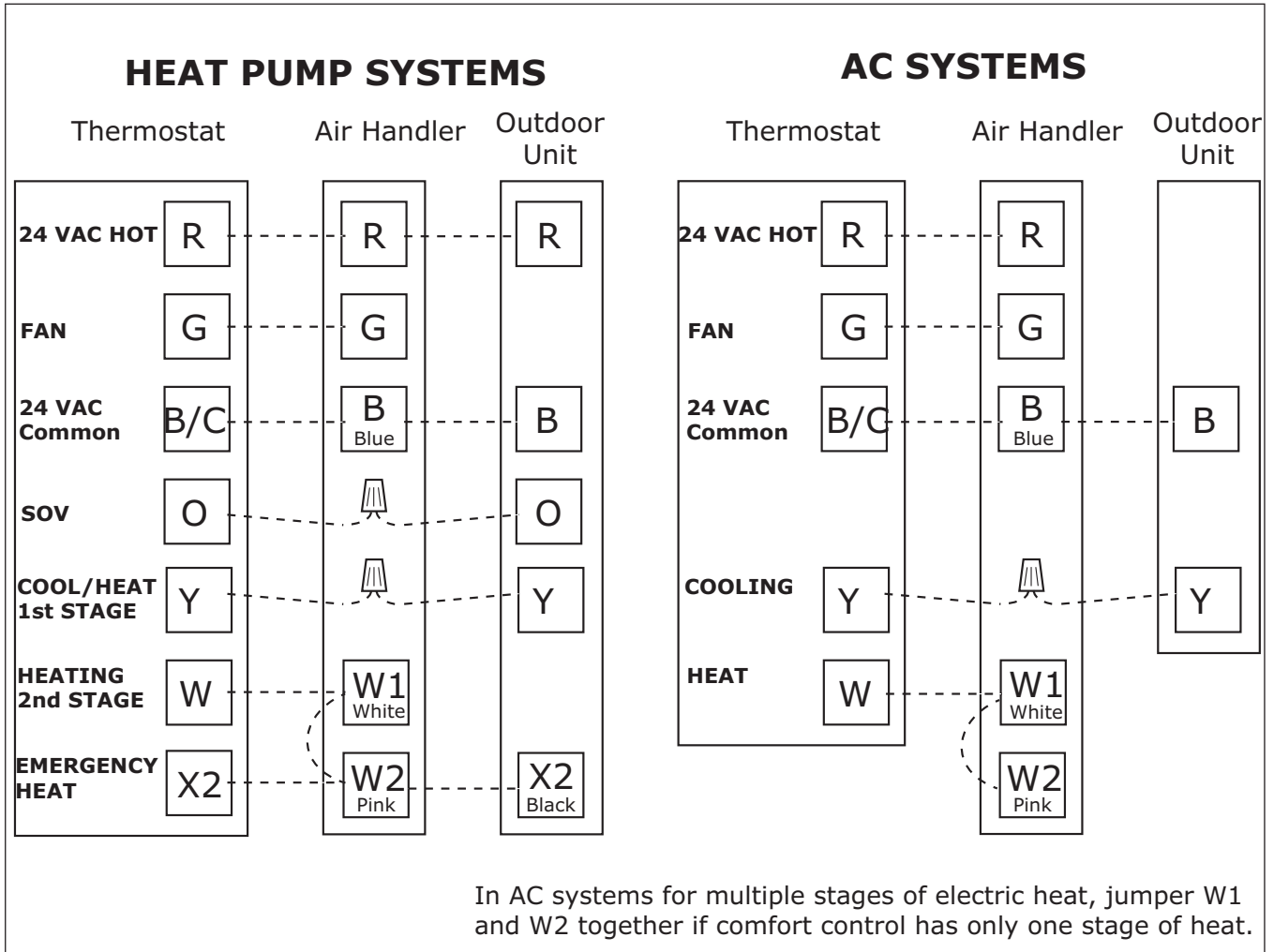
## 13. Maintenance

The system air filter(s) should be inspected, cleaned or replaced at least monthly. Make certain that the access panels are replaced and secured properly before placing the unit back in operation. This product is designed for dependable service; however, periodic maintenance should be scheduled and conducted by trained professional service personnel. This service should be conducted at least annually, and should include testing and inspection of electrical and refrigerant components. The heat transfer surface should be cleaned. The blower motor is permanently lubricated for normal operating conditions.



# Field Wiring

Figure 1. Field Wiring Diagrams



# Electrical Data

Figure 2. A4AH4P18-37

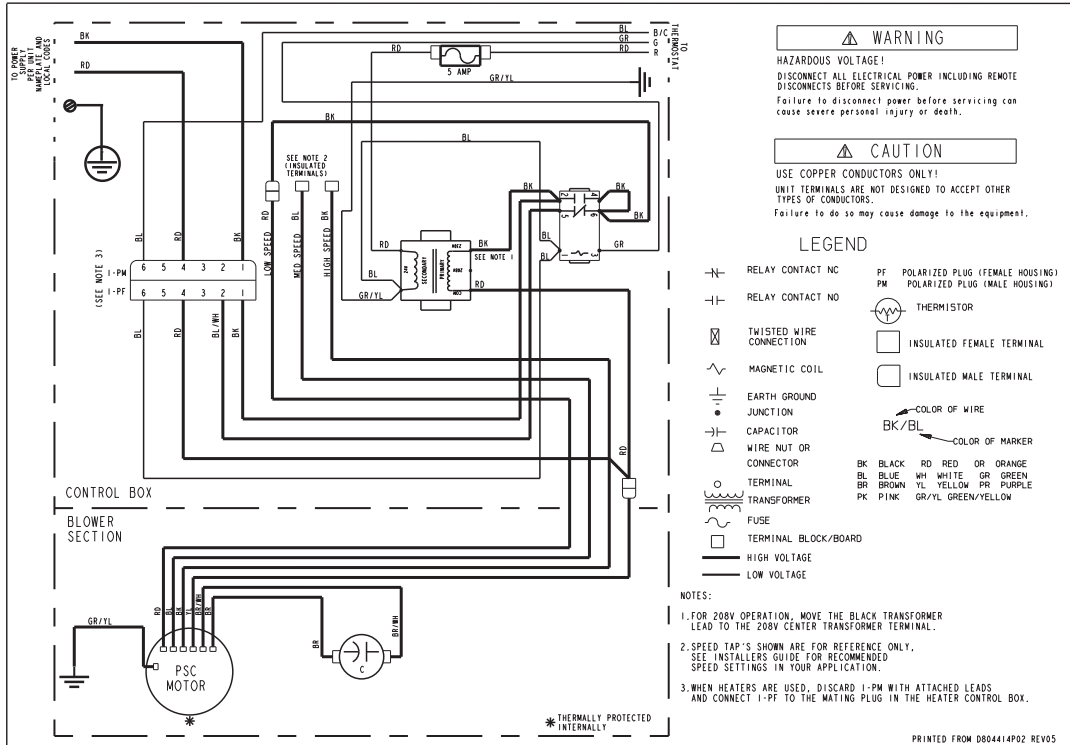
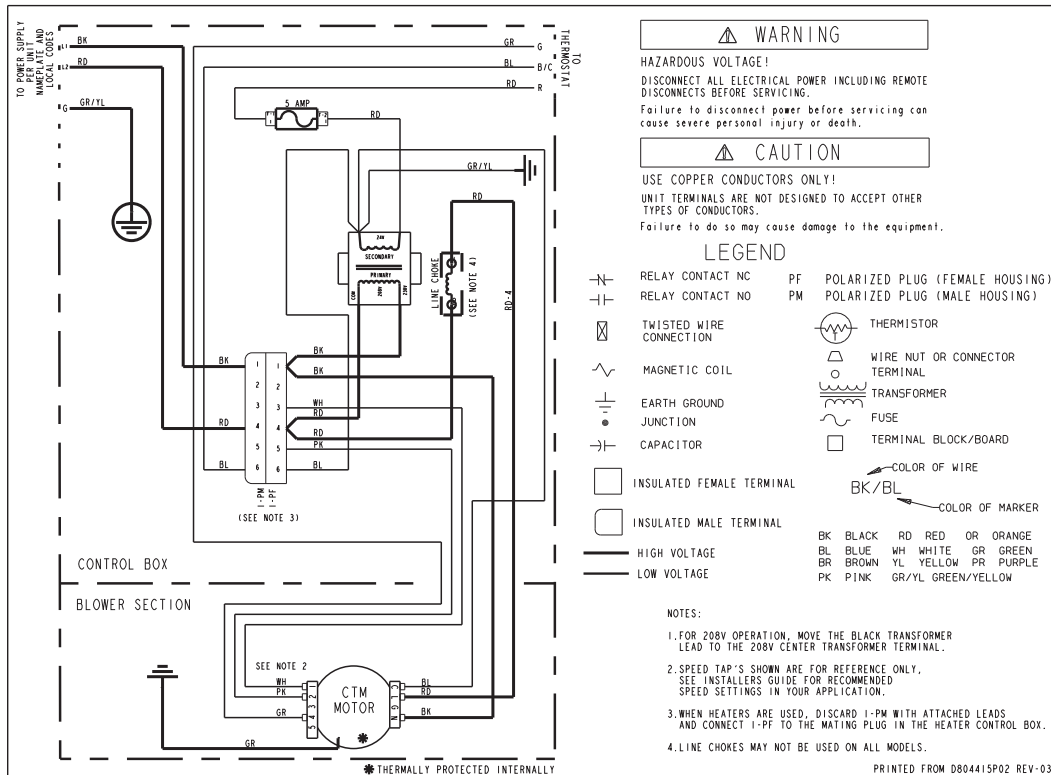


Figure 3. A4AH4E42-60



# Performance and Electrical Data

1. See Product Data or Air Handler nameplate for approved combinations of Air Handlers and Heaters.
2. Heater model numbers may have additional suffix digits.

**Table 3. Air Flow Performance**

| <b>A4AH4P18A1B60B, A4AH4P24A1B60B (a)</b> |                        |     |       |                        |     |       |
|---|------------------------|-----|-------|------------------------|-----|-------|
| EXTERNAL STATIC<br>(in w.g)               | AIRFLOW                |     |       |                        |     |       |
|   | Speed Taps — 230 VOLTS |     |       | Speed Taps — 208 VOLTS |     |       |
|   | High                   | Med | Low † | High                   | Med | Low † |
| 0.1                                       | 1094                   | 927 | 773   | 1052                   | 849 | 658   |
| 0.2                                       | 1032                   | 880 | 735   | 990                    | 807 | 624   |
| 0.3                                       | 955                    | 818 | 678   | 915                    | 750 | 578   |
| 0.4                                       | 864                    | 739 | 601   | 826                    | 679 | 518   |
| 0.5                                       | 759                    | 645 | 505   | 723                    | 591 | 441   |
| 0.6                                       | 639                    | 534 | 389   | 606                    | 490 |       |
| 0.7                                       | 505                    | 408 |       | 476                    | 374 |       |

1. Values are with wet coil, no filter, and no heaters  
 2. CFM Correction for dry coil = Add 3%  
 3. † = Factory setting

(a) For the A4AH4P24A1B60B, the recommended speed tap is medium at 0.4" external static pressure.

**Table 4. Electrical Data**

| <b>A4AH4P18A1B60B, A4AH4P24A1B60B</b> |                            |          |       |                         |                          |                             |          |       |                         |                          |                             |
|---------------------------------------|----------------------------|----------|-------|-------------------------|--------------------------|-----------------------------|----------|-------|-------------------------|--------------------------|-----------------------------|
| Heater Model No.                      | No. of Circuits/<br>Phases | 240 Volt |       |                         |                          |                             | 208 Volt |       |                         |                          |                             |
|                                       |                            | Capacity |       | Heater Amps per Circuit | Minimum Circuit Ampacity | Maximum Overload Protection | Capacity |       | Heater Amps per Circuit | Minimum Circuit Ampacity | Maximum Overload Protection |
|                                       |                            | kW       | BTUH  |                         |                          |                             | kW       | BTUH  |                         |                          |                             |
| No Heater                             |                            |          |       | 1.2 *                   | 2                        | 15                          |          |       | 1.2 *                   | 2                        | 15                          |
| BAYHTR1504BRK<br>BAYHTR1504LUG        | 1/1                        | 3.84     | 13100 | 16.0                    | 22                       | 25                          | 2.88     | 9800  | 13.8                    | 19                       | 20                          |
| BAYHTR1505BRK<br>BAYHTR1505LUG        | 1/1                        | 4.80     | 16400 | 20.0                    | 27                       | 30                          | 3.60     | 12300 | 17.3                    | 23                       | 25                          |
| BAYHTR1508BRK<br>BAYHTR1508LUG        | 1/1                        | 7.68     | 26200 | 32.0                    | 42                       | 45                          | 5.76     | 19700 | 27.7                    | 36                       | 40                          |
| BAYHTR1510BRK<br>BAYHTR1510LUG        | 1/1                        | 9.60     | 32800 | 40.0                    | 52                       | 60                          | 7.20     | 24600 | 34.6                    | 45                       | 45                          |
| BAYHTR3510LUG                         | 1/3                        | 9.60     | 32800 | 23.1                    | 30                       | 30                          | 7.20     | 24600 | 20.0                    | 26                       | 30                          |

\* = Motor Amps

## Performance and Electrical Data

**Table 5. Air Flow Performance**

| <b>A4AH4P30A1B60B, A4AH4P36A1B30B</b> |                        |      |       |                        |      |       |
|---------------------------------------|------------------------|------|-------|------------------------|------|-------|
| EXTERNAL STATIC<br>(in w.g)           | AIRFLOW                |      |       |                        |      |       |
|                                       | Speed Taps — 230 VOLTS |      |       | Speed Taps — 208 VOLTS |      |       |
|                                       | High                   | Med  | Low † | High                   | Med  | Low † |
| 0.1                                   | 1391                   | 1305 | 1059  | 1338                   | 1146 | 902   |
| 0.2                                   | 1305                   | 1231 | 1029  | 1257                   | 1098 | 868   |
| 0.3                                   | 1203                   | 1138 | 970   | 1159                   | 1027 | 817   |
| 0.4                                   | 1083                   | 1027 | 884   | 1044                   | 935  | 753   |
| 0.5                                   | 948                    | 899  | 769   | 913                    | 823  | 664   |
| 0.6                                   | 795                    | 752  | 626   | 766                    | 692  |       |
| 0.7                                   | 626                    | 587  |       | 603                    | 542  |       |

1. Values are with wet coil, no filter, and no heaters  
 2. CFM Correction for dry coil = Add 3%  
 3. † = Factory setting  
 4. In downflow applications, airflow must not exceed 1200 cfm due to condensate blowoff.

**Table 6. Electrical Data**

| <b>A4AH4P30A1B60B, A4AH4P36A1B30B</b>                                    |                               |          |       |                               |                                |                                   |          |       |                               |                                |                                   |
|--|-------------------------------|----------|-------|-------------------------------|--------------------------------|-----------------------------------|----------|-------|-------------------------------|--------------------------------|-----------------------------------|
| Heater Model No.   | No. of<br>Circuits/<br>Phases | 240 Volt |       |                               |                                |                                   | 208 Volt |       |                               |                                |                                   |
|  |                               | Capacity |       | Heater<br>Amps per<br>Circuit | Minimum<br>Circuit<br>Ampacity | Maximum<br>Overload<br>Protection | Capacity |       | Heater<br>Amps per<br>Circuit | Minimum<br>Circuit<br>Ampacity | Maximum<br>Overload<br>Protection |
|  |                               | kW       | BTUH  |                               |                                |                                   | kW       | BTUH  |                               |                                |                                   |
| No Heater  |                               |          |       | 2.0 *                         | 3                              | 15                                |          |       | 2.0 *                         | 3                              | 15                                |
| BAYHTR1504BRK<br>BAYHTR1504LUG   | 1/1                           | 3.84     | 13100 | 16.0                          | 23                             | 25                                | 2.88     | 9800  | 13.8                          | 20                             | 20                                |
| BAYHTR1505BRK<br>BAYHTR1505LUG   | 1/1                           | 4.8      | 16400 | 20.0                          | 28                             | 30                                | 3.6      | 12300 | 17.3                          | 24                             | 25                                |
| BAYHTR1508BRK<br>BAYHTR1508LUG   | 1/1                           | 7.68     | 26200 | 32.0                          | 43                             | 45                                | 5.76     | 19700 | 27.7                          | 37                             | 40                                |
| BAYHTR1510BRK<br>BAYHTR1510LUG   | 1/1                           | 9.6      | 32800 | 40.0                          | 53                             | 60                                | 7.2      | 24600 | 34.6                          | 46                             | 50                                |
| BAYHTR1517BRK-<br>Circuit 1 <sup>(a)</sup>                               | 2/1                           | 9.6      | 32800 | 40.0                          | 53                             | 60                                | 7.2      | 24600 | 34.6                          | 46                             | 50                                |
| BAYHTR1517BRK-<br>Circuit 2  |                               | 4.8      | 16400 | 20.0                          | 25                             | 25                                | 3.6      | 12300 | 17.3                          | 22                             | 25                                |
| BAYHTR3510LUG  | 1/3                           | 9.6      | 32800 | 23.1                          | 31                             | 35                                | 7.2      | 24600 | 20.0                          | 27                             | 30                                |
| BAYHTR3517LUG  | 1/3                           | 14.4     | 49200 | 34.6                          | 45                             | 50                                | 10.8     | 36900 | 30.0                          | 40                             | 40                                |
| BAYHTR1517BRK<br>with single circuit<br>power source kit<br>BAYSPEKT201A | 1/1                           | 14.4     | 49200 | 60.0                          | 83                             | 90                                | 10.8     | 36900 | 51.9                          | 73                             | 80                                |

\* = Motor Amps

<sup>(a)</sup> MCA and MOP for circuit 1 contains the motor amps

**Table 7. Air Flow Performance**

| <b>A4AH4P37A1C30B</b>       |                        |      |       |                        |      |       |
|-----------------------------|------------------------|------|-------|------------------------|------|-------|
| EXTERNAL STATIC<br>(in w.g) | AIRFLOW                |      |       |                        |      |       |
|                             | Speed Taps — 230 VOLTS |      |       | Speed Taps — 208 VOLTS |      |       |
|                             | High                   | Med  | Low † | High                   | Med  | Low † |
| 0.1                         | 1723                   | 1356 | 1254  | 1651                   | 1211 | 1129  |
| 0.2                         | 1682                   | 1340 | 1259  | 1631                   | 1216 | 1123  |
| 0.3                         | 1605                   | 1291 | 1228  | 1572                   | 1188 | 1096  |
| 0.4                         | 1492                   | 1211 | 1162  | 1474                   | 1127 | 1047  |
| 0.5                         | 1343                   | 1100 | 1059  | 1336                   | 1032 | 977   |
| 0.6                         | 1158                   | 957  | 919   | 1159                   | 905  | 886   |
| 0.7                         | 998                    | 782  |       | 942                    | 744  |       |

1. Values are with wet coil, no filter, and no heaters  
 2. CFM Correction for dry coil = Add 3%  
 3. † = Factory setting  
 4. The recommended speed tap is low at 0.5" external static pressure.  
 5. In downflow applications, airflow must not exceed 1600 cfm due to condensate blowoff.

**Table 8. Electrical Data**

| <b>A4AH4P37A1C30B</b>  |                            |          |       |                         |                          |                             |          |       |                         |                          |                             |
|--|----------------------------|----------|-------|-------------------------|--------------------------|-----------------------------|----------|-------|-------------------------|--------------------------|-----------------------------|
| Heater Model No.   | No. of Circuits/<br>Phases | 240 Volt |       |                         |                          |                             | 208 Volt |       |                         |                          |                             |
|  |                            | Capacity |       | Heater Amps per Circuit | Minimum Circuit Ampacity | Maximum Overload Protection | Capacity |       | Heater Amps per Circuit | Minimum Circuit Ampacity | Maximum Overload Protection |
|  |                            | kW       | BTUH  |                         |                          |                             | kW       | BTUH  |                         |                          |                             |
| No Heater  |                            |          |       | 2.5 *                   | 3                        | 15                          |          |       | 2.5 *                   | 3                        | 15                          |
| BAYHTR1504BRK<br>BAYHTR1504LUG   | 1/1                        | 3.84     | 13100 | 16.0                    | 23                       | 25                          | 2.88     | 9800  | 13.8                    | 20                       | 20                          |
| BAYHTR1505BRK<br>BAYHTR1505LUG   | 1/1                        | 4.8      | 16400 | 20.0                    | 28                       | 30                          | 3.6      | 12300 | 17.3                    | 25                       | 25                          |
| BAYHTR1508BRK<br>BAYHTR1508LUG   | 1/1                        | 7.68     | 26200 | 32.0                    | 43                       | 45                          | 5.76     | 19700 | 27.7                    | 38                       | 40                          |
| BAYHTR1510BRK<br>BAYHTR1510LUG   | 1/1                        | 9.6      | 32800 | 40.0                    | 53                       | 60                          | 7.2      | 24600 | 34.6                    | 46                       | 50                          |
| BAYHTR1517BRK-<br>Circuit 1 <sup>(a)</sup>                               | 2/1                        | 9.6      | 32800 | 40.0                    | 53                       | 60                          | 7.2      | 24600 | 34.6                    | 46                       | 50                          |
| BAYHTR1517BRK-<br>Circuit 2  |                            | 4.8      | 16400 | 20.0                    | 25                       | 25                          | 3.6      | 12300 | 17.3                    | 22                       | 25                          |
| BAYHTR1523BRK-<br>Circuit 1 <sup>(a)</sup>                               | 2/1                        | 9.6      | 32800 | 40.0                    | 53                       | 60                          | 7.2      | 24600 | 34.6                    | 46                       | 50                          |
| BAYHTR1523BRK-<br>Circuit 2  |                            | 9.6      | 32800 | 40.0                    | 50                       | 50                          | 7.2      | 24600 | 34.6                    | 43                       | 45                          |
| BAYHTR3510LUG  | 1/3                        | 9.6      | 32800 | 23.1                    | 32                       | 35                          | 7.2      | 24600 | 20.0                    | 28                       | 30                          |
| BAYHTR3517LUG  | 1/3                        | 14.4     | 49100 | 34.6                    | 46                       | 50                          | 10.8     | 36900 | 30.0                    | 40                       | 40                          |
| BAYHTR1517BRK<br>with single circuit<br>power source kit<br>BAYSPEKT201A | 1/1                        | 14.4     | 49200 | 60.0                    | 83                       | 90                          | 10.8     | 36900 | 51.9                    | 73                       | 80                          |
| BAYHTR1523BRK<br>with single circuit<br>power source kit<br>BAYSPEKT201A | 1/1                        | 19.2     | 65600 | 80.0                    | 108                      | 110                         | 14.4     | 49200 | 69.2                    | 94                       | 100                         |

\* = Motor Amps

<sup>(a)</sup> MCA and MOP for circuit 1 contains the motor amps

## Performance and Electrical Data

**Table 9. Air Flow Performance**

| <b>A4AH4E42A1C30B</b>       |                            |            |              |
|-----------------------------|----------------------------|------------|--------------|
| EXTERNAL STATIC<br>(in w.g) | AIRFLOW                    |            |              |
|                             | Speed Taps — 208–230 VOLTS |            |              |
|                             | <b>High</b>                | <b>Med</b> | <b>Low †</b> |
| 0.1                         | 1623                       | 1509       | 1403         |
| 0.2                         | 1583                       | 1465       | 1357         |
| 0.3                         | 1539                       | 1420       | 1309         |
| 0.4                         | 1494                       | 1373       | 1260         |
| 0.5                         | 1450                       | 1356       | 1211         |
| 0.6                         | 1399                       | 1276       | 1159         |
| 0.7                         | 1353                       | 1223       | 1102         |

1. Values are with wet coil, no filter, and no heaters  
 2. CFM Correction for dry coil = Add 3%  
 3. † = Factory setting  
 4. Low = Taps 1–3, Med = Tap 4, High = Tap 5  
 5. In downflow applications, airflow must not exceed 1600 cfm due to condensate blowoff.

**Table 10. Electrical Data**

| <b>A4AH4E42A1C30B</b>  |                            |          |       |                               |                                |                                   |          |       |                               |                                |                                   |
|--|----------------------------|----------|-------|-------------------------------|--------------------------------|-----------------------------------|----------|-------|-------------------------------|--------------------------------|-----------------------------------|
| Heater Model No.   | No. of Circuits/<br>Phases | 240 Volt |       |                               |                                |                                   | 208 Volt |       |                               |                                |                                   |
|  |                            | Capacity |       | Heater<br>Amps per<br>Circuit | Minimum<br>Circuit<br>Ampacity | Maximum<br>Overload<br>Protection | Capacity |       | Heater<br>Amps per<br>Circuit | Minimum<br>Circuit<br>Ampacity | Maximum<br>Overload<br>Protection |
|  |                            | kW       | BTUH  |                               |                                |                                   | kW       | BTUH  |                               |                                |                                   |
| No Heater  |                            |          |       | 4.20 *                        | 5                              | 15                                |          |       | 4.20 *                        | 5                              | 15                                |
| BAYHTR1504BRK<br>BAYHTR1504LUG   | 1/1                        | 3.84     | 13100 | 16.0                          | 25                             | 25                                | 2.88     | 9800  | 13.8                          | 23                             | 25                                |
| BAYHTR1505BRK<br>BAYHTR1505LUG   | 1/1                        | 4.8      | 16400 | 20.0                          | 30                             | 30                                | 3.6      | 12300 | 17.3                          | 27                             | 30                                |
| BAYHTR1508BRK<br>BAYHTR1508LUG   | 1/1                        | 7.68     | 26200 | 32.0                          | 45                             | 45                                | 5.76     | 19700 | 27.7                          | 40                             | 40                                |
| BAYHTR1510BRK<br>BAYHTR1510LUG   | 1/1                        | 9.6      | 32800 | 40.0                          | 55                             | 60                                | 7.2      | 24600 | 34.6                          | 49                             | 50                                |
| BAYHTR1517BRK-<br>Circuit 1 <sup>(a)</sup>                               | 2/1                        | 9.6      | 32800 | 40.0                          | 55                             | 60                                | 7.2      | 24600 | 34.6                          | 49                             | 50                                |
| BAYHTR1517BRK-<br>Circuit 2  |                            | 4.8      | 16400 | 20.0                          | 25                             | 25                                | 3.6      | 12300 | 17.3                          | 22                             | 25                                |
| BAYHTR1523BRK-<br>Circuit 1 <sup>(a)</sup>                               | 2/1                        | 9.6      | 32800 | 40.0                          | 55                             | 60                                | 7.2      | 24600 | 34.6                          | 49                             | 50                                |
| BAYHTR1523BRK-<br>Circuit 2  |                            | 9.6      | 32800 | 40.0                          | 50                             | 50                                | 7.2      | 24600 | 34.6                          | 43                             | 45                                |
| BAYHTR3510LUG  | 1/3                        | 9.6      | 32800 | 23.1                          | 34                             | 35                                | 7.2      | 24600 | 20.0                          | 30                             | 30                                |
| BAYHTR3517LUG  | 1/3                        | 14.4     | 49200 | 34.6                          | 48                             | 50                                | 10.8     | 36900 | 30.0                          | 42                             | 45                                |
| BAYHTR1517BRK<br>with single circuit<br>power source kit<br>BAYSPEKT201A | 1/1                        | 14.4     | 49200 | 60.0                          | 83                             | 90                                | 10.8     | 36900 | 51.9                          | 73                             | 80                                |
| BAYHTR1523BRK<br>with single circuit<br>power source kit<br>BAYSPEKT201A | 1/1                        | 19.2     | 65600 | 80.0                          | 108                            | 110                               | 14.4     | 49200 | 69.2                          | 94                             | 100                               |

\* = Motor Amps

<sup>(a)</sup> MCA and MOP for circuit 1 contains the motor amps.

**Table 11. Air Flow Performance**

| <b>A4AH4E48A1C30B</b>       |                        |      |       |
|-----------------------------|------------------------|------|-------|
| EXTERNAL STATIC<br>(in w.g) | AIRFLOW                |      |       |
|                             | Speed Taps — 230 VOLTS |      |       |
|                             | High                   | Med  | Low † |
| 0.1                         | 1784                   | 1698 | 1634  |
| 0.2                         | 1748                   | 1662 | 1595  |
| 0.3                         | 1715                   | 1627 | 1559  |
| 0.4                         | 1682                   | 1591 | 1521  |
| 0.5                         | 1650                   | 1558 | 1488  |
| 0.6                         | 1618                   | 1525 | 1455  |
| 0.7                         | 1499                   | 1494 | 1422  |

1. Values are with wet coil, no filter, and no heaters  
 2. CFM Correction for dry coil = Add 3%  
 3. † = Factory setting  
 4. Low = Taps 1-3, Med = Tap 4, High = Tap 5  
 5. In downflow applications, airflow must not exceed 1600 cfm due to condensate blowoff.

**Table 12. Electrical Data**

| <b>A4AH4E48A1C30B</b>           |                            |          |       |                         |                          |                             |          |       |                         |                          |                             |
|---------------------------------|----------------------------|----------|-------|-------------------------|--------------------------|-----------------------------|----------|-------|-------------------------|--------------------------|-----------------------------|
| Heater Model No.                | No. of Circuits/<br>Phases | 240 Volt |       |                         |                          |                             | 208 Volt |       |                         |                          |                             |
|                                 |                            | Capacity |       | Heater Amps per Circuit | Minimum Circuit Ampacity | Maximum Overload Protection | Capacity |       | Heater Amps per Circuit | Minimum Circuit Ampacity | Maximum Overload Protection |
|                                 |                            | kW       | BTUH  |                         |                          |                             | kW       | BTUH  |                         |                          |                             |
| No Heater                       |                            |          |       | 6.3 *                   | 8                        | 15                          |          |       | 6.3 *                   | 8                        | 15                          |
| BAYHTR1504BRK<br>BAYHTR1504LUG  | 1/1                        | 3.84     | 13100 | 16.0                    | 28                       | 30                          | 2.88     | 9800  | 13.8                    | 25                       | 25                          |
| BAYHTR1505BRK<br>BAYHTR1505LUG  | 1/1                        | 4.8      | 16400 | 20.0                    | 33                       | 35                          | 3.6      | 12300 | 17.3                    | 30                       | 30                          |
| BAYHTR1508BRK<br>BAYHTR1508LUG  | 1/1                        | 7.68     | 26200 | 32.0                    | 48                       | 50                          | 5.76     | 19700 | 27.7                    | 42                       | 45                          |
| BAYHTR1510BRK<br>BAYHTR1510LUG  | 1/1                        | 9.6      | 32800 | 40.0                    | 58                       | 60                          | 7.2      | 24600 | 34.6                    | 51                       | 60                          |
| BAYHTR1517BRK-<br>Circuit 1 (a) | 2/1                        | 9.6      | 32800 | 40.0                    | 58                       | 60                          | 7.2      | 24600 | 34.6                    | 51                       | 60                          |
| BAYHTR1517BRK-<br>Circuit 2     |                            | 4.8      | 16400 | 20.0                    | 25                       | 25                          | 3.6      | 12300 | 17.3                    | 22                       | 25                          |
| BAYHTR1523BRK-<br>Circuit 1 (a) | 2/1                        | 9.6      | 32800 | 40.0                    | 58                       | 60                          | 7.2      | 24600 | 34.6                    | 51                       | 60                          |
| BAYHTR1523BRK-<br>Circuit 2     |                            | 9.6      | 32800 | 40.0                    | 50                       | 50                          | 7.2      | 24600 | 34.6                    | 43                       | 45                          |
| BAYHTR1525BRK-<br>Circuit 1 (a) | 4/1                        | 6.0      | 20500 | 25.0                    | 39                       | 40                          | 4.5      | 15400 | 21.6                    | 35                       | 35                          |
| BAYHTR1525BRK-<br>Circuit 2     |                            | 6.0      | 20500 | 25.0                    | 31                       | 35                          | 4.5      | 15400 | 21.6                    | 27                       | 30                          |
| BAYHTR1525BRK-<br>Circuit 3     |                            | 6.0      | 20500 | 25.0                    | 31                       | 35                          | 4.5      | 15400 | 21.6                    | 27                       | 30                          |
| BAYHTR1525BRK-<br>Circuit 4     |                            | 6.0      | 20500 | 25.0                    | 31                       | 35                          | 4.5      | 15400 | 21.6                    | 27                       | 30                          |
| BAYHTR3510LUG                   | 1/3                        | 9.6      | 32800 | 23.1                    | 36                       | 40                          | 7.2      | 24600 | 20.0                    | 32                       | 35                          |
| BAYHTR3517LUG                   | 1/3                        | 14.4     | 49100 | 34.6                    | 50                       | 50                          | 10.8     | 36900 | 30.0                    | 44                       | 45                          |



## Performance and Electrical Data

---

**Table 12. Electrical Data (continued)**

| <b>A4AH4E48A1C30B</b>  |     |      |       |      |     |     |      |       |      |    |     |
|--|-----|------|-------|------|-----|-----|------|-------|------|----|-----|
| BAYHTR1517BRK<br>with single circuit<br>power source kit<br>BAYSPEKT201A | 1/1 | 14.4 | 49200 | 60.0 | 83  | 90  | 10.8 | 36900 | 51.9 | 73 | 80  |
| BAYHTR1523BRK<br>with single circuit<br>power source kit<br>BAYSPEKT201A | 1/1 | 19.2 | 65600 | 80.0 | 108 | 110 | 14.4 | 49200 | 69.2 | 94 | 100 |
| * = Motor Amps   |     |      |       |      |     |     |      |       |      |    |     |

(a) MCA and MOP for circuit 1 contains the motor amps.

**Table 13. Air Flow Performance**

| <b>A4AH4E60A1C30B</b>       |                              |                 |              |
|-----------------------------|------------------------------|-----------------|--------------|
| EXTERNAL STATIC<br>(in w.g) | AIRFLOW                      |                 |              |
|                             | Speed Taps — 208 – 230 VOLTS |                 |              |
|                             | <b>High</b>                  | <b>Med-High</b> | <b>Med †</b> |
| 0.1                         | 1836                         | 1744            | 1665         |
| 0.2                         | 1790                         | 1698            | 1612         |
| 0.3                         | 1743                         | 1650            | 1560         |
| 0.4                         | 1694                         | 1601            | 1509         |
| 0.5                         | 1644                         | 1550            | 1457         |
| 0.6                         | 1593                         | 1499            | 1406         |
| 0.7                         | 1540                         | 1447            | 1355         |

1. Values are with wet coil, no filter, and no heaters  
 2. CFM Correction for dry coil = Add 3%  
 3. † = Factory Setting  
 4. Low = Taps 1-3, Med = Tap 4, High = Tap 5  
 5. BAYTEMDFKT1A must be used for downflow applications and airflow must not exceed 1800 cfm due to condensate blowoff.

**Table 14. Electrical Data**

| <b>A4AH4E60A1C30B</b>           |                            |          |       |                         |                          |                             |          |       |                         |                          |                             |
|---------------------------------|----------------------------|----------|-------|-------------------------|--------------------------|-----------------------------|----------|-------|-------------------------|--------------------------|-----------------------------|
| Heater Model No.                | No. of Circuits/<br>Phases | 240 Volt |       |                         |                          |                             | 208 Volt |       |                         |                          |                             |
|                                 |                            | Capacity |       | Heater Amps per Circuit | Minimum Circuit Ampacity | Maximum Overload Protection | Capacity |       | Heater Amps per Circuit | Minimum Circuit Ampacity | Maximum Overload Protection |
|                                 |                            | kW       | BTUH  |                         |                          |                             | kW       | BTUH  |                         |                          |                             |
| No Heater                       |                            |          |       | 6.3 *                   | 8                        | 15                          |          |       | 6.3 *                   | 8                        | 15                          |
| BAYHTR1504BRK<br>BAYHTR1504LUG  | 1/1                        | 3.84     | 13100 | 16.0                    | 28                       | 30                          | 2.88     | 9800  | 13.8                    | 25                       | 25                          |
| BAYHTR1505BRK<br>BAYHTR1505LUG  | 1/1                        | 4.8      | 16400 | 20.0                    | 33                       | 35                          | 3.6      | 12300 | 17.3                    | 30                       | 30                          |
| BAYHTR1508BRK<br>BAYHTR1508LUG  | 1/1                        | 7.68     | 26200 | 32.0                    | 48                       | 50                          | 5.76     | 19700 | 27.7                    | 42                       | 45                          |
| BAYHTR1510BRK<br>BAYHTR1510LUG  | 1/1                        | 9.6      | 32800 | 40.0                    | 58                       | 60                          | 7.2      | 24600 | 34.6                    | 51                       | 60                          |
| BAYHTR1517BRK-<br>Circuit 1 (a) | 2/1                        | 9.6      | 32800 | 40.0                    | 58                       | 60                          | 7.2      | 24600 | 34.6                    | 51                       | 60                          |
| BAYHTR1517BRK-<br>Circuit 2     |                            | 4.8      | 16400 | 20.0                    | 25                       | 25                          | 3.6      | 12300 | 17.3                    | 22                       | 25                          |
| BAYHTR1523BRK-<br>Circuit 1 (a) | 2/1                        | 9.6      | 32800 | 40.0                    | 58                       | 60                          | 7.2      | 24600 | 34.6                    | 51                       | 60                          |
| BAYHTR1523BRK-<br>Circuit 2     |                            | 9.6      | 32800 | 40.0                    | 50                       | 50                          | 7.2      | 24600 | 34.6                    | 43                       | 45                          |
| BAYHTR1525BRK-<br>Circuit 1 (a) | 4/1                        | 6.0      | 20500 | 25.0                    | 39                       | 40                          | 4.5      | 15400 | 21.6                    | 35                       | 35                          |
| BAYHTR1525BRK-<br>Circuit 2     |                            | 6.0      | 20500 | 25.0                    | 31                       | 35                          | 4.5      | 15400 | 21.6                    | 27                       | 30                          |
| BAYHTR1525BRK-<br>Circuit 3     |                            | 6.0      | 20500 | 25.0                    | 31                       | 35                          | 4.5      | 15400 | 21.6                    | 27                       | 30                          |
| BAYHTR1525BRK-<br>Circuit 4     |                            | 6.0      | 20500 | 25.0                    | 31                       | 35                          | 4.5      | 15400 | 21.6                    | 27                       | 30                          |
| BAYHTR3510LUG                   | 1/3                        | 9.6      | 32800 | 23.1                    | 36                       | 40                          | 7.2      | 24600 | 20.0                    | 32                       | 35                          |
| BAYHTR3517LUG                   | 1/3                        | 14.4     | 49100 | 34.6                    | 50                       | 50                          | 10.8     | 36900 | 30.0                    | 44                       | 45                          |

## Performance and Electrical Data

---

**Table 14. Electrical Data (continued)**

| <b>A4AH4E60A1C30B</b>  |     |      |       |      |     |     |      |       |      |    |     |
|--|-----|------|-------|------|-----|-----|------|-------|------|----|-----|
| BAYHTR1517BRK<br>with single circuit<br>power source kit<br>BAYSPEKT201A | 1/1 | 14.4 | 49200 | 60.0 | 83  | 90  | 10.8 | 36900 | 51.9 | 73 | 80  |
| BAYHTR1523BRK<br>with single circuit<br>power source kit<br>BAYSPEKT201A | 1/1 | 19.2 | 65600 | 80.0 | 108 | 110 | 14.4 | 49200 | 69.2 | 94 | 100 |
| * = Motor Amps   |     |      |       |      |     |     |      |       |      |    |     |

(a) MCA and MOP for circuit 1 contains the motor amps.

# Minimum Airflow CFM

| <b>A4AH4P18A1B60B, A4AH4P24A1B60B</b>                                     |                               |                   |
|---|-------------------------------|-------------------|
| <b>Heater</b>   | <b>Minimum Heat Speed Tap</b> |                   |
|   | With Heat Pump                | Without Heat Pump |
| BAYHTR1504BRK, BAYHTR1504LUG, BAYHTR1505BRK, BAYHTR1505LUG                | Med                           | Low               |
| BAYHTR1508BRK, BAYHTR1508LUG, BAYHTR1510BRK, BAYHTR1510LUG, BAYHTR3510LUG | Med                           | Low               |

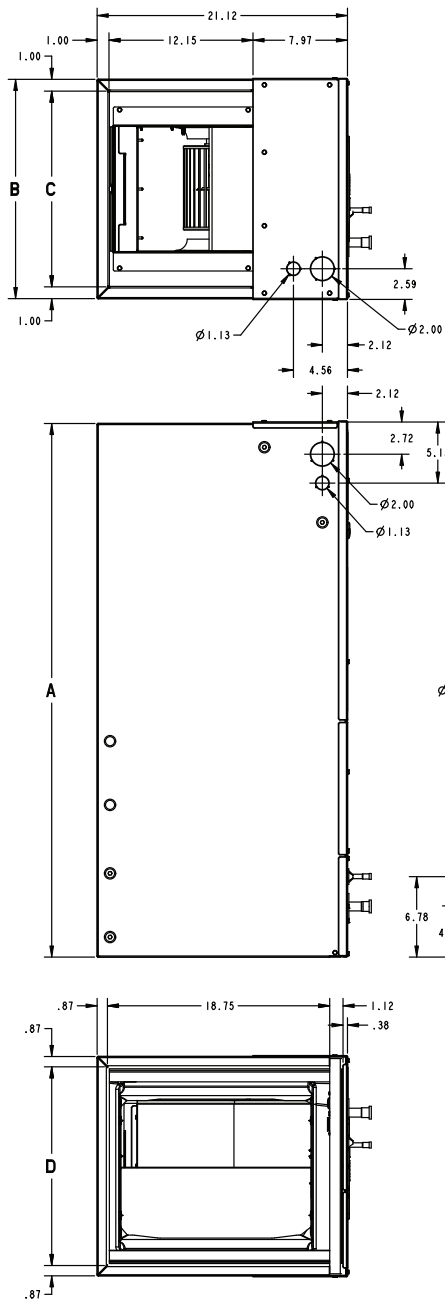
| <b>A4AH4P30A1B60B, A4AH4P36A1B30B</b>                                     |                               |                   |
|---|-------------------------------|-------------------|
| <b>Heater</b>   | <b>Minimum Heat Speed Tap</b> |                   |
|   | With Heat Pump                | Without Heat Pump |
| BAYHTR1504BRK, BAYHTR1504LUG, BAYHTR1505BRK, BAYHTR1505LUG                | Low                           | Low               |
| BAYHTR1508BRK, BAYHTR1508LUG, BAYHTR1510BRK, BAYHTR1510LUG, BAYHTR3510LUG | Low                           | Low               |
| BAYHTR1517BRK   | Med                           | Low               |
| BAYHTR3517LUG   | High                          | Low               |

| <b>A4AH4P37A1C30B</b>   |                               |                   |
|---|-------------------------------|-------------------|
| <b>Heater</b>   | <b>Minimum Heat Speed Tap</b> |                   |
|   | With Heat Pump                | Without Heat Pump |
| BAYHTR1504BRK, BAYHTR1504LUG, BAYHTR1505BRK, BAYHTR1505LUG                | Low                           | Low               |
| BAYHTR1508BRK, BAYHTR1508LUG, BAYHTR1510BRK, BAYHTR1510LUG, BAYHTR3510LUG | Low                           | Low               |
| BAYHTR1517BRK   | Low                           | Low               |
| BAYHTR1523BRK   | High                          | High              |
| BAYHTR3517LUG   | Low                           | Low               |

| <b>A4AH4E42A1C30B</b>   |                               |                   |
|---|-------------------------------|-------------------|
| <b>Heater</b>   | <b>Minimum Heat Speed Tap</b> |                   |
|   | With Heat Pump                | Without Heat Pump |
| BAYHTR1504BRK, BAYHTR1504LUG, BAYHTR1505BRK, BAYHTR1505LUG                | Low                           | Low               |
| BAYHTR1508BRK, BAYHTR1508LUG, BAYHTR1510BRK, BAYHTR1510LUG, BAYHTR3510LUG | Low                           | Low               |
| BAYHTR1517BRK   | Low                           | Low               |
| BAYHTR1523BRK   | Med                           | Low               |
| BAYHTR3517LUG   | Low                           | Low               |

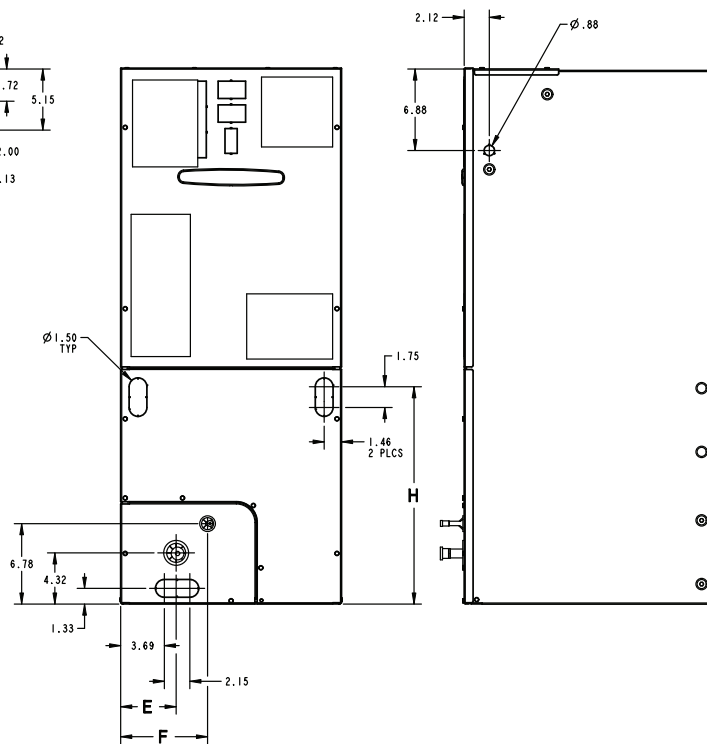
| <b>A4AH4E48A1C30B, A4AH4E60A1C30B</b>                                     |                               |                   |
|---|-------------------------------|-------------------|
| <b>Heater</b>   | <b>Minimum Heat Speed Tap</b> |                   |
|   | With Heat Pump                | Without Heat Pump |
| BAYHTR1504BRK, BAYHTR1504LUG, BAYHTR1505BRK, BAYHTR1505LUG                | Low                           | Low               |
| BAYHTR1508BRK, BAYHTR1508LUG, BAYHTR1510BRK, BAYHTR1510LUG, BAYHTR3510LUG | Low                           | Low               |
| BAYHTR1517BRK   | Low                           | Low               |
| BAYHTR1523BRK   | Med-Low                       | Med-Low           |
| BAYHTR1525BRK   | Med                           | Med-Low           |
| BAYHTR3517LUG   | Low                           | Low               |

# Outline Drawing



| MINIMUM UNIT CLEARANCE TABLE |                                 |
|------------------------------|---------------------------------|
|                              | SERVICE CLEARANCE (RECOMMENDED) |
| SIDES                        | 2"                              |
| FRONT                        | 21"                             |
| BACK                         | 0"                              |
| INLET DUCT                   | 1"                              |
| OUTLET DUCT                  | N/A                             |

NOTE: THIS UNIT IS APPROVED FOR INSTALLATION CLEARANCES TO COMBUSTIBLE MATERIAL AS STATED ON THE UNIT RATING NAMEPLATE



## PRODUCT DIMENSIONS

| Air Handler Model       | A     | B     | C     | D     | E    | F    | H     | Flow Control | Gas Line Braze |
|-------------------------|-------|-------|-------|-------|------|------|-------|--------------|----------------|
| A4AH4P18, 24, 30        | 45.02 | 18.50 | 16.50 | 16.75 | 4.68 | 7.33 | 18.34 | Orifice      | 3/4            |
| A4AH4P36                | 45.02 | 18.50 | 16.50 | 16.75 | 4.68 | 7.33 | 18.34 | TXV          | 3/4            |
| A4AH4P37, E42, E48, E60 | 51.27 | 23.50 | 21.50 | 21.75 | 7.01 | 9.66 | 24.59 | TXV          | 7/8            |

All dimensions are in inches

# Fixed Orifice Superheat Charging Table

| Outdoor Dry Bulb Temperature (F) | Indoor Wet Bulb Temp (F) |    |    |    |    |    |    |    |    |    |    |    |    |    |    |    |    |    |    |    |    |    |    |    |    |    |    |    |    |
|----------------------------------|--------------------------|----|----|----|----|----|----|----|----|----|----|----|----|----|----|----|----|----|----|----|----|----|----|----|----|----|----|----|----|
|                                  | 50                       | 51 | 52 | 53 | 54 | 55 | 56 | 57 | 58 | 59 | 60 | 61 | 62 | 63 | 64 | 65 | 66 | 67 | 68 | 69 | 70 | 71 | 72 | 73 | 74 | 75 | 76 | 77 | 78 |
| 55                               | 7                        | 9  | 10 | 11 | 12 | 14 | 15 | 17 | 18 | 20 | 21 | 23 | 24 | 26 | 27 | 29 | 30 |    |    |    |    |    |    |    |    |    |    |    |    |
| 60                               | 5                        | 7  | 8  | 9  | 10 | 12 | 13 | 15 | 16 | 18 | 19 | 21 | 22 | 24 | 25 | 27 | 28 | 30 | 31 |    |    |    |    |    |    |    |    |    |    |
| 65                               |                          |    | 4  | 6  | 8  | 10 | 11 | 13 | 14 | 16 | 17 | 18 | 19 | 21 | 22 | 24 | 25 | 27 | 28 | 27 | 31 |    |    |    |    |    |    |    |    |
| 70                               |                          |    |    |    | 5  | 7  | 8  | 10 | 11 | 13 | 14 | 16 | 17 | 18 | 19 | 21 | 22 | 24 | 25 | 27 | 28 | 30 | 31 |    |    |    |    |    |    |
| 75                               |                          |    |    |    |    | 5  | 6  | 7  | 9  | 10 | 12 | 14 | 16 | 18 | 19 | 21 | 22 | 24 | 26 | 28 | 29 | 31 | 32 |    |    |    |    |    |    |
| 80                               |                          |    |    |    |    |    |    | 4  | 6  | 7  | 9  | 10 | 11 | 12 | 14 | 16 | 18 | 19 | 21 | 23 | 25 | 26 | 28 | 29 | 31 | 33 |    |    |    |
| 85                               |                          |    |    |    |    |    |    |    | 4  | 6  | 7  | 9  | 10 | 13 | 14 | 16 | 18 | 20 | 21 | 23 | 24 | 26 | 28 | 29 | 30 | 31 | 32 |    |    |
| 90                               |                          |    |    |    |    |    |    |    |    |    |    | 4  | 6  | 8  | 10 | 11 | 13 | 14 | 16 | 18 | 20 | 22 | 24 | 25 | 27 | 28 | 30 | 31 |    |
| 95                               |                          |    |    |    |    |    |    |    |    |    |    |    |    | 4  | 6  | 8  | 10 | 13 | 14 | 16 | 18 | 20 | 22 | 23 | 25 | 26 | 28 | 29 |    |
| 100                              |                          |    |    |    |    |    |    |    |    |    |    |    |    |    |    | 6  | 8  | 10 | 12 | 13 | 16 | 18 | 20 | 21 | 23 | 25 | 27 | 29 |    |
| 105                              |                          |    |    |    |    |    |    |    |    |    |    |    |    |    |    | 4  | 6  | 7  | 9  | 11 | 13 | 15 | 18 | 20 | 22 | 24 | 26 | 28 |    |
| 110                              |                          |    |    |    |    |    |    |    |    |    |    |    |    |    |    |    | 4  | 7  | 9  | 11 | 13 | 16 | 18 | 21 | 23 | 26 | 28 |    |    |
| 115                              |                          |    |    |    |    |    |    |    |    |    |    |    |    |    |    |    |    |    | 6  | 9  | 12 | 14 | 16 | 19 | 21 | 24 | 26 |    |    |

Using a digital psychrometer, measure the return air wet-bulb temperature at the unit just before the coil. Also measure the outdoor dry-bulb temperature. Use these temperatures to locate the target superheat on the charging table. Do not attempt to charge the system if these conditions fall outside of this charging table.  
 ADD refrigerant to DECREASE total superheat. REMOVE refrigerant to INCREASE total superheat. Always allow 10 to 15 minutes of operation after any refrigerant or air flow change prior to determining the final superheat.

## Heater Pressure Drop Table A4AH4 Air Handler Models

| Airflow CFM | Number of Racks                 |      |      |      | Heater Racks |              |
|-------------|---------------------------------|------|------|------|--------------|--------------|
|             | 1                               | 2    | 3    | 4    | Heater Model | No. of Racks |
|             | Air Pressure Drop — Inches W.G. |      |      |      |              |              |
| 1800        | 0.02                            | 0.04 | 0.06 | 0.14 | BAYHTR1504   | 1            |
| 1700        | 0.02                            | 0.04 | 0.06 | 0.14 | BAYHTR1505   | 1            |
| 1600        | 0.02                            | 0.04 | 0.06 | 0.13 | BAYHTR1508   | 2            |
| 1500        | 0.02                            | 0.04 | 0.06 | 0.12 | BAYHTR1510   | 2            |
| 1400        | 0.02                            | 0.04 | 0.06 | 0.12 | BAYHTR3510   | 3            |
| 1300        | 0.02                            | 0.04 | 0.05 | 0.11 | BAYHTR1517   | 3            |
| 1200        | 0.01                            | 0.04 | 0.05 | 0.10 | BAYHTR3517   | 3            |
| 1100        | 0.01                            | 0.03 | 0.05 | 0.09 | BAYHTR1523   | 4            |
| 1000        | 0.01                            | 0.03 | 0.04 | 0.09 | BAYHTR1525   | 4            |
| 900         | 0.01                            | 0.03 | 0.04 | 0.08 |              |              |
| 800         | 0.01                            | 0.03 |      |      |              |              |
| 700         | 0.01                            | 0.02 |      |      |              |              |
| 600         | 0.01                            | 0.02 |      |      |              |              |

# Coil Conversion Instructions

Table 15. Downflow

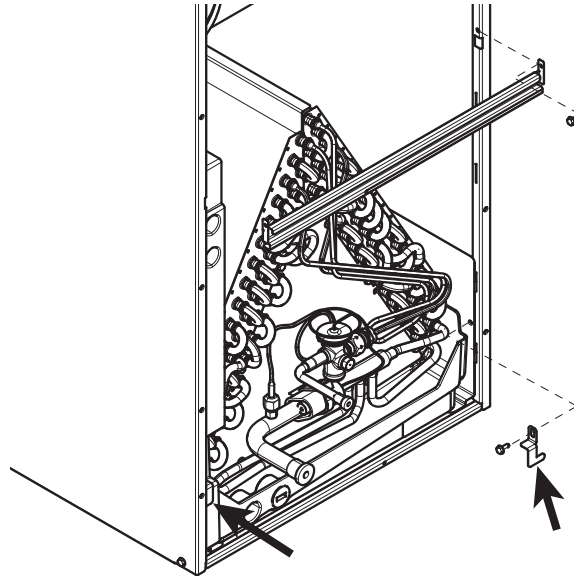
**Important:** Restrictions apply to Downflow applications.

1. For 2.5 ton downflow applications, airflow must not exceed 1200 cfm due to condensate blowoff.
2. For 3, 3.5 and 4 ton downflow applications, airflow must not exceed 1600 cfm due to condensate blowoff.
3. For 5 ton downflow applications, BAYTEMDFKT1A must be used at all times and airflow must not exceed 1800 cfm.

Follow the conversion steps when installing the air handler in downflow configuration.

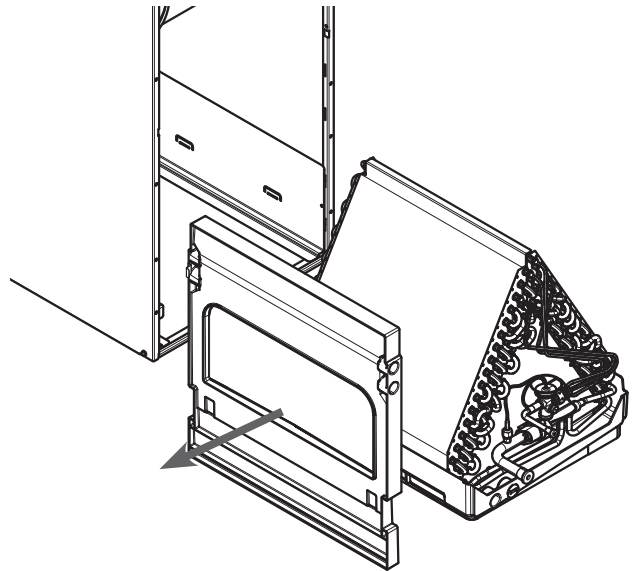
1. Remove the front panels from the air handler. The coil and line set panel do not need to be separated.
2. Remove the two coil retaining brackets located at the front of the drain pan. Each is held in place by one screw. Discard brackets.
3. Remove the two screws holding the center horizontal brace and rotate out of place. Retain parts.

Figure 4.



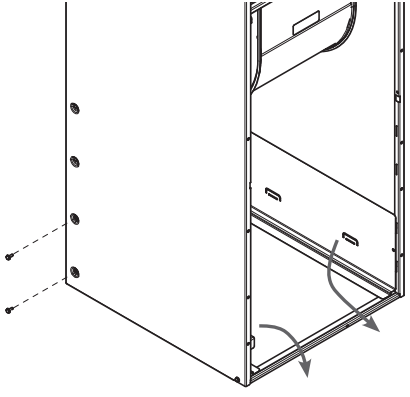
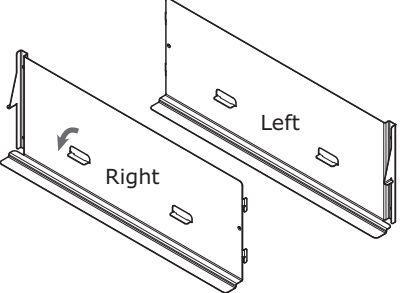
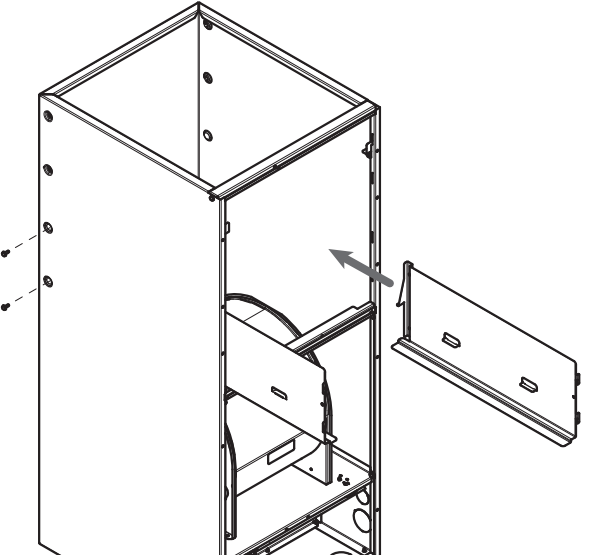
4. Slide the coil assembly out. Remove and discard the horizontal drain pan.

Figure 5. All other models





**Table 15. Downflow (continued)**

|   |   |
|---|---|
| <ol style="list-style-type: none"> <li>5. On both sides of the cabinet, remove the two screws that hold the coil support brackets. Seal the holes to prevent air leakage.</li> <li>6. Rotate and lift the two coil support brackets to remove from front slots in cabinet.</li> </ol>   | <p style="text-align: center;"><b>Figure 6. All models</b></p>    |
| <ol style="list-style-type: none"> <li>7. Bend the two tabs on each of the coil support brackets. Tabs should be bent inward so they are parallel to the bottom flange.</li> </ol>  | <p style="text-align: center;"><b>Figure 7. All models</b></p>   |
| <ol style="list-style-type: none"> <li>8. Rotate the unit into the downflow orientation.</li> <li>9. Pre-drill four clearance holes in the cabinet at dimples located below the location the screws were removed for the coil support brackets. There are two holes per side. See location of holes</li> <li>10. Replace the center horizontal bracket using the screws removed in a previous step.</li> <li>11. Place coil support brackets into the lower set of slots and rotate into place. Push downward to lock into place.</li> <li>12. Secure each bracket with 2 screws that were previously removed.</li> </ol> | <p style="text-align: center;"><b>Figure 8. All models</b></p>  |

# Coil Conversion Instructions

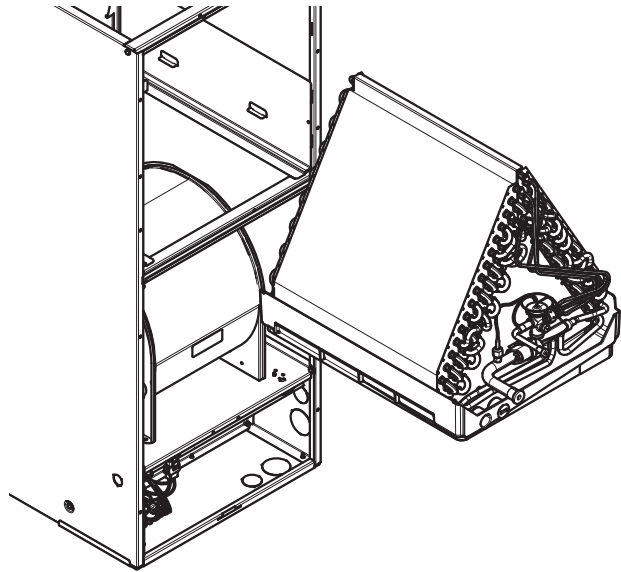
**Table 15. Downflow (continued)**



BAYTEMDFKT1A downflow kit is required for the A4AH4E60A1C30B. Installation instructions are included with the kit.

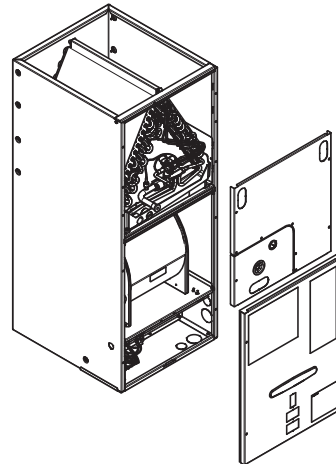
- 13. Slide the coil assembly back into the air handler cabinet as shown
- 14. Remove the appropriate knock out for the condensate piping.

**Figure 9. All other models**



- 15. Replace all panels

**Figure 10. All other models**



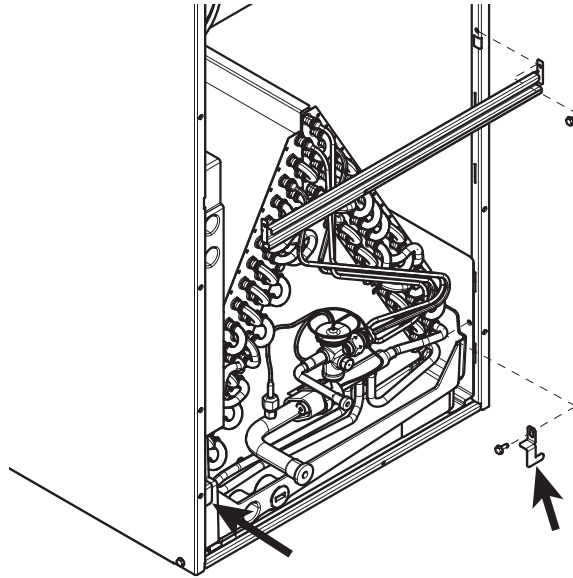
## Coil Conversion

**Table 16. Horizontal Right**

Follow the conversion steps when installing the air handler in horizontal right configuration.

1. Remove the front panels from the air handler. The coil and line set panel do not need to be separated.
2. Remove the two coil retaining brackets located at the front of the drain pan. Each is held in place by one screw. Save brackets and screws. [Figure 11, p. 25](#)
3. Remove the two screws holding the center horizontal brace and rotate out of place. Retain parts. [Figure 11, p. 25](#)

**Figure 11.**

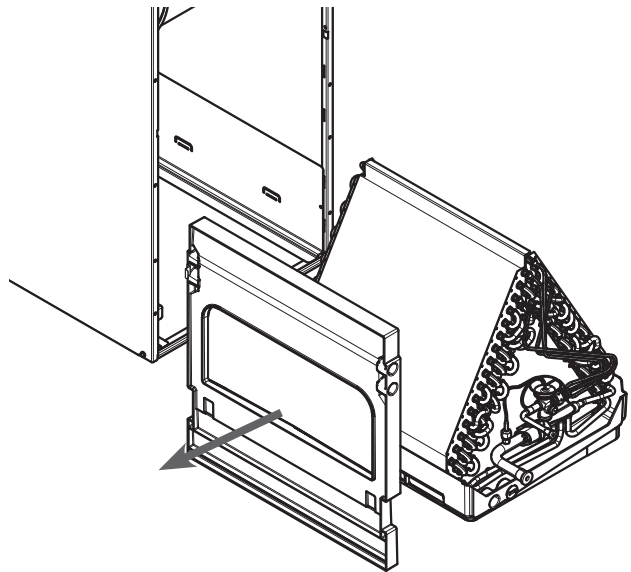


4. Make note of the horizontal drain pan orientation (up/down).
5. Slide the coil assembly out.
6. Change location of the water diverter bracket by removing the screws on the water diverter bracket that is located on the left side of the coil. Attach the water diverter to the right hand side of the coil using the same screws.

**Important:** The coil slabs are different and the mount hole locations will vary. See the illustrations on the following pages that correspond to the unit tonnage to see the correct mounting position of the water diverter bracket.

**Important:** The water diverter brackets are not symmetrical and will vary by tonnage.

**Figure 12. All other models**



# Coil Conversion Instructions

**Table 16. Horizontal Right (continued)**

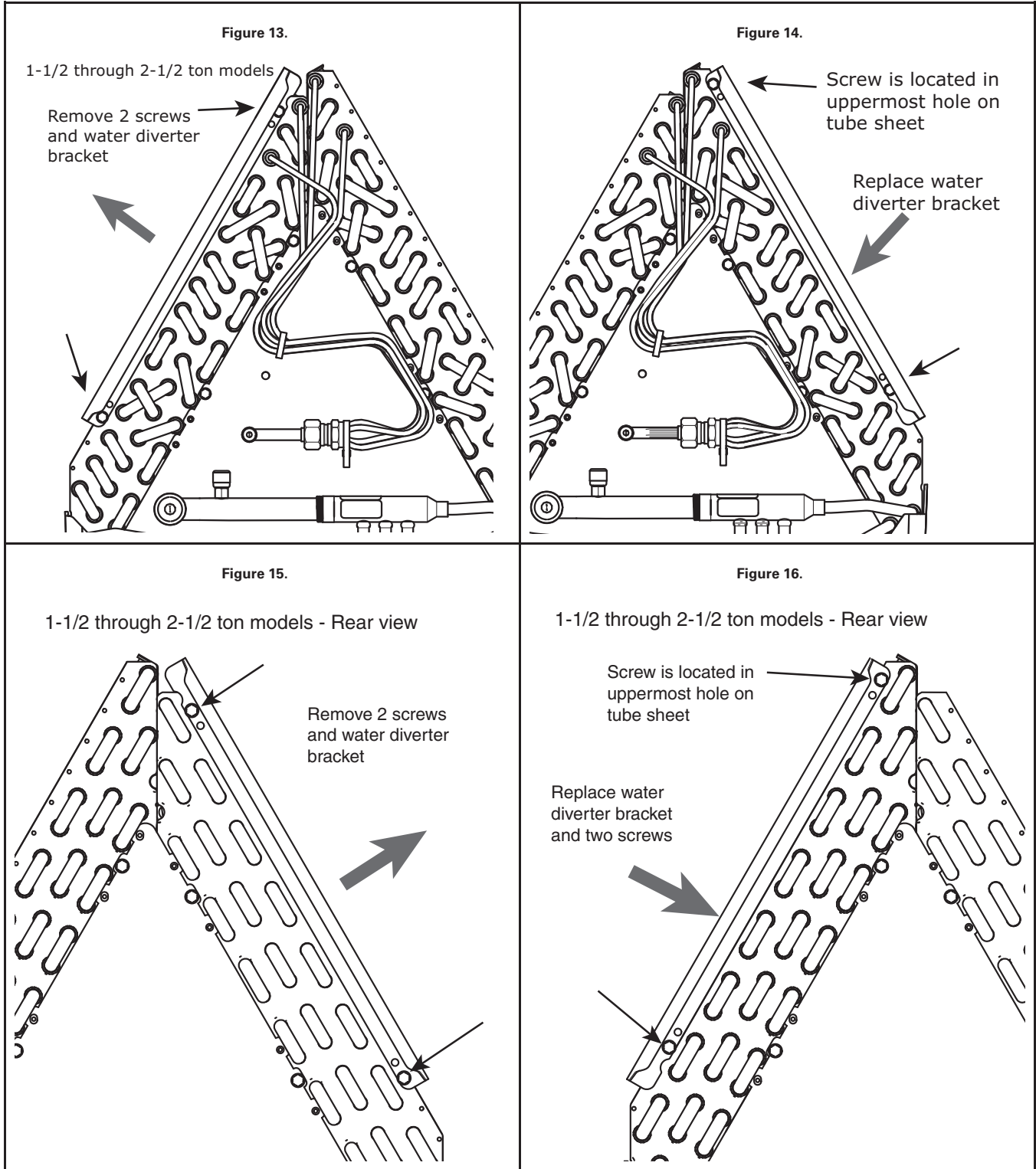
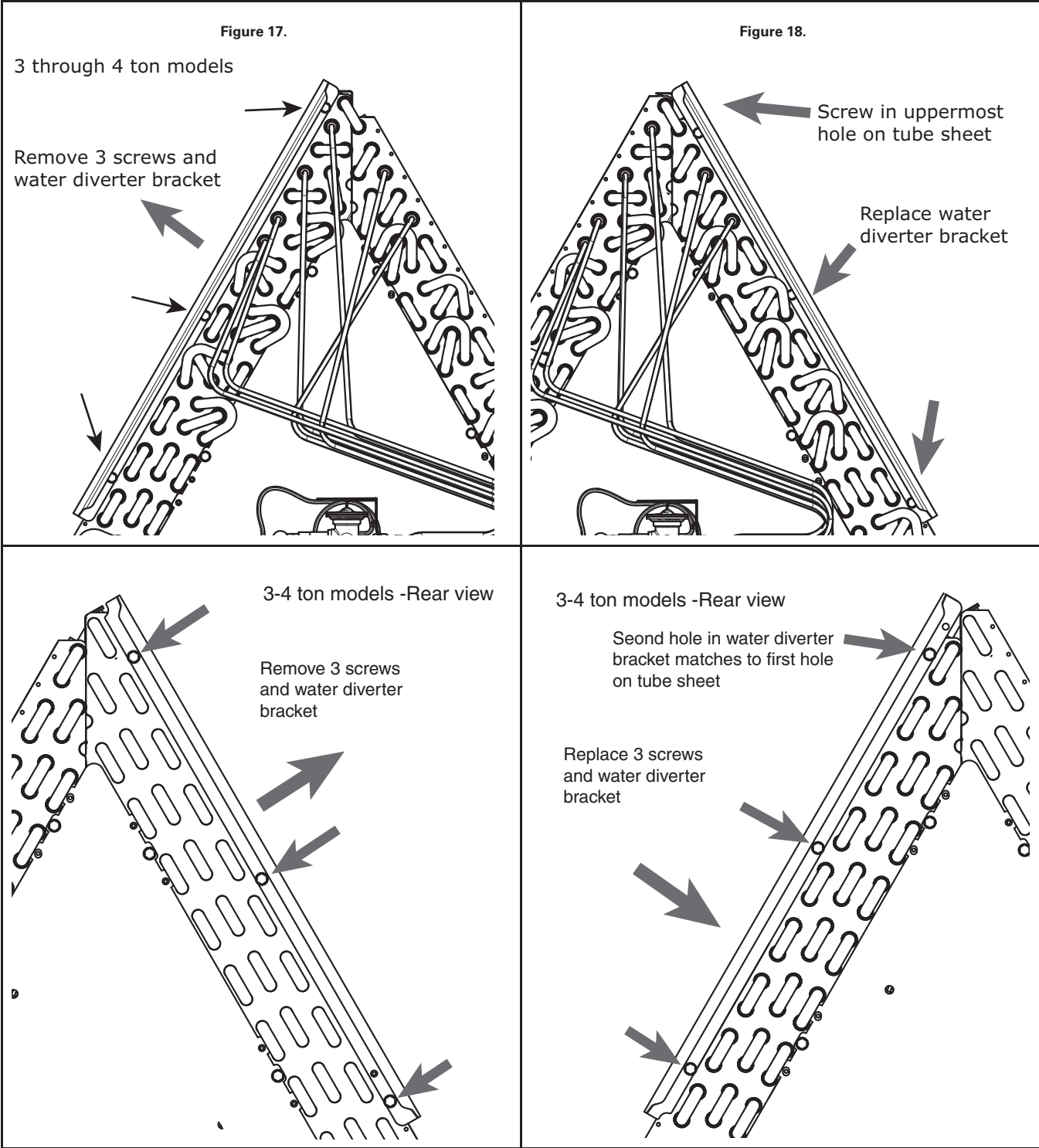
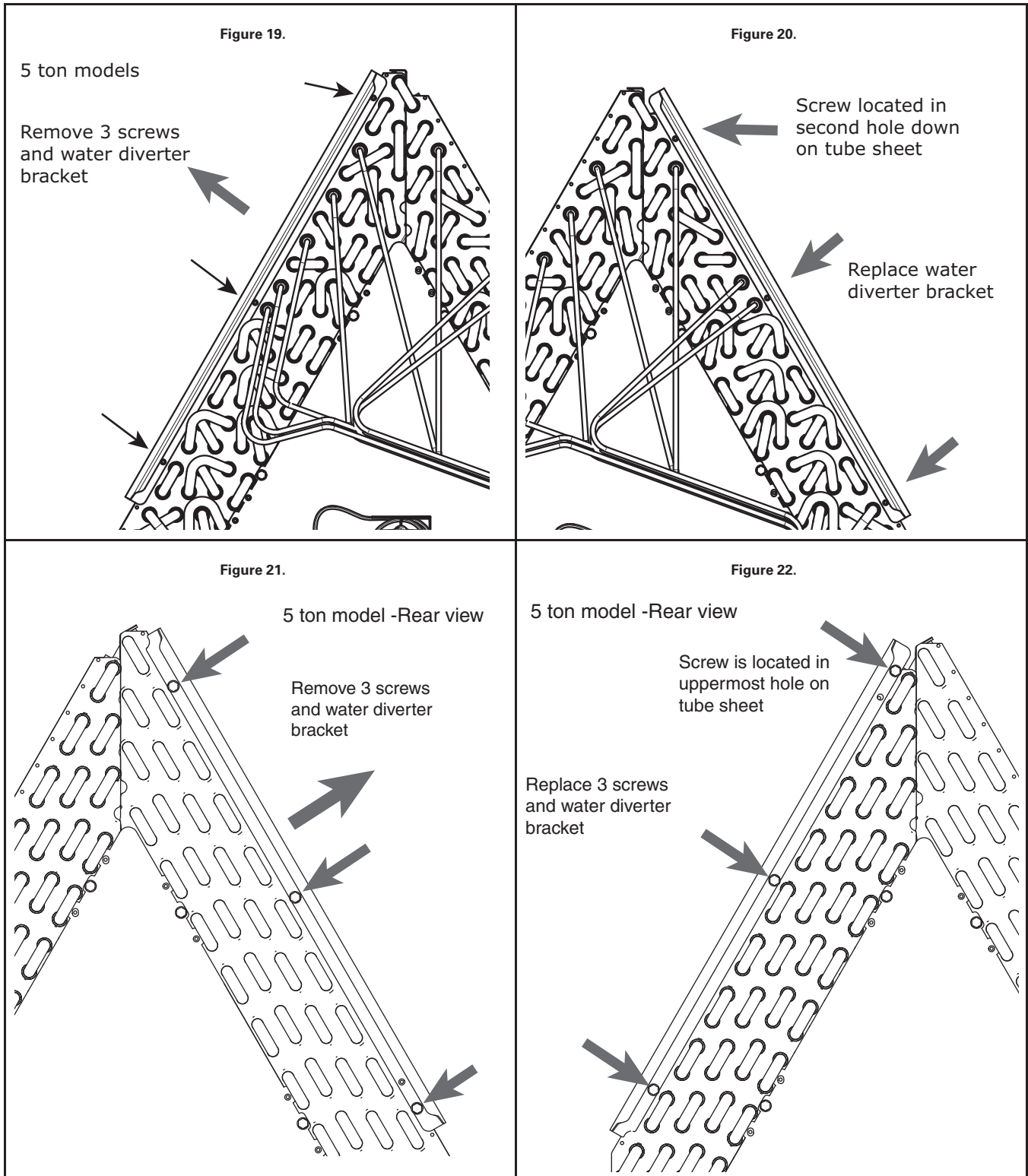


Table 16. Horizontal Right (continued)



# Coil Conversion Instructions

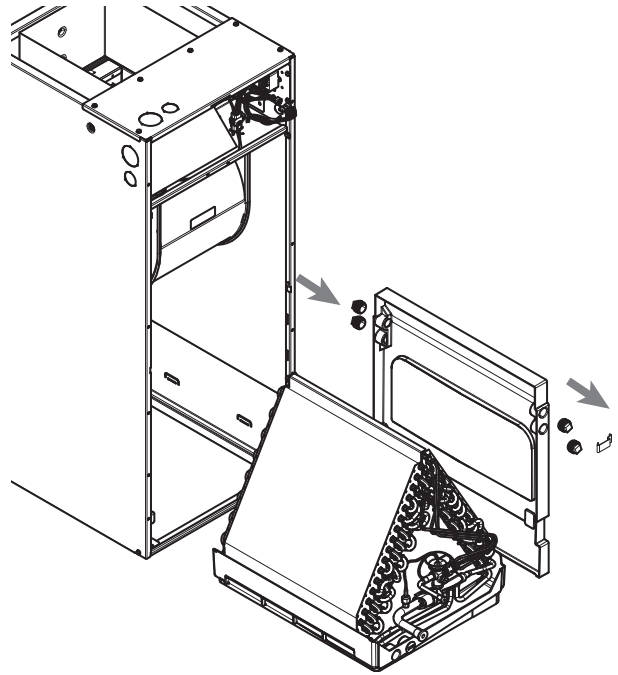
**Table 16. Horizontal Right (continued)**



**Table 16. Horizontal Right (continued)**

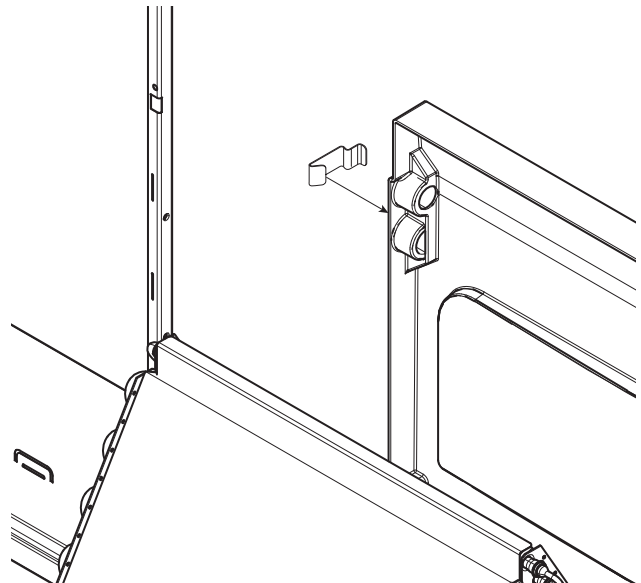
7. Relocate the horizontal drain pan from the left side of the coil to the right side.
8. Remove the drain pan support bracket. Do not discard. Remove the two drain plugs from the front of the drain pan and insert them in the drains at the rear of the drain pan. [Figure 23, p. 29](#)

**Figure 23. All other models**



9. Reinstall the drain pan support bracket. The bracket should be located between the two drain plugs as shown in [Figure 24, p. 29](#)

**Figure 24. All other models**





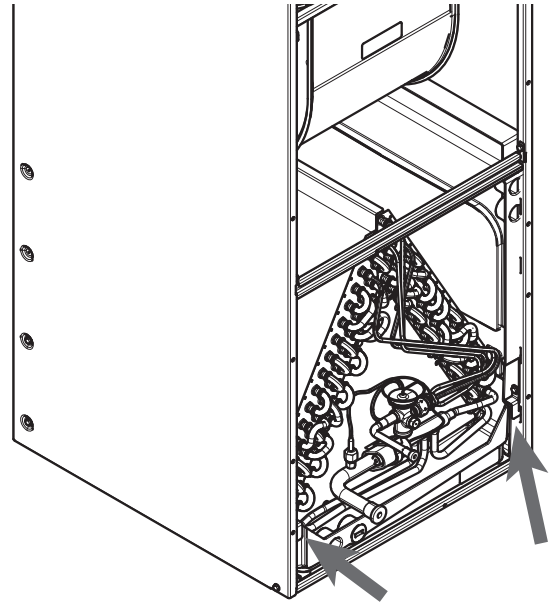
## Coil Conversion Instructions

---

**Table 16. Horizontal Right (continued)**

10. Slide the coil assembly back into the air handler cabinet.
11. Replace the center horizontal brace removed in a previous step. See
12. Replace the two coil retaining brackets removed in a previous step. See
13. Replace the two coil retaining brackets removed in a previous step. See [Figure 25, p. 30](#)
14. Replace all panels.

**Figure 25. All other models**



# Checkout Procedures

The final phase of the installation is the system Checkout Procedures. The following list represents the most common items covered in a Checkout Procedure. Confirm all requirements in this document have been met.

|  |   |
|--|---|
| <ul style="list-style-type: none"><li><input type="checkbox"/> All wiring connections are tight and properly secured.</li><li><input type="checkbox"/> Voltage and running current are within limits.</li><li><input type="checkbox"/> All refrigerant lines (internal and external to equipment) are isolated, secure, and not in direct contact with each other or structure.</li><li><input type="checkbox"/> All braze connections have been checked for leaks. A vacuum of 350 microns provides confirmation that the refrigeration system is leak free and dry.</li><li><input type="checkbox"/> Final unit inspection to confirm factory tubing has not shifted during shipment. Adjust tubing if necessary so tubes do not rub against each other or any component when unit runs.</li><li><input type="checkbox"/> Ductwork is sealed and insulated.</li><li><input type="checkbox"/> All drain lines are clear with joints properly sealed. Pour water into drain pan to confirm proper drainage. Provide enough water to ensure drain trap is primed.</li></ul> | <ul style="list-style-type: none"><li><input type="checkbox"/> Supply registers and return grilles are open, unobstructed, and air filter is installed.</li><li><input type="checkbox"/> Indoor blower and outdoor fan are operating smoothly and without obstruction.</li><li><input type="checkbox"/> Indoor blower motor set on correct speed setting to deliver required CFM. "Blower and fan set screws are tight."</li><li><input type="checkbox"/> Cover panels are in place and properly tightened.</li><li><input type="checkbox"/> For gas heating systems, manifold pressure has been checked and all gas line connections are tight and leak free.</li><li><input type="checkbox"/> For gas heating systems, flue gas is properly vented.</li><li><input type="checkbox"/> System functions safely and properly in all modes.</li><li><input type="checkbox"/> Owner has been instructed on use of system and given manual.</li></ul> |
|--|---|

## About Trane and American Standard Heating and Air Conditioning

Trane and American Standard create comfortable, energy efficient indoor environments for residential applications. For more information, please visit [www.trane.com](http://www.trane.com) or [www.americanstandardair.com](http://www.americanstandardair.com).



The AHRI Certified mark indicates company participation in the AHRI Certification program. For verification of individual certified products, go to [ahridirectory.org](http://ahridirectory.org).

The manufacturer has a policy of continuous data improvement and it reserves the right to change design and specifications without notice. We are committed to using environmentally conscious print practices.