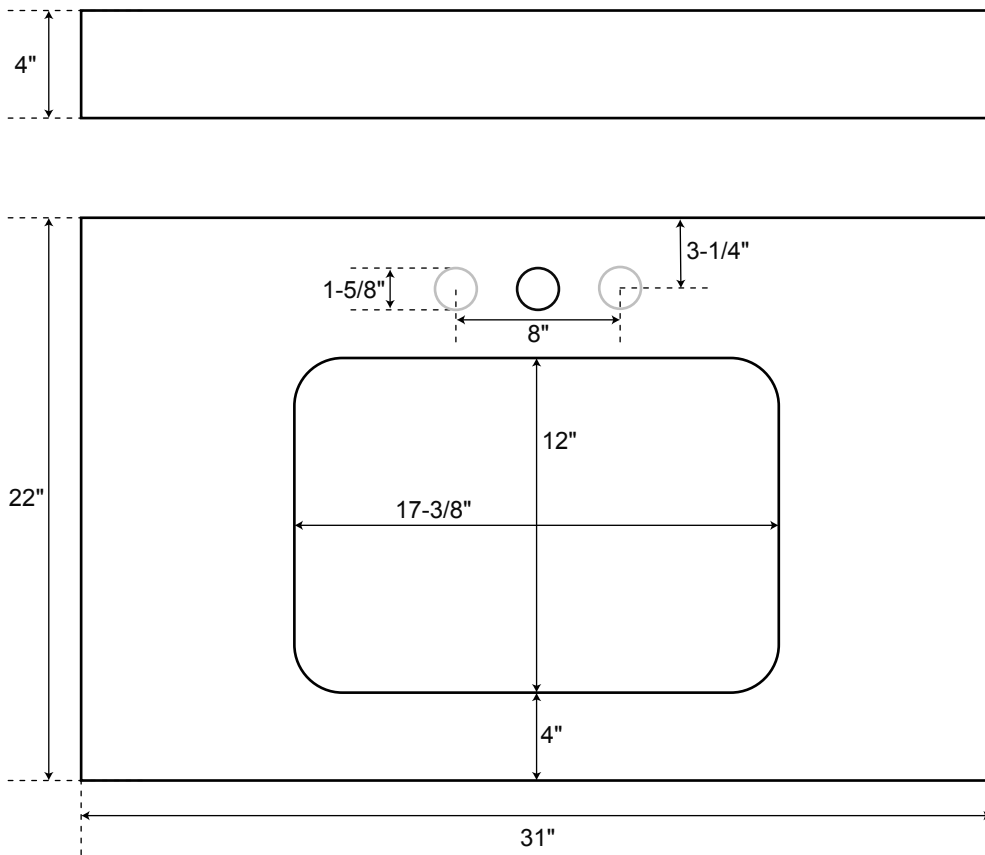




31" Stone

Vanity Top with
Rectangular Undermount Sink



Approximate Weights

Granite	70 – 75 lbs.
Marble	70 – 75 lbs.
Quartz	65 – 70 lbs.

* Measurements are approximate. It is recommended to have the product at the job site before finalizing plumbing.



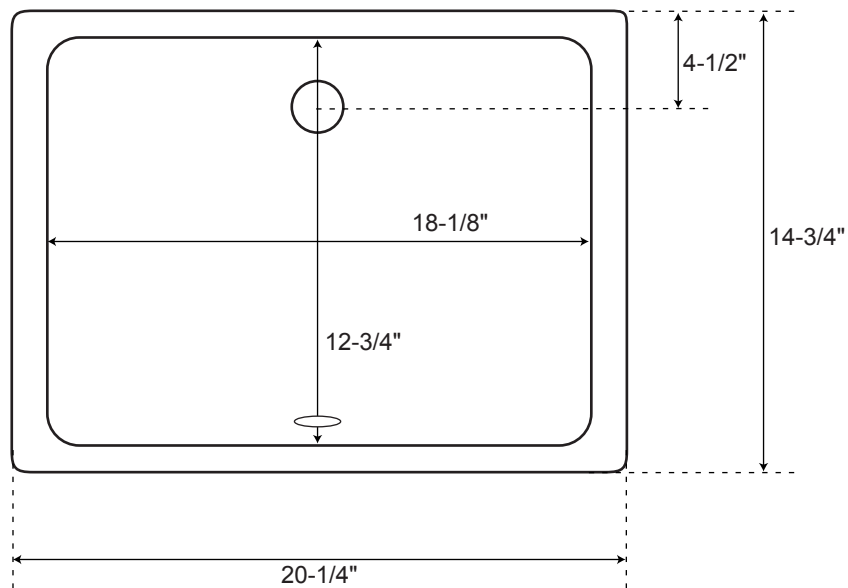
SPECIFICATIONS

Overall Dimensions	20-1/4" L x 14-3/4" W (front to back) x 7-5/8" H
Basin Dimensions	18-1/8" L x 12-3/4" W (front to back)
Water Depth to Rim	5-1/2"
Water Depth to Overflow	4-1/8"
Drain Hole	1-1/2"

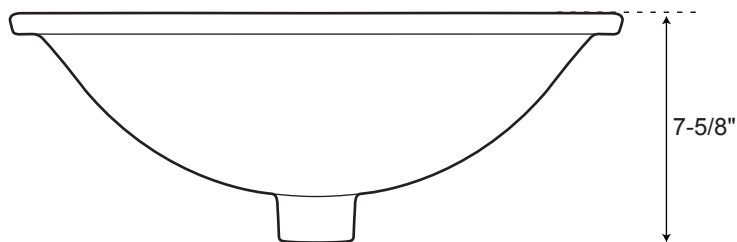
Rectangular
Porcelain
Undermount Sink

All measurements are approximate.

Top



Front





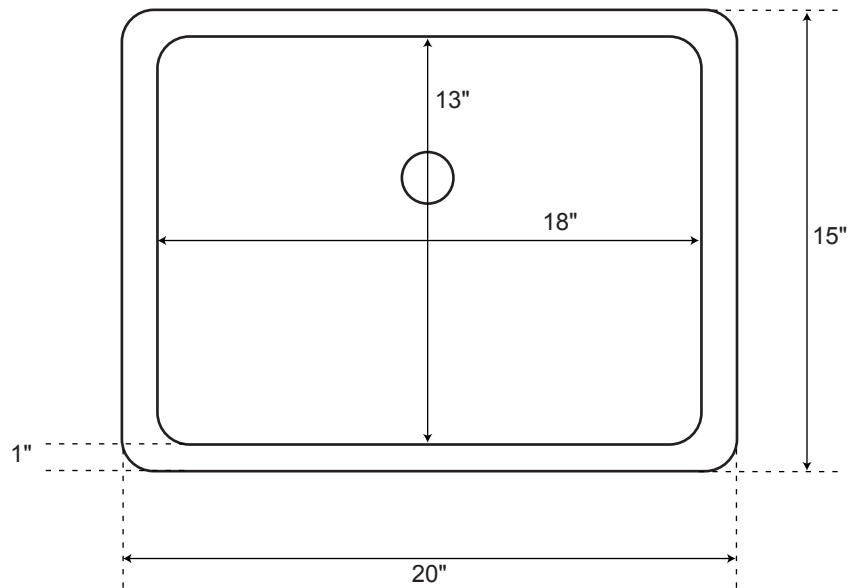
SPECIFICATIONS

Overall Dimensions	20" L x 15" W (front to back) x 6" H
Basin Dimensions	18" L x 13" W (front to back)
Water Depth	5-1/2" to Rim
Drain Hole	1-1/2"
Rim	1"

Rectangular
Copper
Undermount Sink

All measurements are approximate.

Top



Front

