



## 18.3 Cu. Ft. Top Freezer Refrigerator

Top Freezer Refrigerator

Available Products: FFTR1814WB, FFTR1814WW

Available Colors: Black, White

Version: 08/22

## Product Specifications

### Refrigerator

Crisper Color	Clear
Door Bin Color	White
Humidity Controls	Automatic
Interior Lighting	LED
Shelf Material	Wire
Number of Fixed 2 Liter Door Bins	2
Number of Fixed Gallon Door Bins	1
Number of Adjustable Shelves	2
Number of Crispers	2
Air Filter Ready	Yes

### Ice Maker

Ice Maker	No
Ice Maker Ready	Yes

### Exterior

Door Swing	Reversible
Door Finish	Textured

### Electrical Specifications

Amps @ 120 Volts	3 Amps
Minimum Circuit Required	15 Amps

### Certifications and Approvals

ADA Compliant	Yes
---------------	-----

### Safety Certifications and Approvals

CSA Listed	Yes
UL Listed	Yes

### Freezer

Automatic Defrost	Yes
Baskets / Bins Color	White
Shelf Material	Glass
Number of Baskets / Bins	2
Number of Adjustable Shelves	1

### Controls

Control Location	Top Center of Fresh Food
------------------	--------------------------

### Dimensions and Volume

Height With Hinge	66 3/8"
Height Without Hinge	65 7/8"
Width	30"
Width of Cabinet	30"
Depth of Cabinet	26 5/8"
Depth With Door	30 3/8"
Depth With Door 90° Open	57"
Depth With Door and Handle	30 3/8"
Fresh Food Capacity	13.4 Cu. Ft.
Freezer Capacity	4.9 Cu. Ft.
Total Capacity	18.3 Cu. Ft.

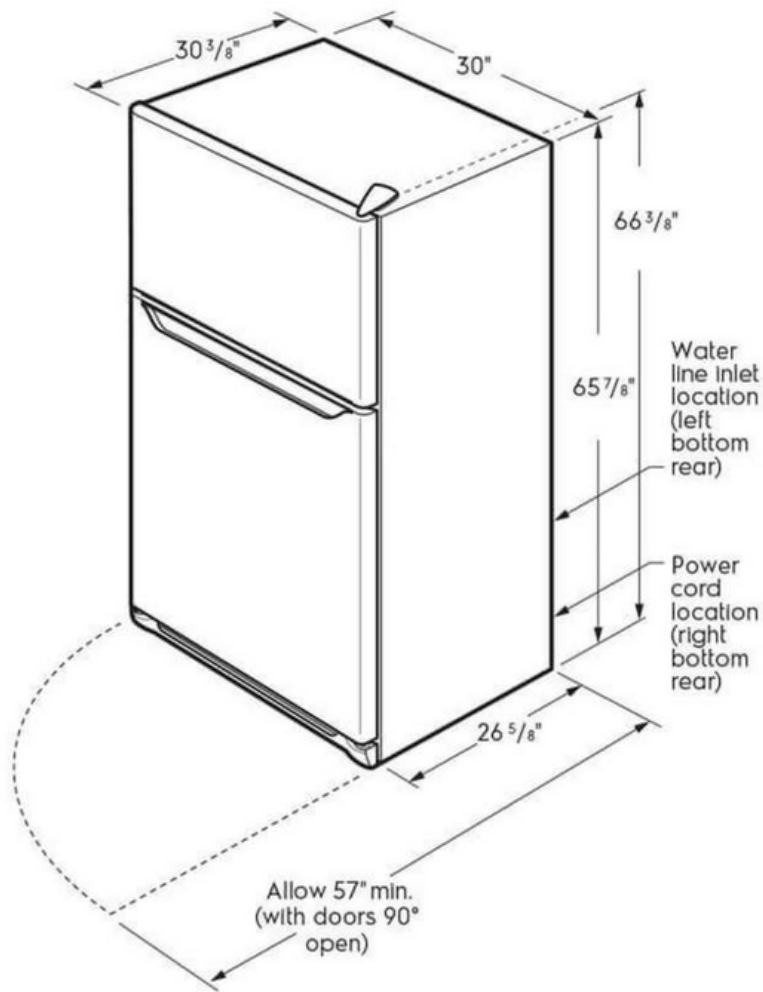
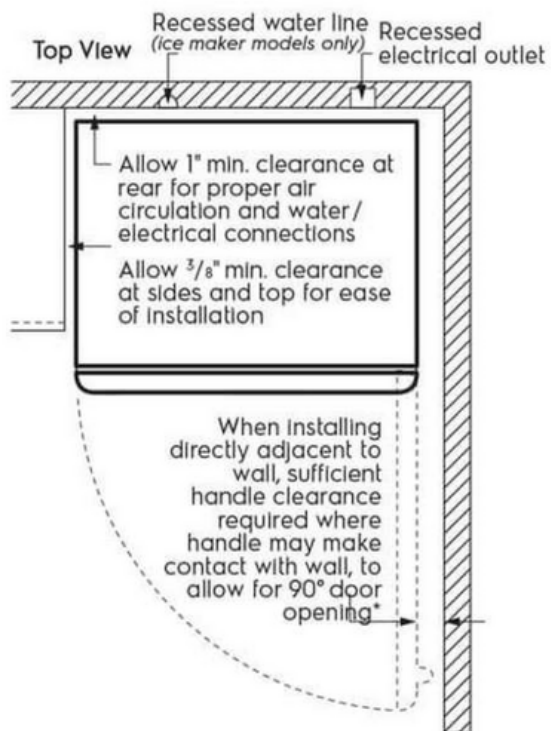
### General Specifications

Annual Energy	410 kWh
Prop 65 Label	Yes
Refrigerant Type	R-600A
Warranty - Labor	1 Year
Warranty - Parts	1 Year

### Performance Certifications and Approvals

ENERGY STAR Certified	No
-----------------------	----

## Installation Diagram



\* When installing refrigerator adjacent to wall, cabinet or other appliance that extends beyond front edge of unit, 20" minimum clearance recommended to allow for optimum 140° door swing, providing complete crisper access and removal. (Absolute 3" minimum clearance will ONLY allow for 90° door swing which will provide limited crisper access with restricted removal.)