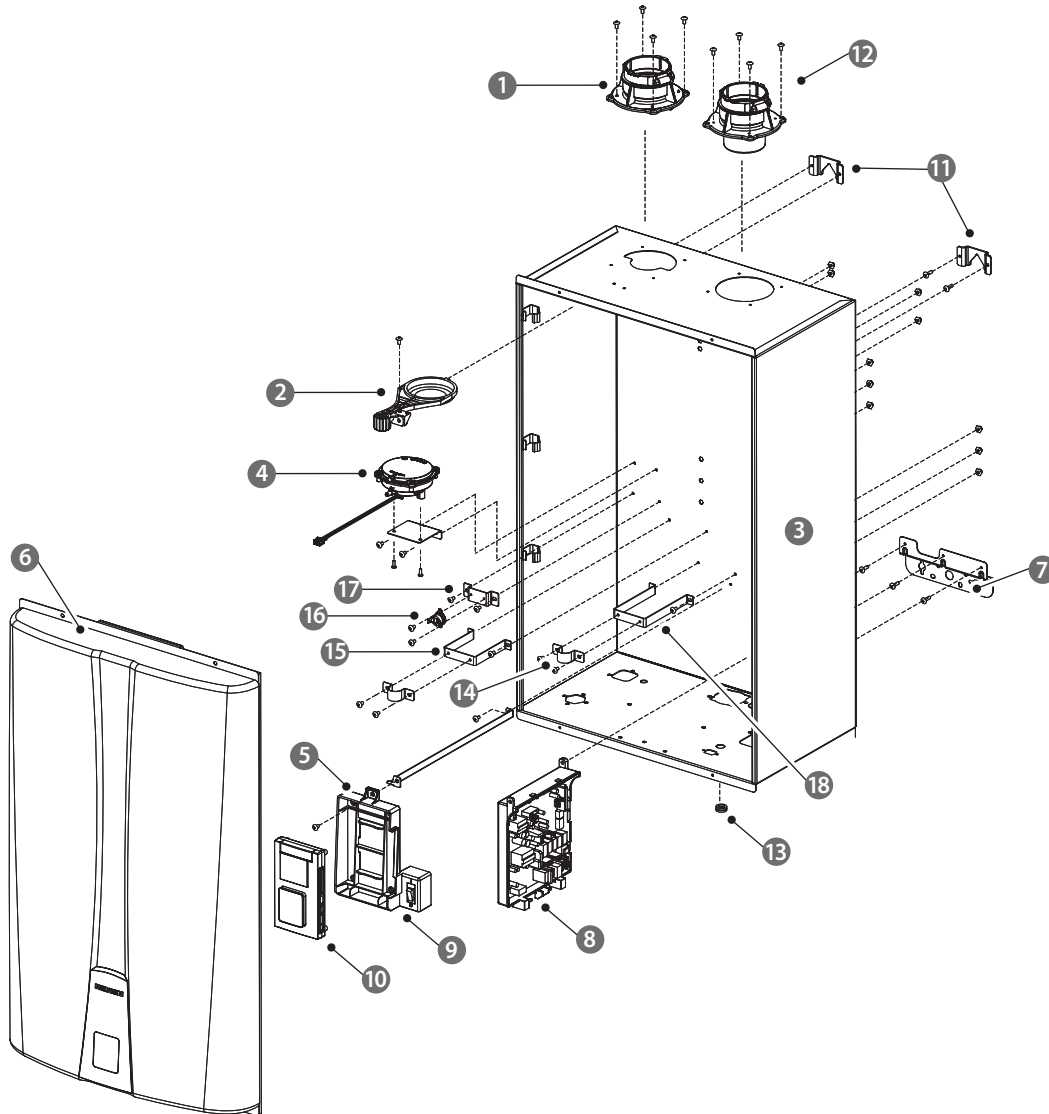


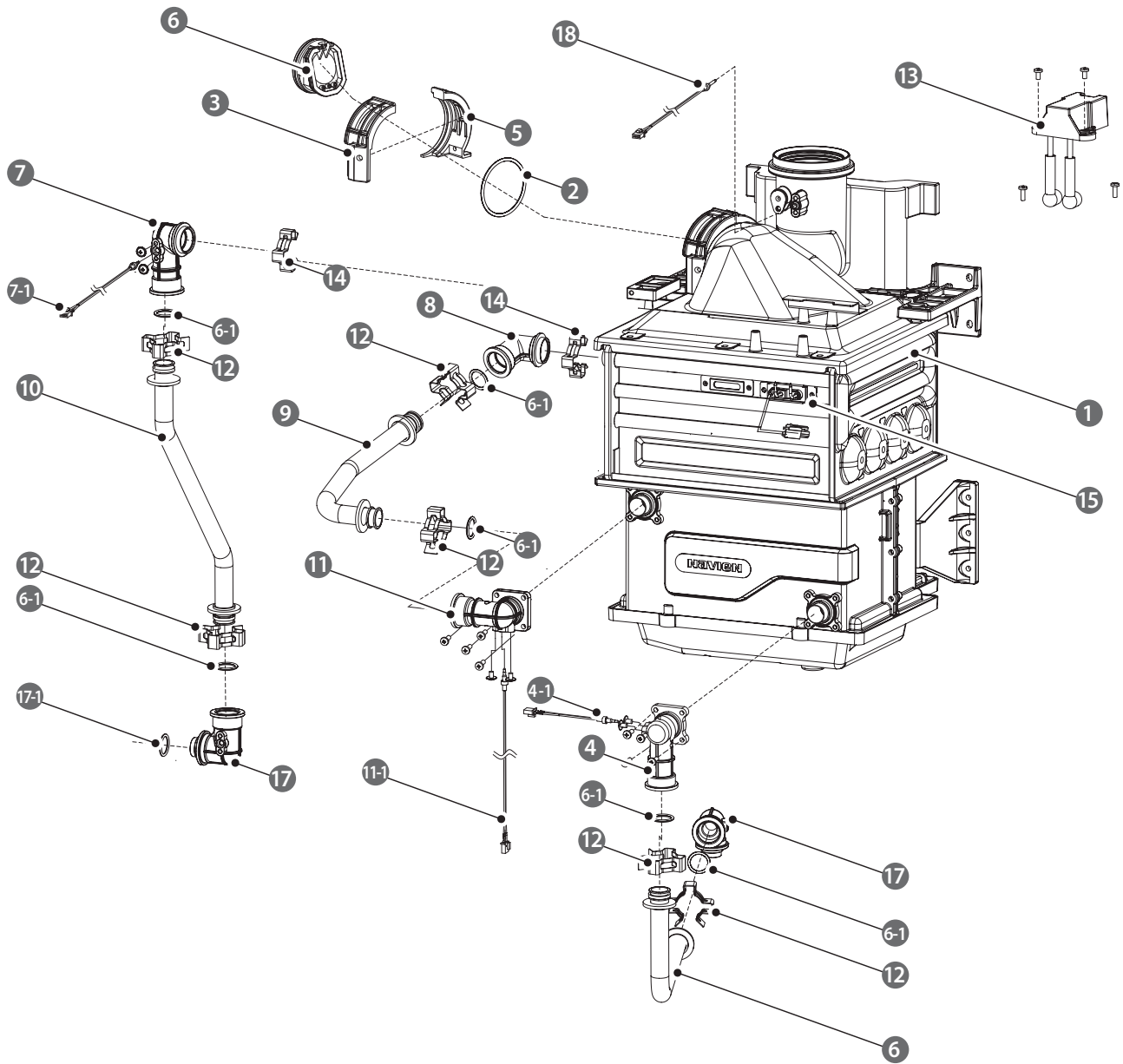
5.5 Component Assembly Diagrams and Parts Lists

5.5.1 Case Assembly



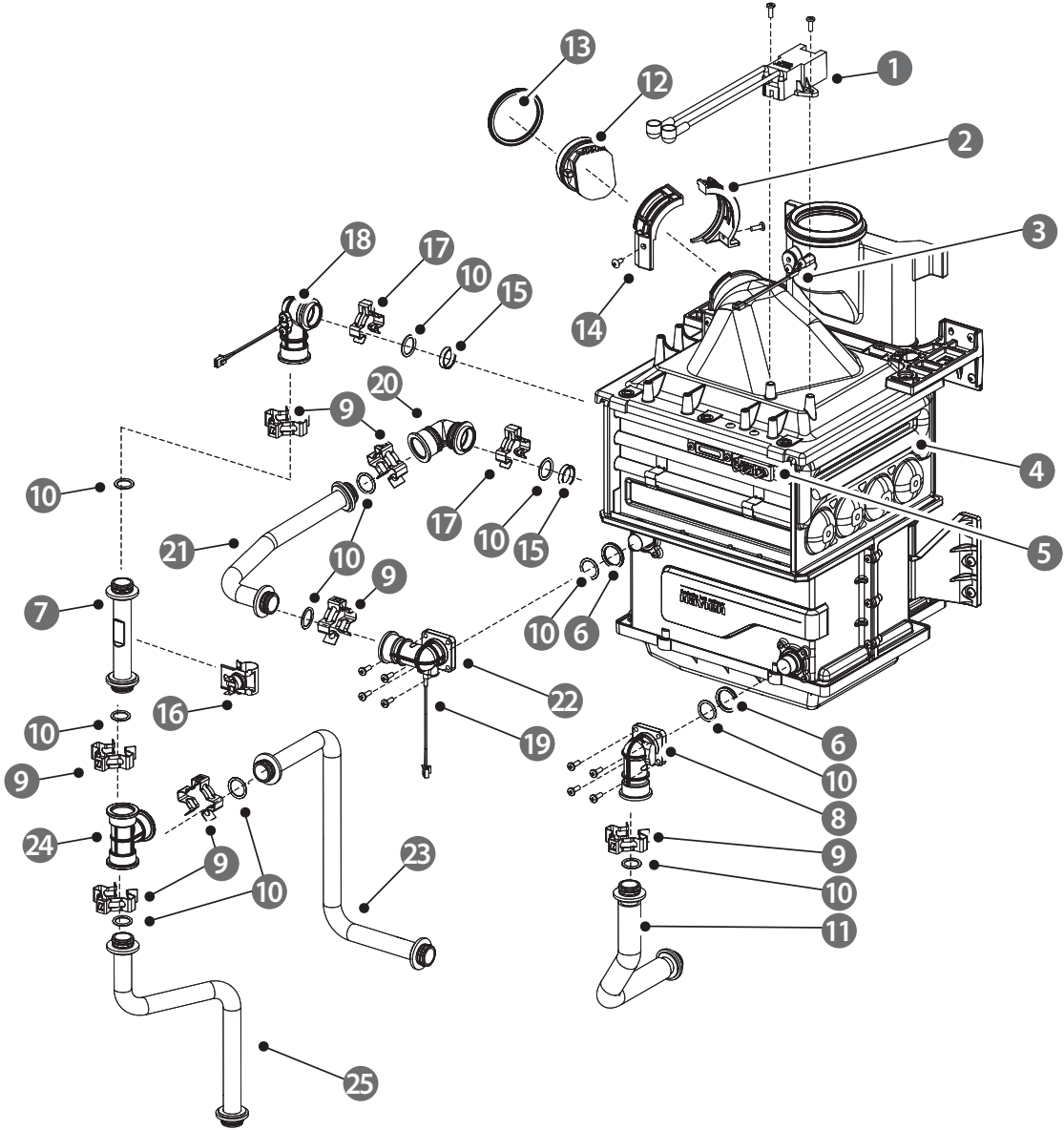
#	Description	Part #	Remark
1	Intake Air Duct Assembly	30008662A	
2	Intake Air Filter	30008745A	
3	Case	20020393A	NPE-180A
		20019078A	NPE-210A/240A
		20026560A	NPE-180S
		20026559A	NPE-210S/240S
4	Air Pressure Sensor	30010346A	
5	Panel Bracket	20018388A	
6	Cover	30008678A	NPE-180A/210A/240A
		30011694A	NPE-180S/210S/240S
7	Case Lower Bracket	20007643B	
8	PCB	30011969A	
9	Power Switch	30009482A	
10	Front Panel	30008333A	
11	Case Bracket	20007609A	
12	Exhaust Pipe Assembly	30008673A	
13	Rubber Ring	20006973A	
14	Saddle	20013508A	NPE-180S/210S/240S
15	Saddle Bracket 1	20026170A	NPE-180S/210S/240S
16	Freeze Protector Sensor	30002587A	NPE-180S/210S/240S
17	Freeze Protector Sensor Bracket	20007671A	NPE-180S/210S/240S
18	Saddle Bracket 2	20026172A	NPE-180S/210S/240S

5.5.2 Burner Assembly(NPE-180A/ 210A/ 240A)



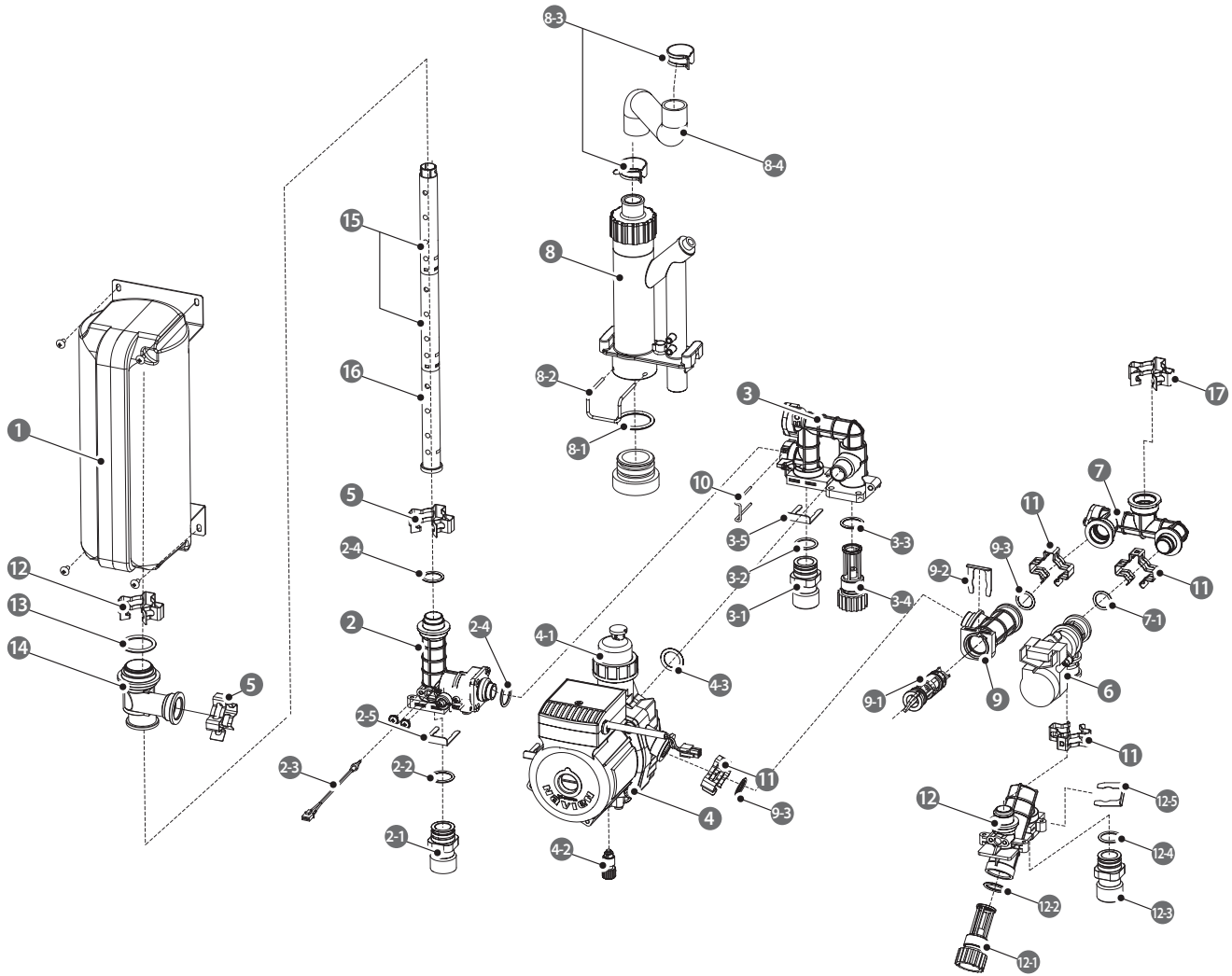
#	Description	Part #	Remark
1	Heat Exchanger Assembly	30009189A	NPE-180A
		30010812A	NPE-210A
		30008780A	NPE-240A
2	Fan O-Ring (G50)	20003019A	
3	Fan Bracket(F)	20022095A	
4	Flow Sensor Assembly	30008571A	
4-1	Thermistor	30008366A	
5	Fan Braket(R)	20022096A	
6	Cold Inlet Pipe	30009166A	NPE-180A
		30010805A	NPE-210A
		30008446A	NPE-240A
6-1	O-Ring (Φ17.5x2.7t)	20006947A	
7	WPA-A (Clip)	20018344A	
7-1	Thermistor	30008366A	
8	WPA-B	20018343A	
9	H-Ex Middle Pipe	30009126A	NPE-180A
		30010803A	NPE-210A
		30008439A	NPE-240A
10	Hot Water Outlet Pipe	30009145A	NPE-180A
		30008442A	NPE-210A/240A
11	WPA-A (Screw)	30008569A	
11-1	Thermistor	30008366A	
12	Fastner	20017726A	
13	Ignition Transformer	30010455A	
14	Fastner	20007853A	
15	Ignitor	30008591A	
16	Damper	30008825A	
17	Buffer Tank Inlet Adapter	20018346A	
17-1	O-Ring(P16)	20017210A	
18	Thermistor	30009478A	

5.5.3 Burner Assembly(NPE-180S/ 210S/ 240S)



#	Description	Part #	Remark
1	Ignition Transformer	30010455A	
2	Fan Bracket (R)	20022096A	
3	Thermistor	30009478A	Exhaust
4	Heat Exchanger Assembly	30011706A	NPE-180S
		30011705A	NPE-210S
		30011704A	NPE-240S
5	Ignitor	30008591A	
6	Packing (Φ26.5x2.4t)	20006868A	
7	Heat Exchanger Outlet Pipe	30011519A	NPE-180S
		30011515A	NPE-210S/240S
8	WPA-C (Screw)	20026780A	
9	Fastner	20017726A	
10	O-Ring (Φ17.5x2.7t)	20006947A	
11	Cold Inlet Pipe	30011521A	NPE-180S
		30011665A	NPE-210S
		30011517A	NPE-240S
12	Fan Damper	30008825A	
13	Fan Packing	20022744A	
14	Fan Bracket (F)	20022095A	
15	Backup Ring	20018744B	
16	High Limit Switch	30002577A	
17	Fastner	20007853A	
18	WPA-A (Clip)	20018344A	
19	Thermistor	30008366A	Water
20	WPA-B	20018343A	
21	H-Ex Middle Pipe	30009126A	NPE-180S/180A
		30010803A	NPE-210S/210A
		30008439A	NPE-240S/240A
22	WPA-A (Screw)	30008569A	
23	Mixing Pipe	30011518A	NPE-180S
		30011514A	NPE-210S/240S
24	WPA-T	20025960A	
25	Hot Water Outlet Pipe	30011520A	NPE-180S
		30011516A	NPE-210S/240S

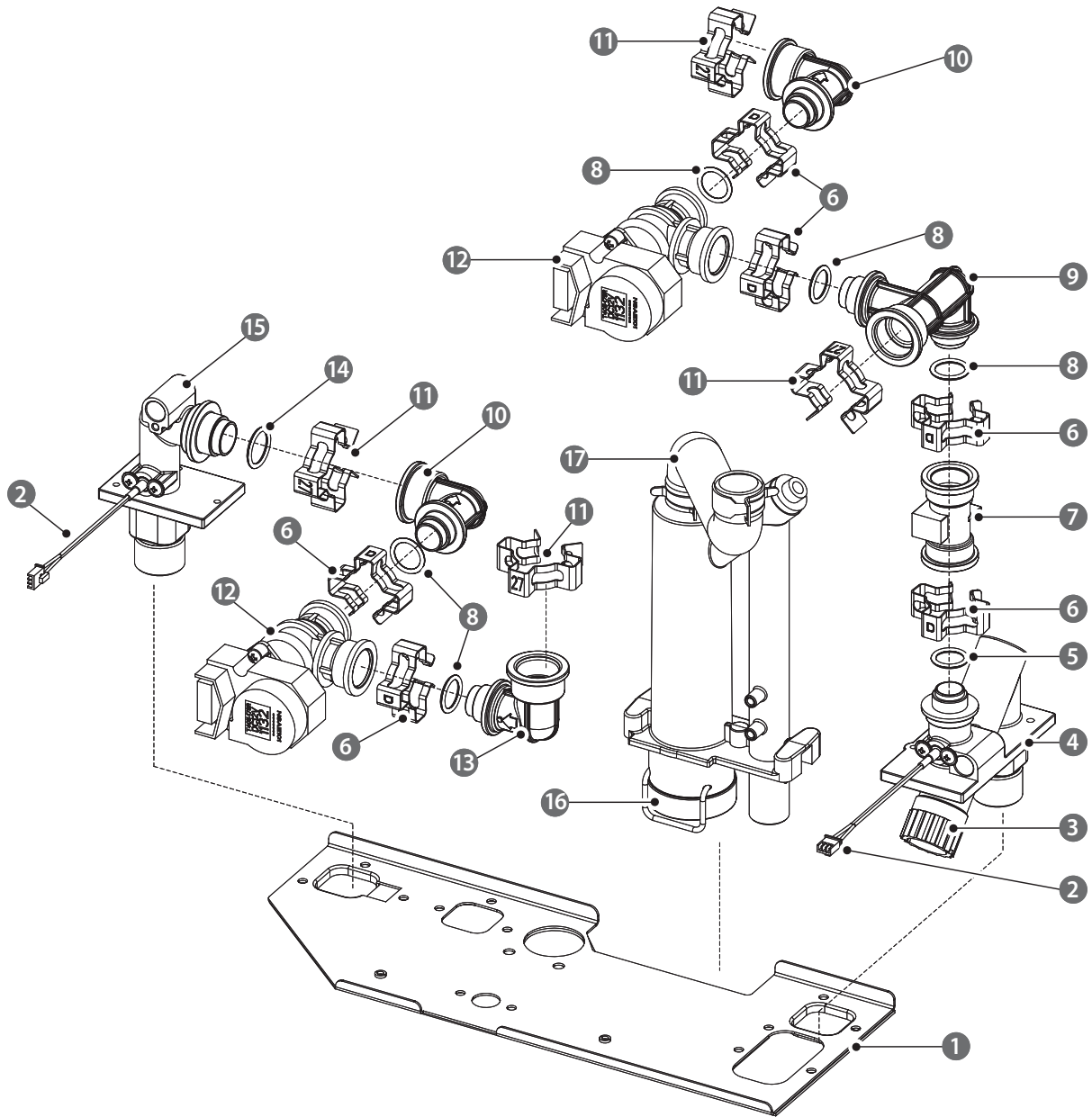
5.5.4 Waterway Assembly(NPE-180A/210A/240A)



#	Description	Part #	Remark
1	Buffer Tank	30010953A	
2	Hot Water Outlet Pipe Assembly	30008338A	
2-1	Pipe Adapter	30008349A	
2-2	O-RING (P20)	20017212A	
2-3	Thermistor (Red)	30008366A	
2-4	O-RING (P16)	20017210A	
2-5	Pipe Clip	20007733A	
3	Return Pipe Assembly	30008350A	
3-1	Pipe adapter	30008349A	

#	Description	Part #	Remark
3-2	O-RING (P20)	20017212A	
3-3	O-RING (P19)	20017211A	
3-4	Water Filter	30008351A	
3-5	Pipe Clip	20007733A	
4	Circulation Pump	30010346A	
4-1	Pump Air Separator	30006831A	
4-2	Drain Plug	30003550B	
4-3	O-RING (P18)	20006947A	
5	Fastner	20017726A	
6	Water adjustment valve (WAV)	30008245A	
7	WAV Outlet Pipe Assembly	30008624A	
7-1	O-Ring (P16)	20011438A	
8	Syphon	30009756A	
8-1	O-Ring (Φ31.7x3.5t)	20018013A	
8-2	Syphon Clip	20018155A	
8-3	Hose Clip	20007833A	
8-4	Syphon Hose	20018429A	
9	Pump Outlet Pipe Assembly	30008361A	
9-1	Check Valve	30008360A	
9-2	Pipe Clip	20017722A	
9-3	O-Ring (P16)	20017210A	
10	Return Pipe clip	20017767A	
11	Fastner	20007859A	
12	Cold Water Inlet Pipe Assembly	30009437A	
12-1	Water Filter	30008351A	
12-2	O-RING (P19)	20017211A	
12-3	Pipe adapter	30008349A	
12-4	O-RING (P20)	20017212A	
12-5	Pipe Clip	20007733A	
13	O-RING (P29)	20017923A	
14	Buffer Tank adapter	20017757A	
15	Buffer tank pipe A	20017759A	
16	Buffer tank pipe B	20017760A	
17	Fastner	20017724A	

5.5.5 Waterway Assembly(NPE-180S/ 210S/ 240S)



#	Description	Part #	Remark
1	Bracket	20026489A	
2	Thermistor	30008366A	
3	Water Filter	30008351A	
4	Cold Water Inlet Adapter	30011597A	
5	O-Ring (P15)	20017217A	
6	Fastner	20007859A	
7	Flow Sensor	30011534A	
8	O-Ring (P16)	20017210A	
9	Flow Sensor Outlet Adapter	20025959A	
10	Outlet Adapter	20025961A	
11	Fastner	20017726A	
12	Water Adjustment Valve (WAV)	30011532A	
13	Inlet Adapter	20025962A	
14	O-Ring (P18)	20006947A	
15	How Water Outlet Adapter	30011601A	
16	Siphon	30009756A	
17	Siphon Hose	20018429A	

5.5.6 Fan(Gas) Assembly

