



Front Load Perfect Steam™ Electric Dryer with Predictive Dry™ and Instant Refresh – 8.0 Cu. Ft.

Dryer

Available Products: ELFE7537AT, ELFE7537AW

Available Colors: Titanium, White

Version: 08/22

## Product Specifications

### Dryer

|                          |               |
|--------------------------|---------------|
| Air Flow                 | 200 CFM       |
| Drum Back Type           | Painted Steel |
| Drum Material            | Painted Steel |
| Dryness Level Selections | Yes           |
| Lint Filter              | Yes           |
| Predictive Dry           | Yes           |

### Dryer Options

|                  |            |
|------------------|------------|
| Anti Static      | Yes        |
| Drum Light       | Yes        |
| Perfect Steam    | Yes        |
| Wrinkle Release  | Yes        |
| Extended Tumble  | Yes        |
| Dry Boost        | Yes        |
| Delay Start Time | 1-12 Hours |

### Dryness Level

|        |     |
|--------|-----|
| Damp   | Yes |
| High   | Yes |
| Max    | Yes |
| Normal | Yes |
| Low    | Yes |

### Exterior

|                 |     |
|-----------------|-----|
| Door Latch      | Yes |
| Reversible Door | Yes |

### Electrical Specifications

|                          |          |
|--------------------------|----------|
| Minimum Circuit Required | 30 Amps  |
| Voltage Rating           | 208/240v |

### Installation

|                   |     |
|-------------------|-----|
| Optional Pedestal | Yes |
|-------------------|-----|

### Performance Certifications and Approvals

|                       |     |
|-----------------------|-----|
| ENERGY STAR Certified | Yes |
|-----------------------|-----|

### Dryer Cycles

|                 |     |
|-----------------|-----|
| Allergen        | Yes |
| Cycle Count     | 10  |
| Delicates       | Yes |
| Fast Dry        | Yes |
| Heavy Duty      | Yes |
| Mixed Load      | Yes |
| Normal          | Yes |
| Timed Dry Time  | Yes |
| Towels          | Yes |
| Activewear      | Yes |
| Instant Refresh | Yes |

### Drying Temperatures

|          |     |
|----------|-----|
| High     | Yes |
| Low      | Yes |
| Normal   | Yes |
| Sanitize | Yes |
| Eco Dry  | Yes |

### Controls

|                          |     |
|--------------------------|-----|
| Cancel                   | Yes |
| Cycle Status Lights      | Yes |
| Delay Start              | Yes |
| Estimated Time Remaining | Yes |
| Control Lock             | Yes |
| Pause Function           | Yes |
| Power On/Off             | Yes |
| Start                    | Yes |

### Dimensions and Volume

|                     |           |
|---------------------|-----------|
| Height              | 38"       |
| Width               | 27"       |
| Depth               | 32"       |
| Dryer Drum Capacity | 8 Cu. Ft. |

### Energy Data

|                              |         |
|------------------------------|---------|
| kWh/year                     | 620 kWh |
| Combined Energy Factor (CEF) | 3.48    |
| kWh/cycle                    | 2.5 kWh |

Front Load Perfect Steam™ Electric Dryer with Predictive  
Dry™ and Instant Refresh – 8.0 Cu. Ft.

Dryer

Available Products: ELFE7537AT, ELFE7537AW

Available Colors: Titanium, White

Version: 08/22

### General Specifications

|                      |        |
|----------------------|--------|
| Chime On / Chime Off | Yes    |
| Leveling Legs        | Yes    |
| Prop 65 Label        | No     |
| Warranty - Labor     | 1 Year |
| Warranty - Parts     | 1 Year |

### Safety Certifications and Approvals

|           |     |
|-----------|-----|
| UL Listed | Yes |
|-----------|-----|

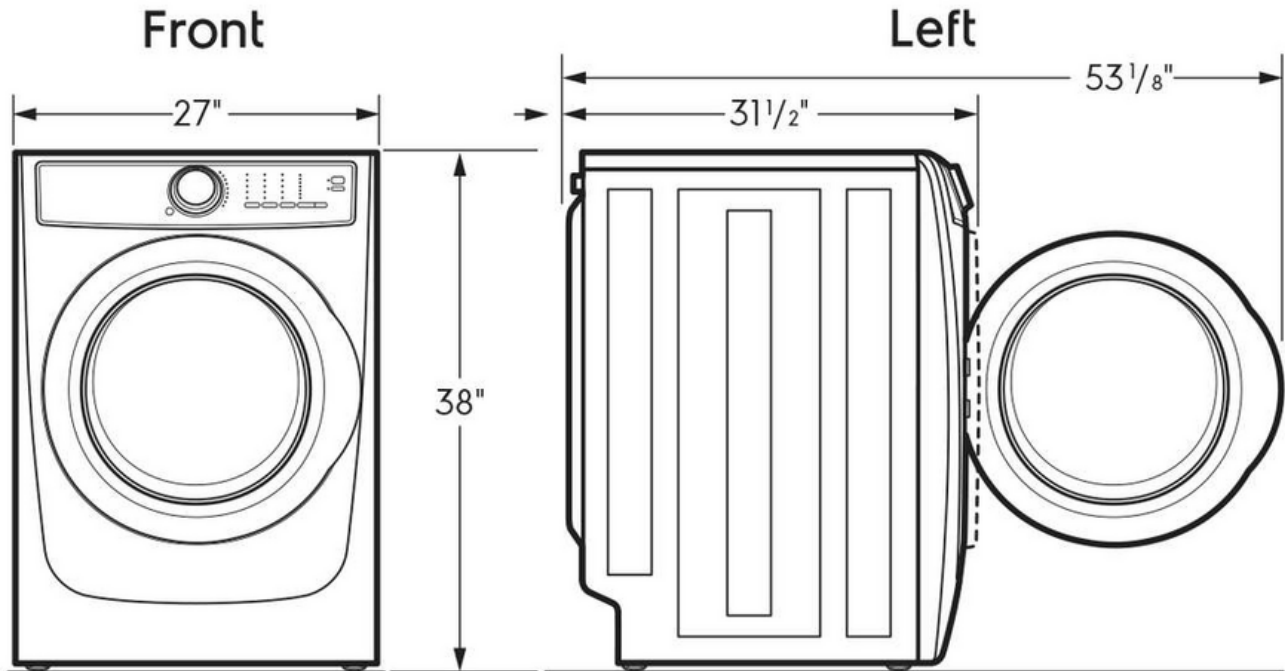
We reserve the right to change specifications or discontinue models without notice.

Electrolux Major Appliances, N.A.

USA • 10200 David Taylor Drive • Charlotte, NC 28262 • Charlotte, NC 28262 • 1-877-4electrolux (1-877-435-3287) • [electrolux.com/en](http://electrolux.com/en)

CANADA • 5855 Terry Fox Way • Mississauga, ON L5V 3E4 • 1-800-265-8352 • [electrolux.ca](http://electrolux.ca)

### Installation Diagram



### Optional 15" Pedestal Drawer

