



NIBCO® 585HP Lead-Free Bronze Ball Valves

Features: Silicon Performance Bronze® Alloy • Laser-Welded Cast Body • Triple-Sealed Stem • Stainless Trim • Reversible Handle • Easily Adjustable Packing Nut • Blowout-Proof Stem • Press Ends Leak Detection

Approvals: MSS-SP110/145 • IAPMO/ANSI Z1157 • NSF/ANSI/CAN 61-8 Commercial Hot 180° F • NSF/ANSI 372 • ICC-ES PMG-1558 • ASME A112.4.14/CSA B125.14

Pressure/Temperature Rating:
PC-585HP (½"-2"): 250 psi non-shock cold working pressure*
PC-585HP (2½"-4"): 200 psi non-shock cold working pressure*
Maximum pressure/temperature: 225 psi at 250° F* (½"-2")
 200 psi at 250° F* (2½"-4")

United States Patent
No. 10,234,043 &
United States Patent
No. 11,131,403



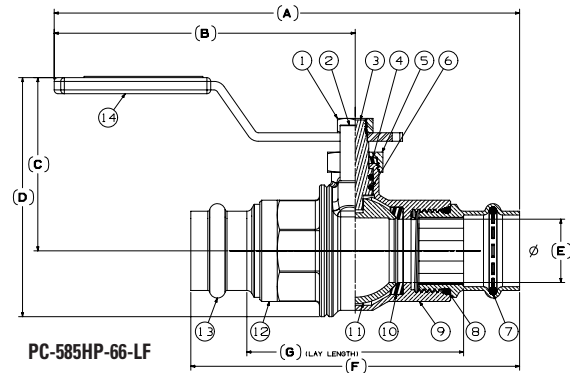
Lead-free markings: Double oval in body casting, white handle and blue hang tag

MATERIAL LIST

PART	SPECIFICATION
1. Handle Nut	Carbon Steel, GEOMET® Coated
2. Handle Stop	ASTM A276 S31600 Stainless Steel
3. Stem	ASTM A276 S31600 Stainless Steel
4. Packing	PTFE
5. Packing Nut	ASTM B16 C36000 Brass
6. Stem O-ring (2)	Qmonix® EPDM
7. O-ring (2)	EPDM - Leak Detection
8. Boss Seal O-ring (2)	EPDM
9. Body	ASTM B584 C87500 DZR Lead-free Silicon Bronze Casting
10. Seats (2)	Reinforced PTFE
11. Ball	ASTM A276 S31600 or A351 CF8M Stainless Steel
12. Body End Piece	ASTM B584 C87500 DZR Lead-free Silicon Bronze Casting
13. Press End Adapter (2)	ASTM B75 Alloy C12200 Wrot Copper
14. Handle	Carbon Steel, GEOMET® Coated, Plastisol Grip



PC-585HP-66-LF
Press



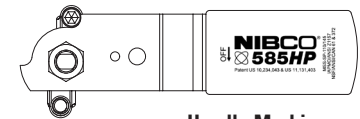
PC-585HP-66-LF

Handle Options:

- NIB-Seal® (1/4"-2")
- Locking Lever
- Stainless Steel
- Extended Lever w/ Memory Stop

DIMENSIONS - WEIGHTS

Size	A		B		C		D		E		F		G		Weights	
	In.	mm.	In.	mm.	In.	mm.	In.	mm.	In.	mm.	In.	mm.	In.	mm.	lbs.	kg
½"	5.93	151	4.04	103	2.03	52	2.66	68	0.50	13	3.77	96	2.37	60	0.80	0.36
¾"	6.65	169	4.18	106	2.31	59	3.17	81	0.75	19	4.93	125	3.01	76	1.21	0.55
1"	7.35	187	4.75	121	2.74	70	3.78	96	1.00	25	5.19	132	3.42	87	1.58	0.72
1¼"	7.95	202	5.06	129	2.92	74	4.12	105	1.25	32	5.78	147	3.76	96	2.27	1.03
1½"	10.25	260	6.75	171	3.22	82	4.64	118	1.50	38	7.01	178	4.24	108	3.55	1.61
2"	11.03	280	7.12	181	3.68	93	5.46	139	2.00	51	7.80	198	4.78	121	6.26	2.84
2.5"	16.86	428	12.06	306	4.41	112	6.62	168	2.50	63	9.61	244	6.67	169	14.80	6.71
3"	17.31	439	12.06	306	4.71	119	7.26	184	3.00	76	10.51	267	7.19	182	17.13	7.77
4"	18.60	472	12.06	306	5.52	140	8.88	225	4.00	101	13.08	332	8.76	222	28.45	12.90



Handle Markings

*NIBCO® Press System ball valves are designed to meet MSS SP-110 with the exception of the end connection. Ball valves are down-rated from T-585HP rated CWP to the specified rating above to match the Press System.

GEOMET® is a registered trademark of NOF Metal Coatings, Inc.
 QMONIX® is a trademark of Quadion LLC

WARNING: This product can expose you to chemicals including lead, which is known to the State of California to cause cancer and birth defects or other reproductive harm. For more information go to www.P65Warnings.ca.gov.

LEAD-FREE: Weighted average lead content ≤ 0.25%

LEAD-FREE: Weighted average lead content ≤ 0.25%