

Ellipse EOOY33229-1 Granite Oyster Kitchen Sink

Maximum durability meets efficient design in the Ellipse Granite series. Available in several configurations, there's an Ellipse sink that's perfect for your space.

FEATURES

- **Easy to Maintain:** Made from 80% quartz and 20% hard acrylic resin, granite sinks are durable, resistant to scratches, stains and heat. They are easy to clean so that makes less work, giving you time to enjoy the things you love.
- **Sanitized®:** Our integrated antimicrobial Sanitized technology helps to keep your Franke granite sink a clean zone. Reduces odors and ensures safe protection against bacteria and mildew in your sink.
- **Always Colorful:** Thanks to the UV protection, the beautiful color of the granite will not fade and ensure long-lasting use.
- **Dual Mount Installation:** Provides versatility, installing as a fashionable undermount with an edgeless finish or an easy drop-in with rim extending over the countertop surface
- **Available in 6 Finishes:** Onyx, Mocha, Oyster, Champagne, Stone Grey, Polar White

Product Picture



Technical Drawing

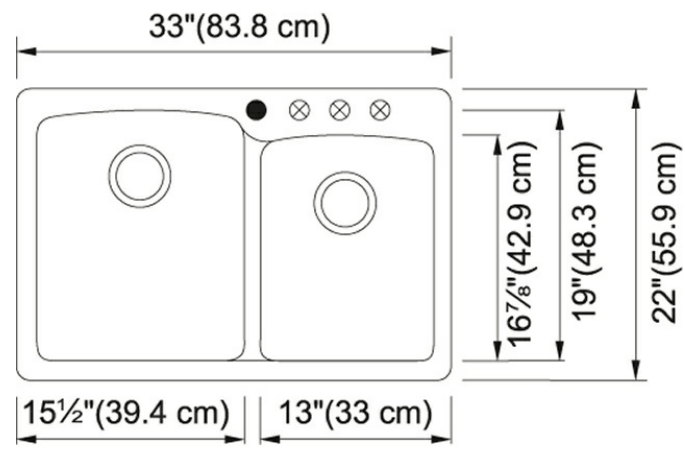
Product Dimensions

| | |
|----------------------|---------|
| Length overall | 33" |
| Width overall | 22" |
| Length of large bowl | 15 1/2" |
| Width of large bowl | 19" |
| Depth of large bowl | 9" |
| Length of small bowl | 13" |
| Width of small bowl | 16 7/8" |
| Depth of small bowl | 8" |
| Minimum Cabinet Size | 36" |

General Information

| | |
|--------------------|--------------|
| Type of Material | Granite |
| Number of Bowls | 2 |
| Faucet Hole | 4 pre-scored |
| Installation Clips | Yes |
| Cut-Out Template | Yes |





Article Numbers

| | |
|----------------|--------------|
| FUN# | 114.0637.900 |
| US Part Number | EOOY33229-1 |

