

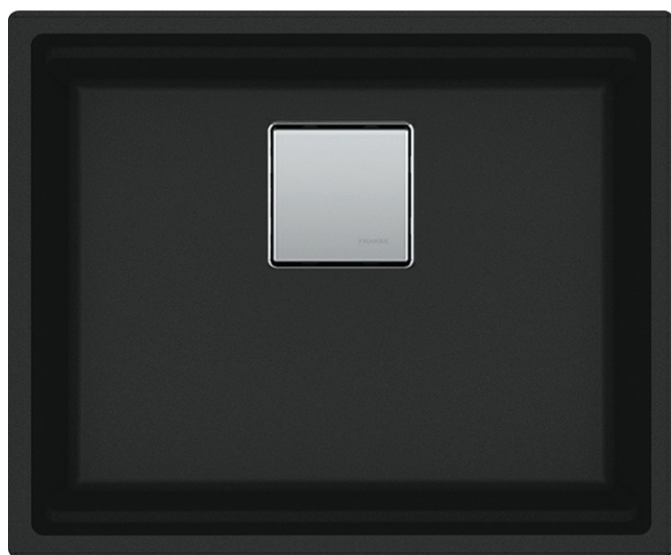
## Peak PKG11020MBK Granite Matte Black Kitchen Sink

Cooking is faster and more fun in a beautifully integrated and highly functional workspace, which is what you get with the Franke Peak Granite Collection

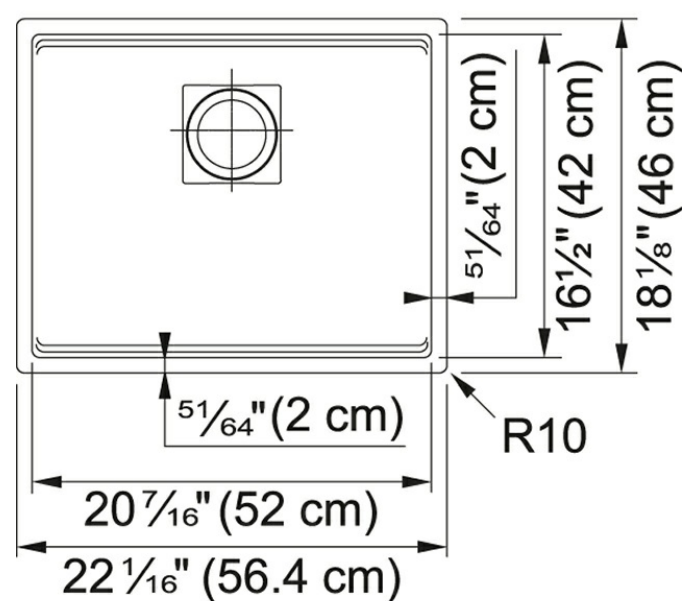
### FEATURES

- **Sanitized®:** Our integrated antimicrobial Sanitized technology helps to keep your Franke granite sink a clean zone. Reduces odors and ensures safe protection against bacteria and mildew in your sink.
- **Modern Style:** Clean lines, tight corners add a contemporary edge to this line of sinks, while the drain cover provides a flat bottom surface so glassware can stand up in the bowl of the sink.
- **Integrated Ledge:** The integrated ledge enhances the functionality of the sink by creating an elevated workspace, allowing you to work directly over the sink. Custom-fit accessories sold separately.
- **Undermount Installation:** Provides an edgeless finish that is easy to clean and is perfectly integrated into the kitchen environment.
- **Available in 8 Finishes:** Onyx, Mocha, Storm, Oyster, Champagne Stone Grey, Polar White, Matte Black

### Product Picture



### Technical Drawing



### Product Dimensions

Length overall	22 1/16"
Width overall	18 1/8"
Length of large bowl	20 7/16"
Width of large bowl	16 1/2"
Depth of large bowl	7 7/8"
Minimum Cabinet Size	27"

### General Information

Type of Material	Granite
Number of Bowls	1
Faucet Hole	0
Installation Clips	Yes
Cut-Out Template	Yes
Integral Ledge System	Yes

### Article Numbers

FUN#	125.0637.088
US Part Number	PKG11020MBK



