



RESIDENTIAL REPLACEMENT PARTS LIST RESIDENTIAL DAMPER “D” Series



DEFENDER
SAFETY SYSTEM[®]

Includes Hydrojet[®]
Total Performance System

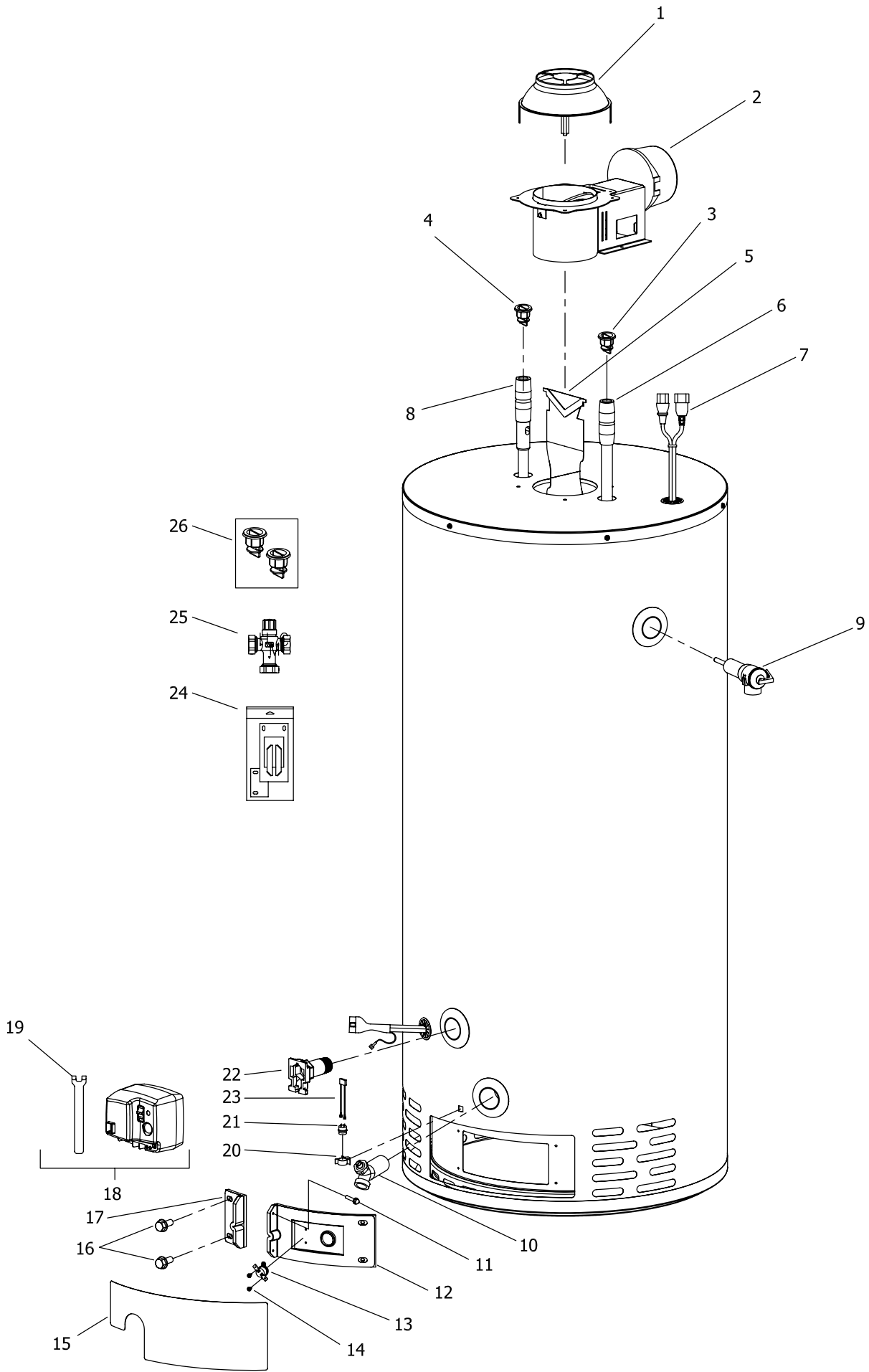
Effective: October 31, 2009
ECO 7454

**NOTE: BOTH MODEL AND SERIAL
NUMBERS ARE REQUIRED FOR
ORDERING REPLACEMENT PARTS**

Dimensions and specifications
subject to change without notice.

(D-4-403S6FBN Shown)

Parts Book #238-48321-00A



Item	Description	Model	Model
		D4403S*F(BN,SX)	D4504S*F(BN,SX)
1	Draft Hood	243-45787-00	243-45787-00
2	Flue Damper	265-47903-00	265-47903-00
3	Heat Trap Insert (Inlet)	239-45073-00	239-45073-00
4	Heat Trap Insert (Outlet)	239-45167-00	239-45167-00
5	Flue Baffle	243-47897-00	243-47898-00
6	Cold Water Inlet Dip Tube Polypropylene ▲▲	229-39625-24	229-39625-23
	Cold Water Inlet Polysulfone (NC Code) ▲▲	229-39628-27	229-39628-26
7	Safety Circuit Wire Harness	239-45617-01	239-45617-02
8	Hot Water Outlet Anode Magnesium ▲	224-47776-15	224-47776-15
	Hot Water Outlet Aluminum ▲	224-47778-15	224-47778-17
	Hot Water Outlet A420 Aluminum ▲	224-45147-02	224-45147-02
9	T&P Relief Valve	230-40594-02	230-40594-02
10	Brass Drain Valve	265-42351-02	265-42351-02
11	Screw-#8-18 x 3/4 HWH	239-44195-00	239-44195-00
12	Nat. Gas Right Side Inner Door Complete	239-43963-07	239-43963-07
	LP Gas Right Side Inner Door Complete	239-43963-07	239-43963-07
13	Nat. Gas Resettable Thermal Switch	239-43676-02	239-43676-02
	LP Gas Resettable Thermal Switch	239-43676-02	239-43676-02
14	Screw-#6-20 X 3/8	239-43967-00	239-43967-00
15	Outer Door	243-43962-00	243-43962-00
16	Screw-#10-12 x 3/4 HWH	239-44113-00	239-44113-00
17	Left Side Inner Door Complete	239-43968-18	239-43968-18
18	Gas Valve Natural Gas	239-45613-01	239-45613-01
	Gas Valve LP Gas	239-45614-01	239-45614-01
19	Gas Valve Service Tool	239-45991-00	239-45991-00
20	Flammable Vapor Sensor Clip	239-45648-00	239-45648-00
21	Flammable Vapor Sensor	239-45560-00	239-45560-00
22	Thermowell	233-45651-02	233-45651-02
23	Flammable Vapor Sensor Harness	243-47906-00	243-47906-00
24	Inner Door Gasket Kit	239-44078-00	239-44078-00
25	ASSE Approved Mixing Valve (Optional)	239-43740-01	239-43740-01
26	Kit-Heat Trap Insert	265-45419-00	265-45419-00

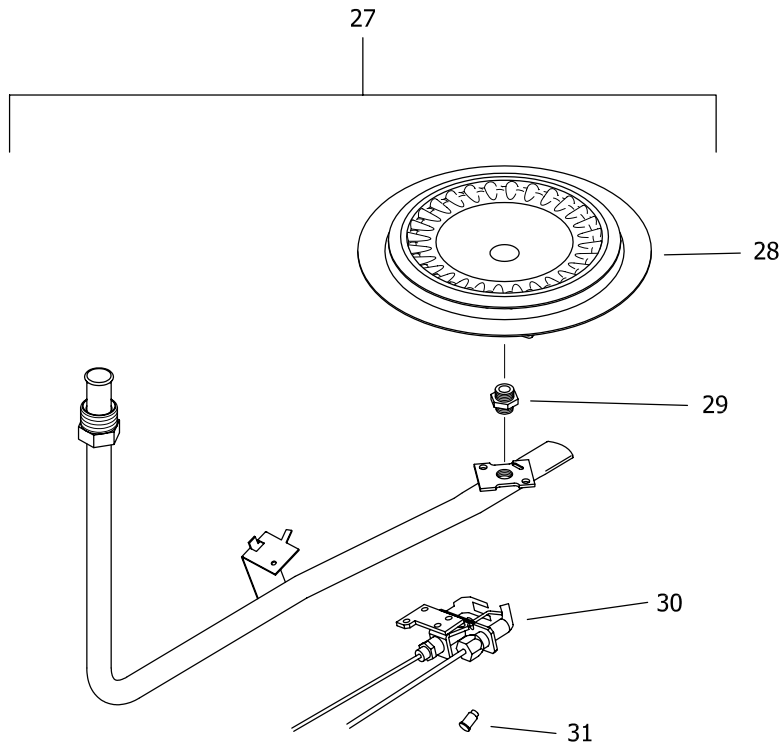
*Applies to all warranties

**Inner door gasket kit recommended

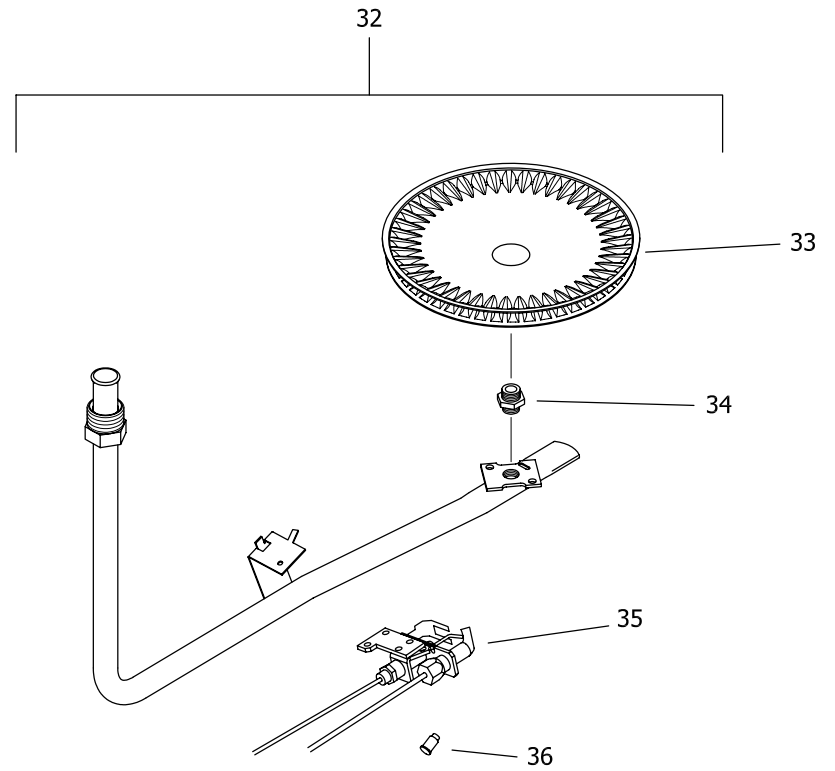
***Ordering a complete burner assembly may increase delivery time. Please order the specific component required for the quickest delivery.

▲ Order with item 4.

▲▲ Order with item 3.



NATURAL GAS (BN) BURNER ASSEMBLY



LP GAS (SX) BURNER ASSEMBLY

Item	Description	Model	Model
		D4403S*F(BN,SX)	D4504S*F(BN,SX)
<u>Natural Gas (BN) Burner Assembly</u>			
27	Nat Gas Burner Assembly Complete***	265-47439-06-32	265-47439-06-32
28	Nat. Gas (BN) Burner**	228-42506-00	228-42506-00
29	Nat. Gas (BN) Main Burner Orifice**	234-41034-32	234-41034-32
	Nat. Gas (BN) High Altitude 2001 Ft. to 5000 Ft.**	234-41034-36	234-41034-36
	Nat. Gas (BN) High Altitude 5001 Ft. to 8000 Ft.**	234-41034-38	234-41034-38
	Nat. Gas (BN) High Altitude Over 8000 Ft.**	234-41034-38	234-41034-38
30	Nat. Gas Pilot Assembly**	233-45653-05	233-45653-05
31	Nat. Gas Pilot Orifice**	234-45869-01	234-45869-01
<u>LP Gas (SX) Titanium Stabilized Stainless Steel Burner Assembly</u>			
32	LP Gas Burner Assembly Complete***	265-47440-09-50	265-47440-09-50
33	LP Gas (SX) Burner**	228-46964-00	228-46964-00
34	LP Gas (SX) Main Burner Orifice**	234-47064-50	234-47064-50
	LP Gas (SX) High Altitude 2001 Ft. to 5000 Ft.**	234-47064-51	234-47064-51
	LP Gas (SX) High Altitude 5001 Ft. to 8000 Ft.**	234-47064-52	234-47064-52
	LP Gas (SX) High Altitude Over 8000 Ft.**	234-47064-53	234-47064-53
35	LP Gas Pilot Assembly**	233-45653-04	233-45653-04
36	LP Gas Pilot Orifice**	234-45869-02	234-45869-02

*Applies to all warranties

**Inner door gasket kit recommended

***Ordering a complete burner assembly may increase delivery time. Please order the specific component required for the quickest delivery.

▲ Order with item 4.

▲▲ Order with item 3.



BRADFORD WHITE®

W A T E R H E A T E R S

Ambler, PA

For U.S. and Canada field service,
contact your professional installer or
local Bradford White sales representative.

Sales/800-523-2931
Fax/215-641-1670
Parts Fax/215-641-2180

Technical Support/800-334-3393
Fax/269-795-1089

Warranty/800-531-2111
Fax/269-795-1089

International:
Telephone/215-641-9400
Telefax/215-641-9750



BRADFORD WHITE-CANADA® INC.

Mississauga, ON

Sales/866-690-0961
905-238-0100

Fax/905-238-0105

Technical Support/800-334-3393

Email

parts@bradfordwhite.com
techserv@bradfordwhite.com

www.bradfordwhite.com