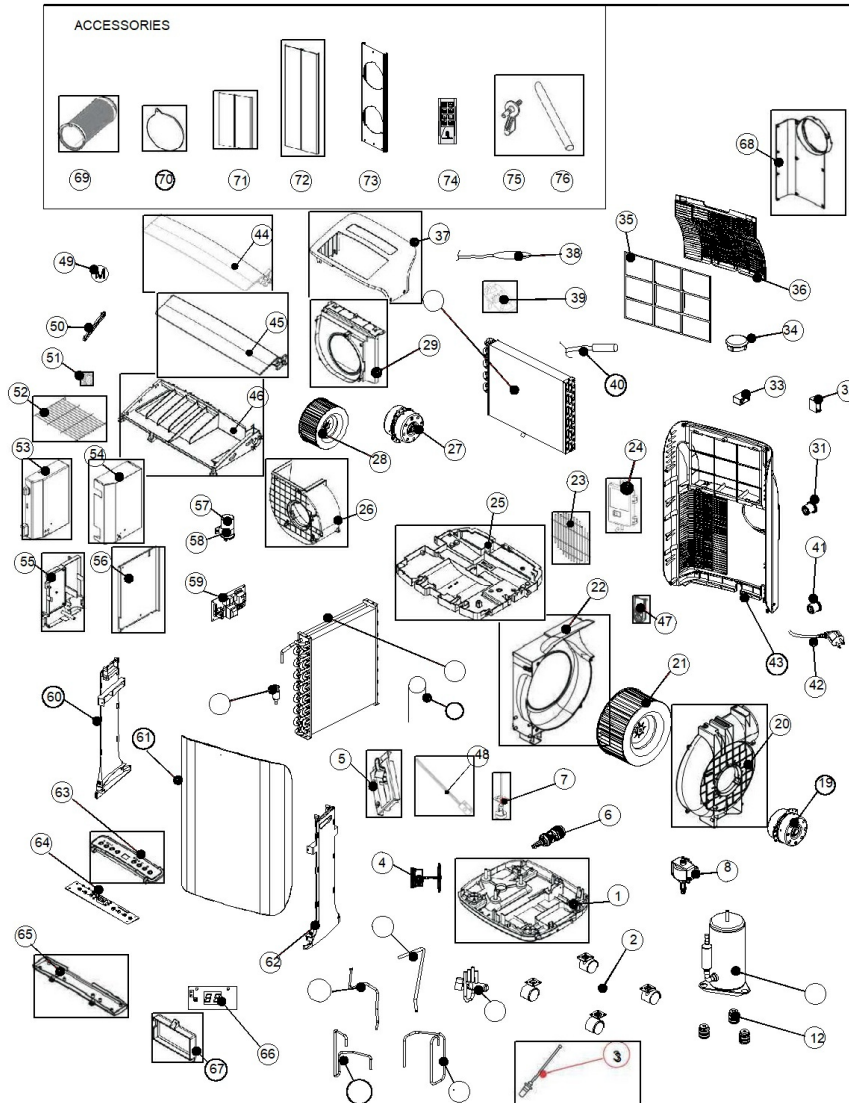




**ZHP14DB**



**ZHP14DB**

N.	Part Number	Description	Qty	
1	67907034	Base Pan	1	
2	67904001	Turning Wheel (Caster)	1	
3	67905001	Soft Cap	1	
4	67907013	Dc Splashing Motorr(Rsh6870S 1	1	
5	67907064	Fixture	1	
6	67904102	Quick Connector	1	
7	67907005	Water Level Switch	1	
8	67905202	Pump	1	
12	67905006	Rubber	1	
19	67907094	Fan Motor (Ydk-09506006)	1	
20	67907041	Fan Casing	1	
21	67907045	Blower Wheel	1	
22	67907042	Fan Casing	1	
23	67907088	Screen	1	
24	67907011	Wifi Module	1	
25	67907055	Middle Plate	1	
26	67907039	Fan Casing	1	
27	67907092	Fan Motor (Ydk-09502106)	1	
28	67907044	Blower Wheel	1	
29	67907040	Fan Casing	1	



**ZHP14DB**

N.	Part Number	Description	Qty	
31	67905026	Plug	1	
32	67907097	Capacitor (12Uf/250V)	1	
33	67907096	Capacitor (5Uf/250V)	1	
34	67907090	Cover (Screw)	1	
35	67905099	Air Filter	1	
36	67905028	Intake Grille	1	
37	67907025	Top Cover	1	
38	67907004	Sensor For Room Temperature	1	
39	67907061	Fixture	1	
40	67907100	Sensor For Humidity	1	
41	67907089	Plug	1	
42	67907024	Power Supply Cord Complete	1	
43	67907028	Rear Panel	1	
44	67907032	Air Deflector	1	
45	67907031	Air Deflector	1	
46	67907029	Discharge Grille	1	
47	67905053	Push Button Switch	1	
48	67907007	Water Level Switch	1	
49	67907012	Stepping Motor	1	
50	67905054	Bar	1	

**ZHP14DB**

N.	Part Number	Description	Qty	
51	67905082	Gear	1	
52	67907087	Screen	1	
53	67907070	Electric Box	1	
54	67907056	Cover	1	
55	67907063	Electric Box	1	
56	67907095	Fixture	1	
57	67907098	Capacitor( 60Uf/300V)	1	
58	67907102	Strike	1	
59	67907001	Control Board	1	
60	67907026	Side Plate	1	
61	67905075	Front Panel	1	
62	67907027	Side Plate	1	
63	67907033	Control Plate	1	
64	67907009	Pc Board	1	
65	67905091	Fixture	1	
66	67905066	Display Board	1	
67	67905092	Fixture	1	
68	67907072	Cover	1	
69	67907073	Heat Exhaust Hose Ass'Y	1	
70	67907071	Cover	1	

**ZHP14DB**

N.	Part Number	Description	Qty	
71	67905088	Window Plate (252.5Mm)	1	
72	67905087	Window Plate (505Mm)	1	
73	67905258	Window Connector Plate	1	
74	67905067	Remote Control Assy	1	
75	67907017	Connector	1	
76	67904235	Drainage Pipe	1	