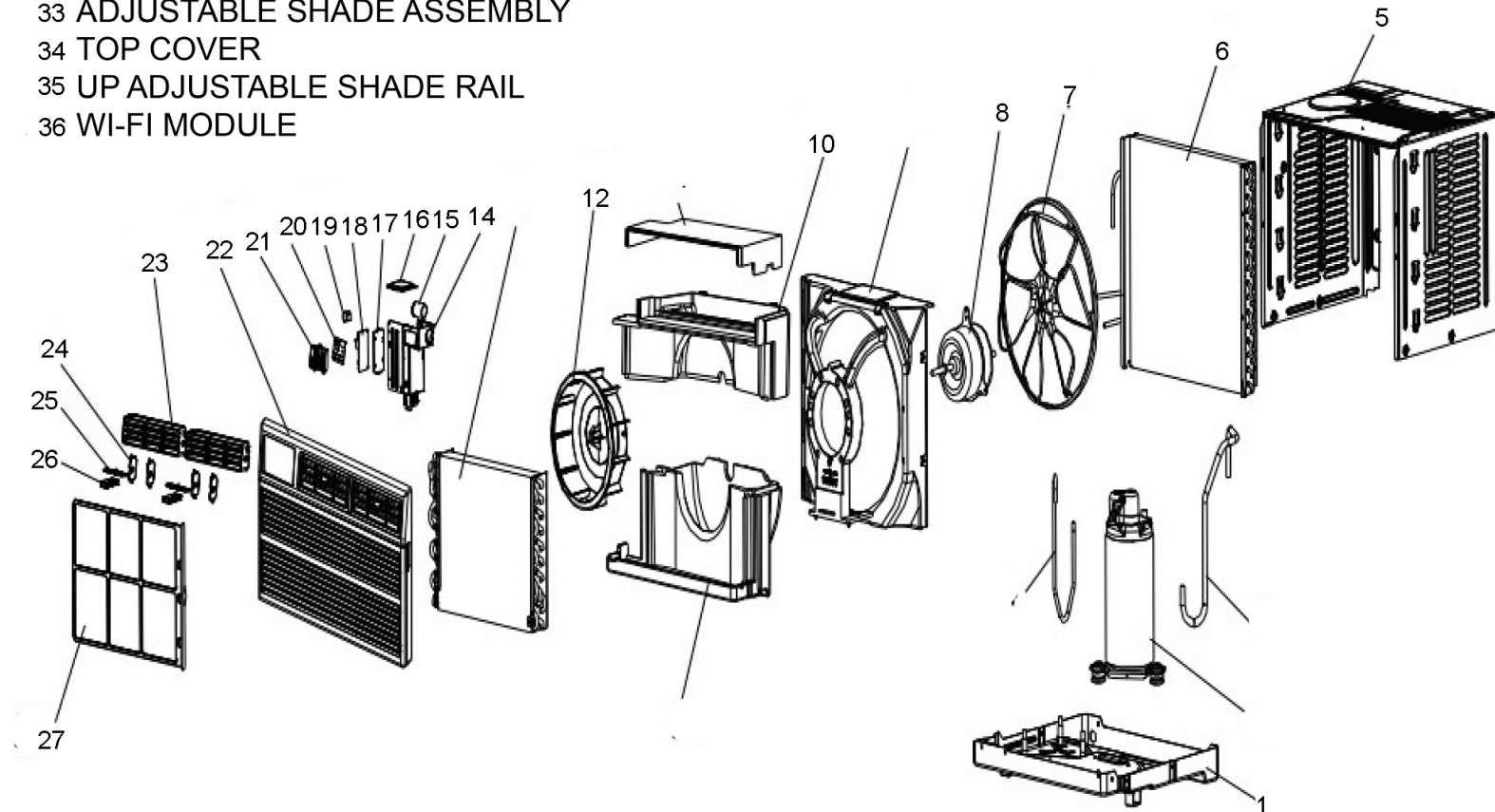


NON-ILLUSTRATED PARTS


- 29 POWER SUPPLY CORD
- 30 REMOTE CONTROL
- 31 SENSOR
- 33 ADJUSTABLE SHADE ASSEMBLY
- 34 TOP COVER
- 35 UP ADJUSTABLE SHADE RAIL
- 36 WI-FI MODULE



**CCW08B10B**

N.	Part Number	Description	Qty
1	68000464	41502-000051 - Base	1
5	68000468	41508-000039 - Cabinet	1
6	68000469	92011-005428 - Condenser	1
7	68000470	41503-000027 - Propeller Fan	1
8	68000491	22001-000502 - Fan Motor	1
10	68000472	41504-000207 - Vortex Shell	1
12	68000473	Centrifugal Fan	1
14	68000475	41505-000282 - Electrical Box	1
15	68000025	Capacitor	1
16	68000477	41505-000280 - Electrical Box Cover	1
17	68000065	41214-000877 - Main PCB Supporter	1
18	68000462	Main PCB	1
19	68000040	Transformer	1
20	68000315	Display PCB	1
21	68000120	Control Box Panel	1
22	68000479	41507-000019 - Front Panel	1
23	68000480	41507-000115 - Leading Flow Circle	1
24	68000481	41507-000091 - Louver	1
25	68000482	41507-000070 - Louver Connector	1
26	68000167	Swing Rod	1

**CCW08B10B**

N.	Part Number	Description	Qty	
27	68000014	Air Filter	1	
29	68000020	Power Supply Cord	1	
30	68000036	Remote Control	1	
31	68000463	Sensor	1	
33	68000484	41509-000063 - Adjustable Shade Assembly	1	
34	68000487	A1502-000018 - Top Cover	1	
35	68000022	41509-000021 - Up Adjustable Shade Rail	1	
36	68000039	Wifi	1	