

Lockwing



Utility Gas Ball Valve, Full Port, Service Bypass, Insulated Tailpiece, 125 PSIG



Brass



T.E.A. Coated

125-LWIBP

Features

- Tamper Resistant Lockwing Cap
- 2 FKM O-Rings
- Full Port Design to Accommodate
- Industry Leading Stop Changers
- Lockwing Accommodates Standard Barrel Locks
- Maintenance Free Design
- Patented Security Shutter and Lockwing Tab - US Patent No. 6,648,009
- 100% Leak Tested
- 100% Made in Italy
- Leakproof Stem - Lifetime Warranty

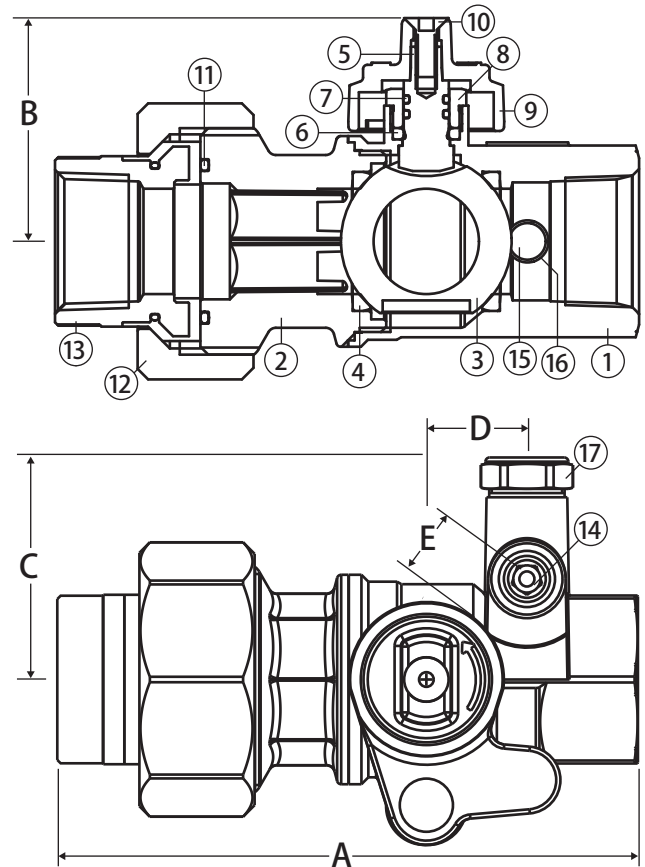
Approvals

- Meets or exceeds applicable part of DOT 192 and ANSI B16.33
- MSS SP-110

Pressure Rating

- 125 PSIG
- Temp range: -40°F to 300°F

WARNING: This product can expose you to chemicals including lead, which is known to the State of California to cause cancer, and lead, which is known to the State of California to cause birth defects or other reproductive harm. For more information go to www.P65Warnings.ca.gov.



Material Specifications

| No. | Part | Materials |
|-----|----------------------|------------------------------|
| 1 | Body | Brass - C37700 |
| 2 | End Connection | Brass - C37700 |
| 3 | Ball | Chrome Plated Brass - C37700 |
| 4 | Seat (2) | PTFE G300 |
| 5 | Stem | Brass - C38500 |
| 6 | Packing | Buna-N |
| 7 | Stem O-ring (2) | FKM |
| 8 | Packing Gland | Brass - C38500 |
| 9 | Lockwing Cap | Brass - C37700 |
| 10 | Screw | 304 Stainless Steel |
| 11 | Union O-ring | Viton® |
| 12 | Union Nut | Brass - C37700 |
| 13 | Insulated Tail Piece | Zytel® / Brass - C37700 |
| 14 | Bypass Plug | Brass - C38500 |
| 15 | Bypass Set Screw | Brass - C38500 |
| 16 | Bypass O-ring | Viton® |
| 17 | Bypass Cap | Brass - C38500 |

Dimensions

| Part No. | Size | A | B | C | D | E |
|----------|------|------|------|------|------|------|
| 243-005D | 1" | 5.50 | 2.05 | 2.08 | 0.95 | 0.59 |