

FREY WALL-MOUNT VANITY

WITH VESSEL SINK

SKU: 949558, 949559, 949560, 949561, 949562, 949563, 949564, 949565, 949566

BEFORE YOU BEGIN

We recommend consulting a professional if you are unfamiliar with installing plumbing fixtures. Signature Hardware accepts no liability for any damage to the vanity, plumbing, countertop, sink, wall, or for personal injury during installation.

Observe all local plumbing and building codes.

Unpack and inspect the product for shipping damage. If any damage is found, contact our Customer Relations team at 1-866-855-2284.

GETTING STARTED

- Ensure that you have gathered all of the required materials that are needed for the installation.
- Because wall construction and materials vary from home to home, Signature Hardware does not always provide mounting hardware. The appropriate mounting hardware can be purchased from your local hardware store.
- The vanity must be fastened to studs behind the finished wall. If the studs do not align with the vanity, proper wood blocking must be installed between the studs where the vanity will mount.

TOOLS AND MATERIALS:



Pencil



Level



Drill



Tape Measure



Phillips
Screwdriver



Damp Cloth

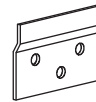


Stud Finder

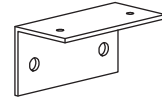


Silicone Sealant
(100% Neutral Cure)

HARDWARE LIST



Hanging Bracket
60x45 - 2pcs



Mounting Bracket
100x50 - 2pcs



Screw
4x40 - 10pcs



Screw
4x20 - 4pcs

REVISED 01/28/2021

CODES: 531215, 531216, 531217, 531221
531222, 531223, 531227, 531228, 531229

For Warranty information, please visit: signaturehardware.com/services/warranty

FREY WALL-MOUNT VANITY

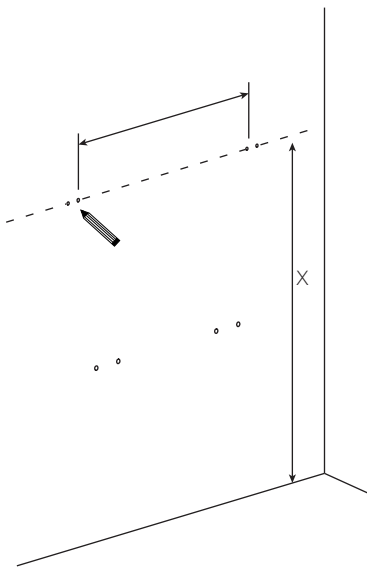
WITH VESSEL SINK

SKU: 949558, 949559, 949560, 949561, 949562, 949563, 949564, 949565, 949566

CABINET INSTALLATION

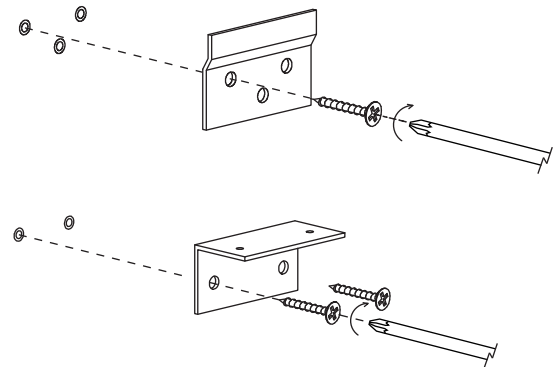
1. Mark the position of the mounting holes on the wall by measuring the space between the centers of the mounting brackets on the back of the vanity. Vertical position (X) is decided by the purchaser. Remember to mark low enough to accommodate the sink on the top of the vanity counter or it will be too high when installed. Use a level to ensure the screw holes are horizontal.

Important: If the studs in your bathroom do not line up to the mounting location for your vanity, wood blocking can be installed between the studs using standard 2 x 4's. If the wood blocking needs to be installed behind the finished wall, we recommend consulting a professional if you are unfamiliar with this type of installation.



2. Drill pilot holes at marked mounting points. Insert wall anchors into the mounting holes for reinforcement. Align mounting brackets with pilot holes and secure with provided hardware.

Note: Installation can vary depending on wall material, be sure to use the appropriate hardware for your installation. We recommend consulting a professional if you are unfamiliar with this type of installation

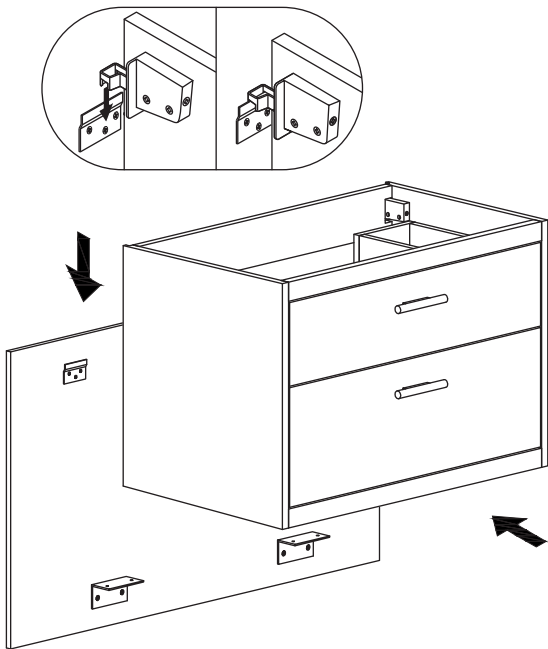


FREY WALL-MOUNT VANITY

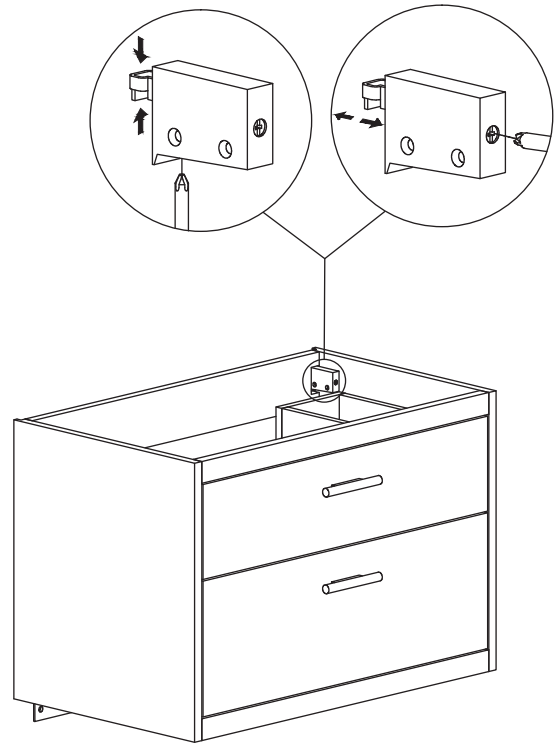
WITH VESSEL SINK

SKU: 949558, 949559, 949560, 949561, 949562, 949563, 949564, 949565, 949566

3. Attach vanity to wall by lowering onto the mounting brackets.



4. Adjust the mounting attachment as required. Lower screw adjusts vertical position. Upper screw adjusts depth.

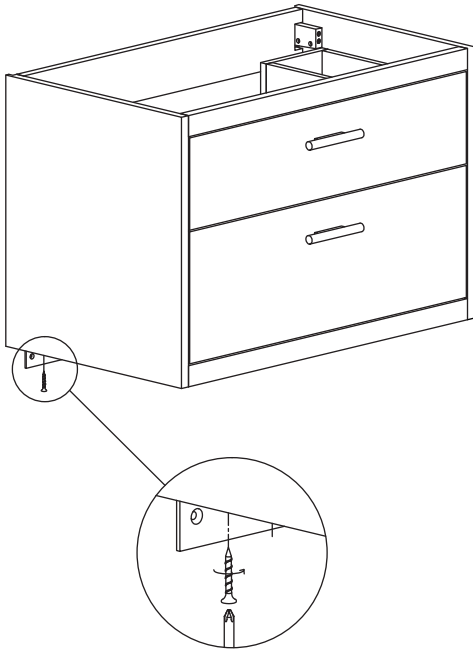


FREY WALL-MOUNT VANITY

WITH VESSEL SINK

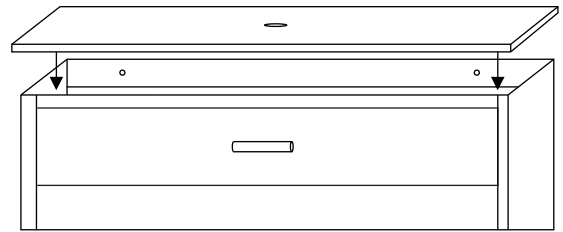
SKU: 949558, 949559, 949560, 949561, 949562, 949563, 949564, 949565, 949566

5. Complete vanity cabinet installation by securing cabinet to bottom mounting bracket using the provided mounting hardware.



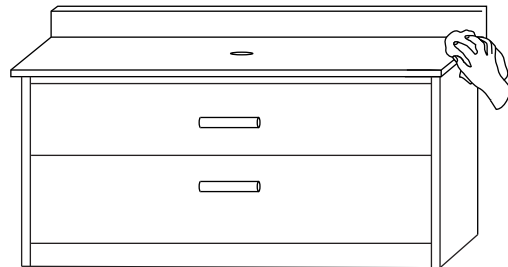
COUNTERTOP INSTALLATION

1. Apply a bead of silicone sealant around the top edge of the vanity cabinet.



2. With assistance from another person, slowly and carefully set the countertop onto the vanity cabinet. Once positioned, press firmly into place. Wipe away any excess sealant using a damp cloth.

Important: The countertop is very fragile. Take caution when handling, and have someone assist you.

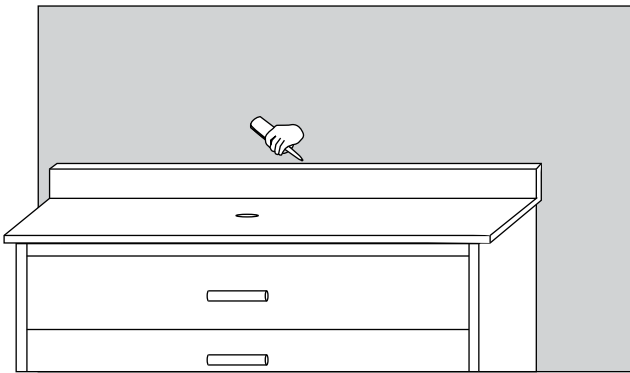


FREY WALL-MOUNT VANITY

WITH VESSEL SINK

SKU: 949558, 949559, 949560, 949561, 949562, 949563, 949564, 949565, 949566

3. If you are installing a side-splash and/or back-splash, place a generous amount of silicone sealant on the back of it and press it into place against your bathroom wall. Fill any gaps that are left with silicone sealant. Wipe away any excess sealant with a damp cloth.

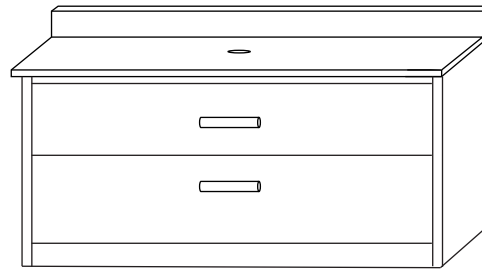


4. Let the assembled vanity sit for 24 hours to allow all the silicone sealant to fully dry. Once dry, proceed to the installation of your faucet and drain.

Note: In some situations, it may be necessary to cut the inner cabinet shelves to allow space for your drain's P-traps.



5. For stone tops, such as marble and granite, it is recommended that you apply a high-quality sealer to protect from staining and discoloration. Stone sealer should be reapplied once or twice per year, depending upon usage.



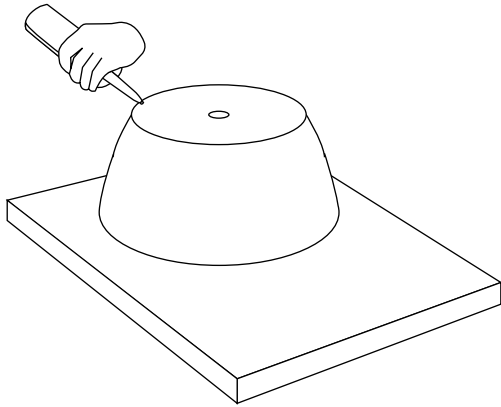
FREY WALL-MOUNT VANITY

WITH VESSEL SINK

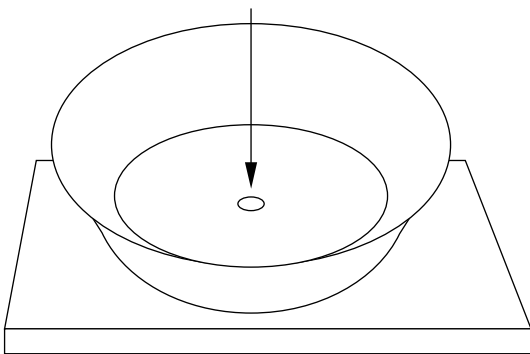
SKU: 949558, 949559, 949560, 949561, 949562, 949563, 949564, 949565, 949566

SINK INSTALLATION

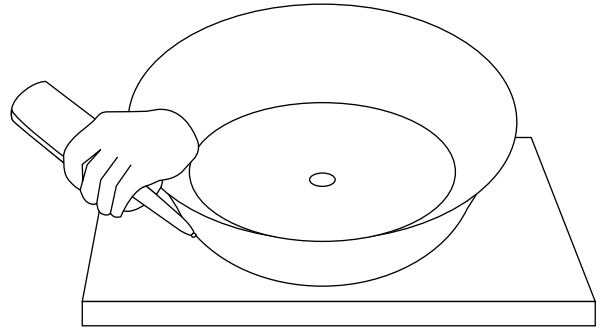
1. Carefully place your vessel sink upside down on the countertop. Apply a generous amount of silicone sealant to the base of the sink where it will rest on the counter.



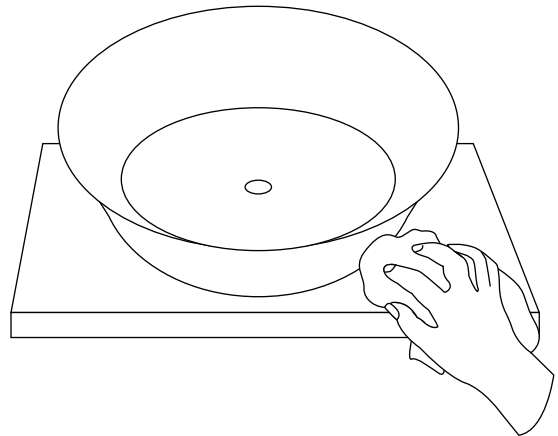
2. Turn the sink right-side-up and position over the 2" drain hole.



3. If desired, apply a continuous bead of silicone sealant around the perimeter of the sink base for additional stability.



4. Remove any excess sealant to complete the sink installation.



FREY WALL-MOUNT VANITY

WITH VESSEL SINK

SKU: 949558, 949559, 949560, 949561, 949562, 949563, 949564, 949565, 949566

5. Let the assembled vanity sit for 24 hours to allow all the silicone sealant to fully dry. Once dry, proceed to the installation of your faucet and drain assemblies.

Note: In some situations, it may be necessary to cut the inner cabinet shelves to allow space for your drain's P-traps.

