

STRATOS 30 CHANDELIER

VISUAL COMFORT & CO.

PRODUCT FEATURES

- Add a touch of contemporary style to your space with this beautiful LED chandelier
- Medium and large diameter options perfect for addressing popular interior design trends
- Available in modern finishes
- Fully dimmable LED lamping options to create the desired ambiance
- High quality, long-lasting integrated LED lamping included to save you time and money
- Protected by a 5-year warranty, please visit www.techlighting.com for details



Smoke / Black
30"



Smoke / Black
30"

LAMPING

Includes 120-277 universal voltage, 43.9 watt, 2868 delivered lumen, 2700K LED module. Dimmable with most LED compatible ELV, TRIAC and 0-10V dimmers. Fixture provided with twelve feet of field-cutttable cable.

ORDERING INFORMATION

700STR	SHAPE OR SIZE	COLOR	LAMP
	30" DIAMETER 30	FS FROST/SATIN NICKEL KB SMOKE/BLACK	-LED927 LED 90 CRI 2700K 120V

700STR _____

JOB NAME _____

NOTES _____

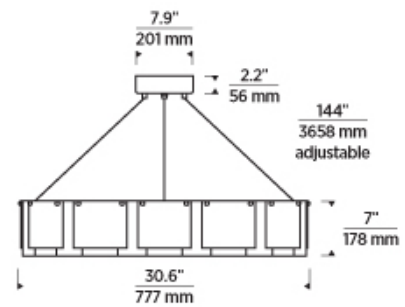


STRATOS 30 CHANDELIER

VISUAL COMFORT & Co.

SPECIFICATIONS

PRIMARY MATERIAL	Glass
SHADE MATERIAL	Glass
NET WEIGHT	22 lbs
HEIGHT	7in
WIDTH	30.6in
LENGTH	30.6in
UP LIGHT / DOWN LIGHT / BOTH?	
WET LISTED	
DAMP LISTED	
DRY LISTED	
MIN. HANGING HEIGHT	13in
MAX HANGING HEIGHT	15in
TOTAL CORD LENGTH	144in
TOTAL STEM LENGTH	
STEM QTY	
SLOPED CEILING ADAPTABLE?	Yes 45° Max
GENERAL LISTING	ETL Listed
INCLUDES	



LAMPING SPECIFICATIONS

	LED LAMP	INTEGRATED LED	NON LED	NO LAMP
DELIVERED LUMENS		2868		
WATTS		43.9		
MAX WATTAGE PER BULB		43.9W		
		Universal 120V-277V 0-10, ELV, TRIAC		
CCT		2700K		
CRI		90 CRI		
LED LIFETIME		>50000		
L70				
AVERAGE BULB HOURS				
FIELD SERVICEABLE LED				
LAMP BASE		Integrated LED		
LAMP SHAPE		Integrated LED		
LAMP INCLUDED?		True		
WARRANTY**		5 Years		

* Dimming information available at www.techlighting.com/Downloads#dimming

** Visit techlighting.com for specific warranty limitations and details.

T20 / T24 / JA8 INFORMATION

	Integrated LED	Replacement LED Lamp	No Lamp *
This product can be used to comply with California Building Energy Efficiency Standards 2016 Title 24 Part 6 / JA8.	Yes		
This product can be used to comply with California Appliance Efficiency Standards 2016 Title 20 and may be shipped to and sold in California.	N/A		

* If a light fixture or component does not include a lamp or light source, it is the responsibility of the customer to select a lamp that meets the T24 and T20 requirements.

