

Arlys™ Technical Specification

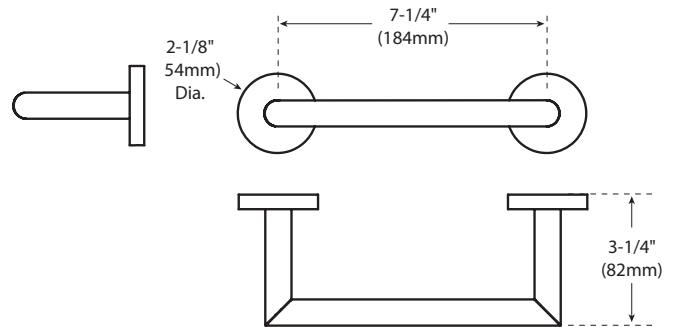
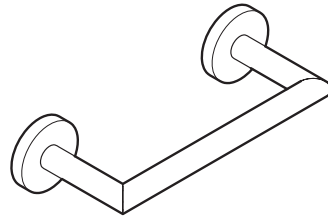
Towel Ring

Y5786

Stock Numbers:

- **Y5786BN – Towel Ring**
Brushed Nickel Finish
- **Y5786BL – Towel Ring**
Matte Black Finish

Dimensions:



Materials:

Towel Ring base is constructed of zinc. **Ring** is aluminum.

Installation Instructions:

1. Remove the mounting bracket from the body by loosening the set screw.
2. Position the assembled unit on the wall where desired.
3. Lightly mark the outline of the base.
4. Center a mounting bracket within each base outline with "UP" facing you .
5. Mark the hole location of mounting bracket.
6. Attach each mounting bracket to the wall, using the wall anchors provided
7. Mount the base on the mounting bracket. Check and make sure that the base set screw hole(s) are facing down. Assemble a set screw to the base. Use the allen wrench included in hardware kit to tighten set screw and secure the assembly to the mounting bracket(s).

Cleaning Instructions:

To preserve the fine finish of this product, clean only with a soft damp cloth. Dry well. Do not use commercial or abrasive cleaners.

Stock Number: _____ **Towel Ring**
By Moen Incorporated

MOEN®

25300 AL MOEN DRIVE • NORTH OLMSTED, OH 44070
CORPORATE HEADQUARTERS: (800) 321-8809 • FAX: (800) 848-6636
INTERNATIONAL: (440) 962-2000 • FAX: (440) 962-2726
CUSTOMER SERVICE (USA): 800-882-0116 • FAX: (888) 379-2720
WWW.MOEN.COM

© 2019 Moen Incorporated. Moen is a registered trademark and Arlys is a trademark of Moen Incorporated. All rights reserved.