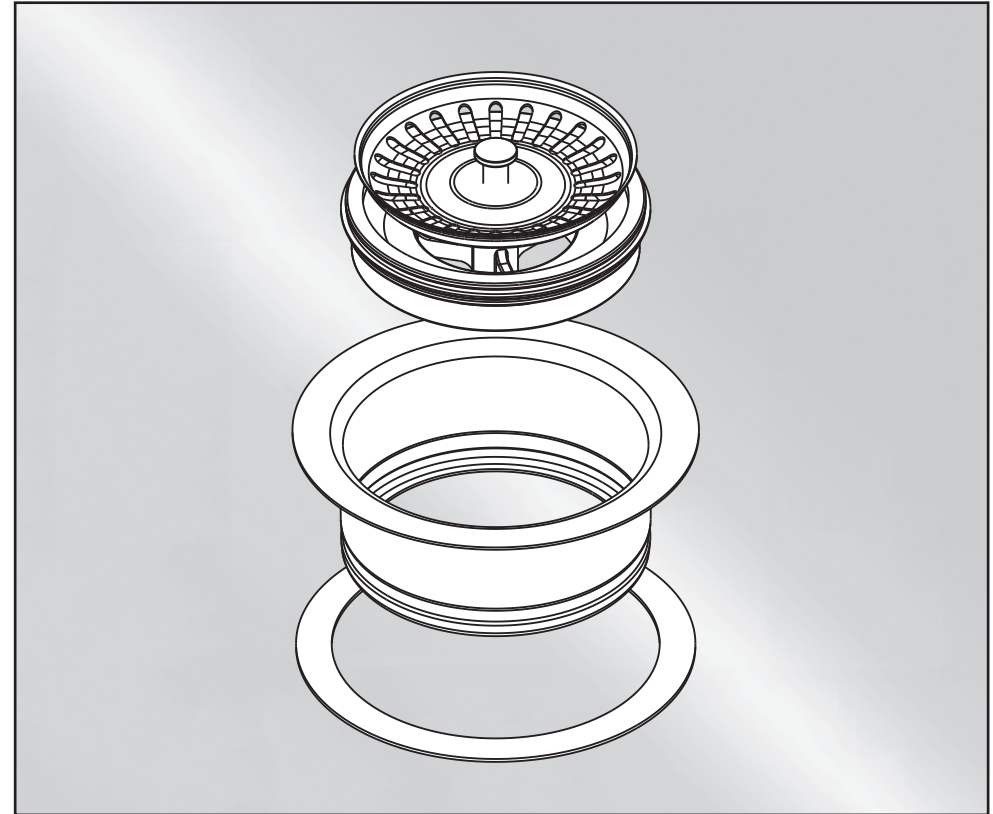


BLANCO



BLANCO America carries a 1 YEAR LIMITED WARRANTY ON ALL CUSTOM ACCESSORIES including drains and waste disposal flanges to be free of all manufacturing defects under normal use. The original waste disposer warranty may be voided as a result of using a non original flange.

BLANCO

BLANCO AMERICA, INC.
110 Mount Holly By-Pass
Lumberton NJ 08048
Phone: (800)451-5782
Fax: (800)213-1963
www.blancoamerica.com

BLANCO

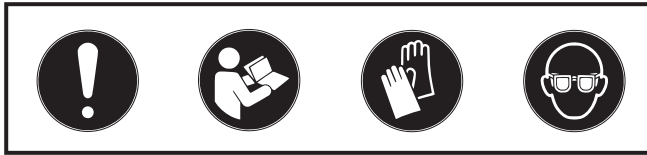
BLANCO CANADA INC.
100 Corporation Drive
Brampton, Ontario, L6S 6B5

Toll Free Telephone/
Téléphone sans frais 1-877-425-2626

240 473 12/2020



www.blanco.com/sos



✓ OK
✗ not OK

