

ZEPHYR

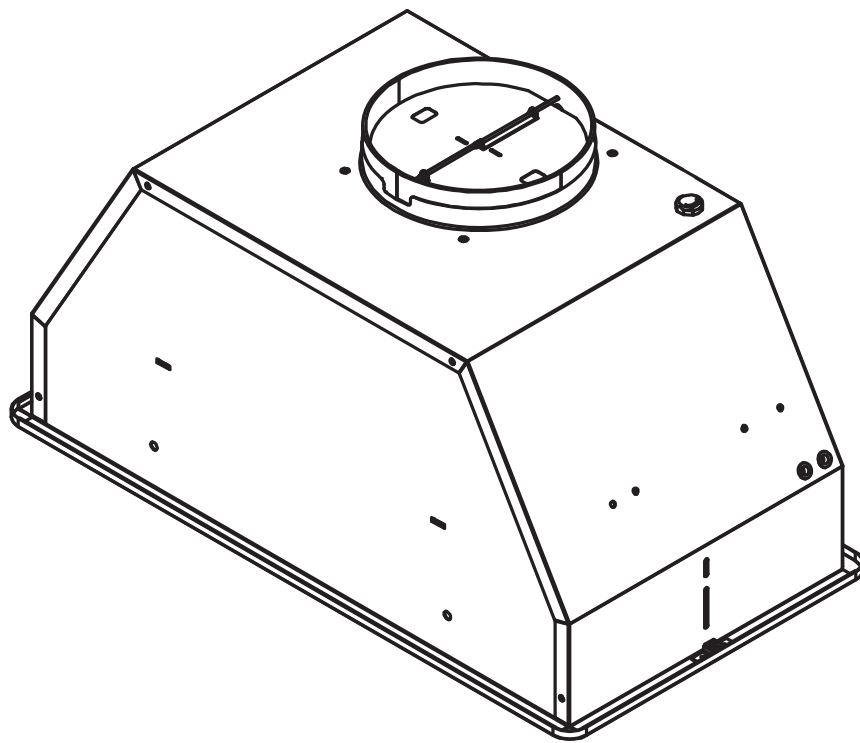
WWW.ZEPHYRONLINE.COM

Tornado Mini

AK8400BS, AK8400BS290

EN Use, Care, and Installation Guide

FR Guide d'utilisation, d'entretien et d'installation



	Page
Safety Information	4-6
Types of Safety Warnings.....	4
General Safety	4-5
Operation	6
Electrical Requirements	6
List of Materials.....	7
Installation Instructions.....	8-14
Ducting Calculation Sheet.....	8
Mounting Height, Clearance, & Ducting	9
Ducting Options	10
Hood Specifications.....	11
Electrical Supply.....	12
Grounding.....	12
Mounting the Hood.....	13
Ductless Recirculation	14
Features & Controls.....	15
Slide Controls	15
Maintenance	16-17
Hood & Filter Cleaning.....	16-17
LumiLight LED	17
Wiring Diagram	18
Troubleshooting.....	19-20
List of Parts & Accessories	21
Notes.....	22
Limited Warranty	23
Product Registration.....	24

Safety Information

READ AND SAVE THESE INSTRUCTIONS

Your safety and the safety of others are very important. We have provided many important safety messages in this manual for your appliance. Always read and obey all safety messages.



This is the Safety Alert Symbol. This symbol alerts you to potential hazards that can cause severe bodily injury or death. All safety messages will follow the Safety Alert Symbol and either the words “DANGER” “WARNING” or “CAUTION”



General Safety



WARNING - TO REDUCE THE RISK OF FIRE, ELECTRIC SHOCK, OR INJURY TO PERSONS, OBSERVE THE FOLLOWING:

- Use this unit only in the manner intended by the manufacturer. If you have questions, contact the manufacturer.
- Before servicing or cleaning unit, switch power off at service panel and lock the service disconnecting means to prevent power from being switched on accidentally. When the service disconnecting means cannot be locked, securely fasten a prominent warning device, such as a tag, to the service panel.



WARNING - TO REDUCE THE RISK OF A RANGE TOP GREASE FIRE:

- Never leave surface units unattended at high settings. Boilovers cause smoking and greasy spillovers that may ignite. Heat oils slowly on low or medium settings.
- Always turn hood ON when cooking at high heat or when flambeing food. (i.e. Crepes Suzette, Cherries Jubilee, Peppercorn Beef Flambe’).
- Clean ventilating fans frequently. Grease should not be allowed to accumulate on fan or filter.
- Use proper pan size. Always use cookware appropriate for the size of the surface element.

READ AND SAVE THESE INSTRUCTIONS



WARNING - TO REDUCE THE RISK OF INJURY TO PERSONS IN THE EVENT OF A RANGE TOP GREASE FIRE, OBSERVE THE FOLLOWING^o:

- a) SMOTHER FLAMES with a close-fitting lid, cookie sheet, or metal tray, then turn off the burner. BE CAREFUL TO PREVENT BURNS. If the flames do not go out immediately, EVACUATE AND CALL THE FIRE DEPARTMENT.
- b) NEVER PICK UP A FLAMING PAN – You may be burned.
- c) DO NOT USE WATER, including wet dishcloths or towels – a violent steam explosion will result.
- d) Use an extinguisher ONLY if:
 - 1) You know you have a Class ABC extinguisher, and you already know how to operate it.
 - 2) The fire is small and contained in the area where it started.
 - 3) The fire department is being called.
 - 4) You can fight the fire with your back to an exit

^oBased on “Kitchen Firesafety Tips” published by NFPA.



WARNING - TO REDUCE THE RISK OF FIRE, ELECTRIC SHOCK, OR INJURY TO PERSONS, OBSERVE THE FOLLOWING:

- a) Installation work and electrical wiring must be done by qualified person(s) in accordance with all applicable codes and standards, including fire-rated construction.
- b) Sufficient air is needed for proper combustion and exhausting of gases through the flue (chimney) of fuel burning equipment to prevent back drafting. Follow the heating equipment manufacturer’s guideline and safety standards such as those published by the National Fire Protection Association (NFPA), and the American Society for Heating, Refrigeration and Air Conditioning Engineers (ASHRAE), and the local code authorities.
- c) When cutting or drilling into wall or ceiling, do not damage electrical wiring and other hidden utilities.
- d) Ducted fans must always be vented to the outdoors.
- e) If this unit is to be installed over a tub or shower, it must be marked as appropriate for the application and be connected to a GFCI (Ground Fault Circuit Interrupter) - protected branch circuit.



READ AND SAVE THESE INSTRUCTIONS

Operation

- ▶ Always leave safety grilles and filters in place. Without these components, operating blowers could catch onto hair, fingers and loose clothing.
- ▶ The manufacturer declines all responsibility in the event of failure to observe the instructions given here for installation, maintenance and suitable use of the product. The manufacturer further declines all responsibility for injury due to negligence and the warranty of the unit automatically expires due to improper maintenance.

NOTE: Please check www.zephyronline.com for revisions before doing any custom work.

Electrical Requirements

Important:

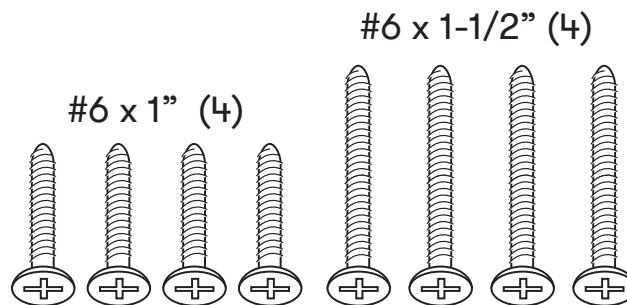
- ▶ Observe all governing codes and ordinances.
- ▶ It is the customer's responsibility to be aware of these below:
- ▶ To contact a qualified electrical installer.
- ▶ To assure that the electrical installation is adequate and in conformance with National Electrical Code, ANSI/NFPA 70 latest edition* or CSA standards C22.1-94, Canadian Electrical Code, Part 1 and C22.2 No.0-M91 - latest edition** and all local codes and ordinances.
- ▶ If codes permit and a separate ground wire is used, it is recommended that a qualified electrician determine that the ground path is adequate.
- ▶ Do not ground to a gas pipe.
- ▶ Check with a qualified electrician if you are not sure the range hood is properly grounded.
- ▶ Do not have a fuse in the neutral or ground circuit.
- ▶ This appliance requires a 120V 60Hz electrical supply and connected to an individual properly grounded branch circuit protected by a 15 or 20 ampere circuit breaker or time delay fuse. Wiring must be 2 wire with ground. Please also refer to Electrical Diagram on product.
- ▶ A cable locking connector (not supplied) might also be required by local codes. Check with local requirements, purchase and install appropriate connector if necessary.

* National Fire Protection Association Batterymarch Park, Quincy, Massachusetts 02269

** CSA International 8501 East Pleasant Valley Road, Cleveland, Ohio 44131-5575

Parts Supplied

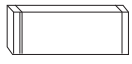

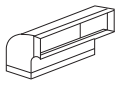
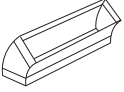
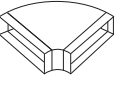
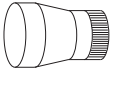
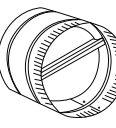
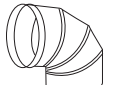

Quantity	Part
1	Power pack hood
1	Aluminum mesh filter
2	LumiLight LED, 6W (pre-installed)
1	Single blower motor (pre-installed)
1	Hardware package

**Parts Not Supplied**

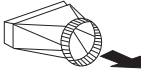
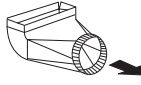
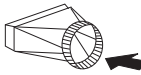
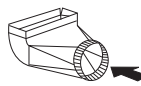
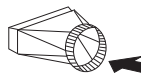
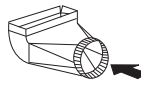
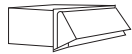
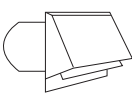

Ducting, conduit and all installation tools
Cable locking connector (if required by local codes)
Stainless steel liner
Recirculating kit (ZRC-8400A)

Installation Instructions

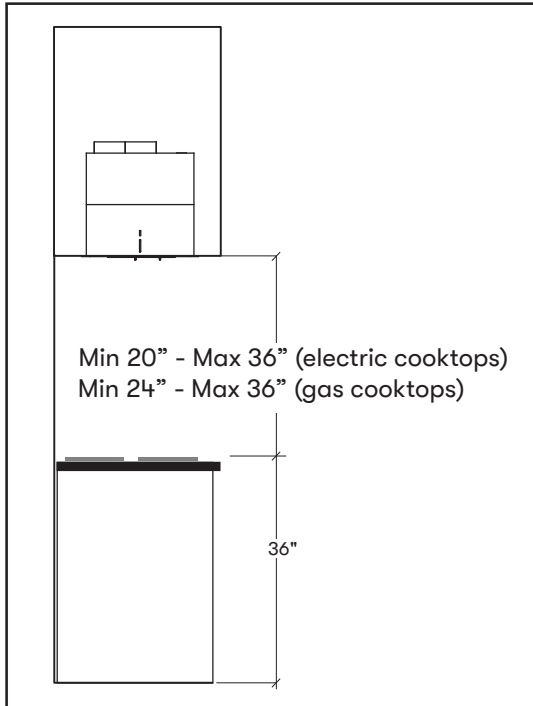
Ducting Calculation Sheet

Duct pieces		Equivalent number length x used =	Total
	3-1/4" x 10" Rect., straight	1 Ft. x () =	Ft.
	6", 7", 8", 10" Round, straight	1 Ft. x () =	Ft.
	3-1/4" x 10" Rect. 90° elbow	15 Ft. x () =	Ft.
	3-1/4" x 10" Rect. 45° elbow	9 Ft. x () =	Ft.
	3-1/4" x 10" Rect. 90° flatelbow	24 Ft. x () =	Ft.
	7" to 6" or 8" to 7" Round tapered reducer	25 Ft. x () =	Ft.
	6", 7", 8" Round in-line damper	15 Ft. x () =	Ft.
	6", 7", 8", 10" Round, 90° elbow	15 Ft. x () =	Ft.
	6", 7", 8", 10" Round, 45° elbow	9 Ft. x () =	Ft.
Subtotal column1 =			Ft.

Maximum Duct Length: For satisfactory air movement, the total duct length should not exceed 150 equivalent feet.

Duct pieces		Equivalent number length x used =	Total
	3-1/4" x 10" Rect. to 6" round transition	5 Ft. x () =	Ft.
	3-1/4" x 10" Rect. to 6" round transition 90° elbow	20 Ft. x () =	Ft.
	6" round to 3-1/4" x 10" rect. transition	1 Ft. x () =	Ft.
	6" round to 3-1/4" x 10" rect. transition 90° elbow	16 Ft. x () =	Ft.
	7" round to 3 1/4" x 10" rect. transition	8 Ft. x () =	Ft.
	7" round to 3-1/4" x 10" rect. transition 90° elbow	23 Ft. x () =	Ft.
	3-1/4" x 10" Rect. wall cap with damper	30 Ft. x () =	Ft.
	6", 7", 8", 10" Round, wall cap with damper	30 Ft. x () =	Ft.
	6", 7", 8", 10" Round roof cap	30 Ft. x () =	Ft.
Subtotal column2 =			Ft.
Subtotal column1 =			Ft.
Total ductwork =			Ft.

Mounting Height, Clearance, & Ducting



A minimum of 6" round or 3-1/4" x 10" rectangular duct must be used to maintain maximum air flow efficiency.

Always use rigid type metal ducts only. Flexible ducts could restrict air flow by up to 50%.

Also use the ducting calculation sheet (on page 8) to compute total available duct run when using elbows, transitions and caps.

ALWAYS, when possible, reduce the number of transitions and turns. If long duct run is required, increase duct size.

If turns or transitions are required; install as far away from hood duct output and as far apart, between the two as possible.

Minimum mount height between range top to hood bottom should be no less than 20" for electric cook tops and 24" for gas cook tops.

Maximum mount height should be no higher than 36".

It is important to install the hood at the proper mounting height. Hoods mounted too low could result in heat damage and fire hazard; while hoods mounted too high will be hard to reach and will lose its performance and efficiency.


If available, also refer range manufacturer's height clearance requirements and recommended hood mounting height above range. Always check your local codes for any differences.

For shipment and installation damages:


- ▶ Please fully inspect unit for damage before installation.
- ▶ If the unit is damaged in shipment, return the unit to the store in which it was bought for repair or replacement.
- ▶ If the unit is damaged by the customer, repair or replacement is the responsibility of the customer.
- ▶ If the unit is damaged by the installer (if other than the customer), repair or replacement must be made by arrangement between customer and installer.

Installation Instructions

Ducting Options

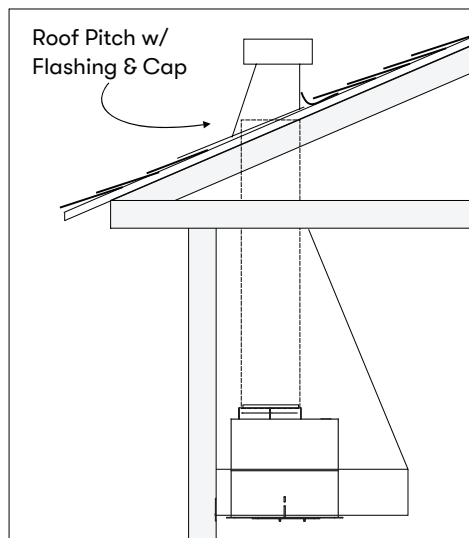
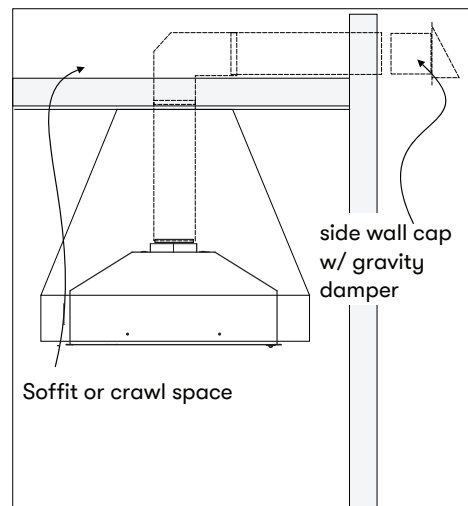
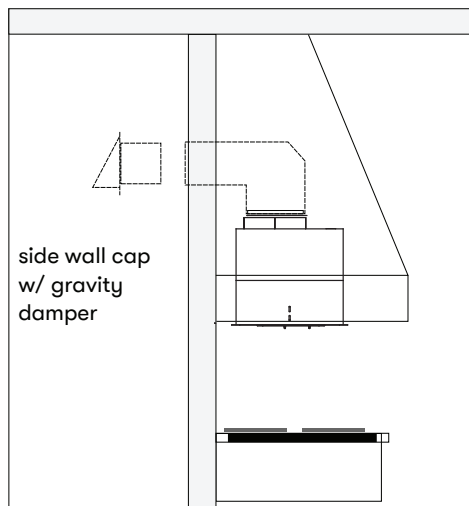


WARNING

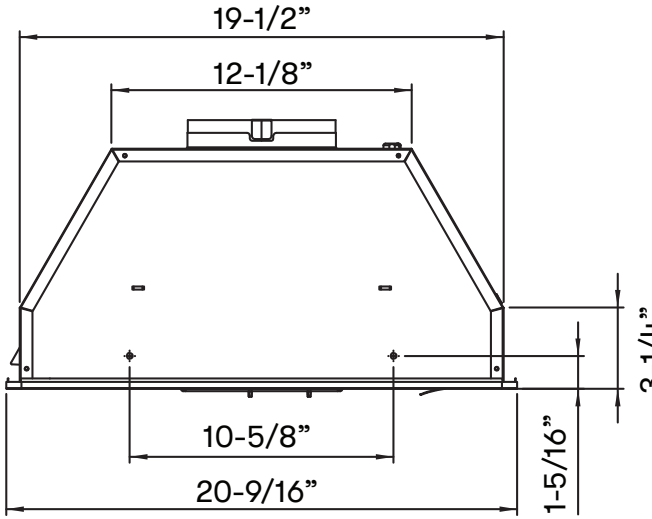


Fire Hazard: NEVER exhaust air or terminate ductwork into spaces between walls, crawl spaces, ceilings, attics, or garages. All exhaust must be ducted to the outside, unless using the recirculating option.

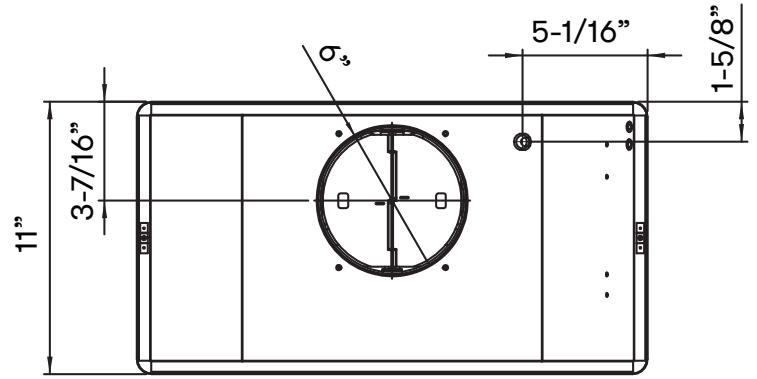
- ▶ Use single wall rigid metal ductwork only.
- ▶ Fasten all connections with sheet metal screws and tape all joints w/ certified Silver Tape or Duct Tape.



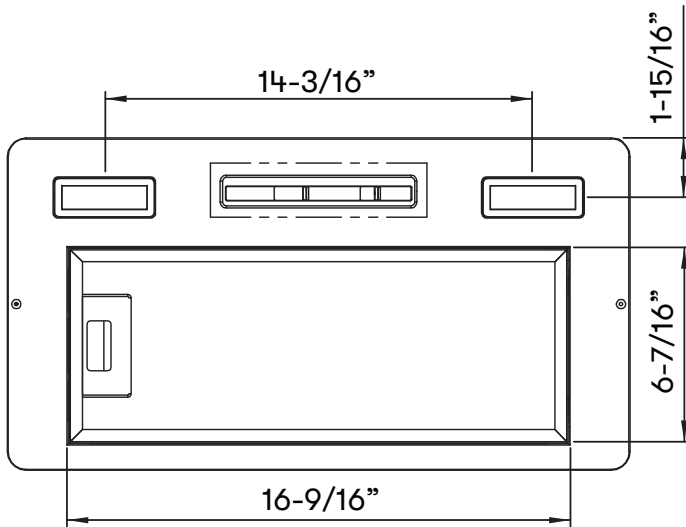
Hood Specifications



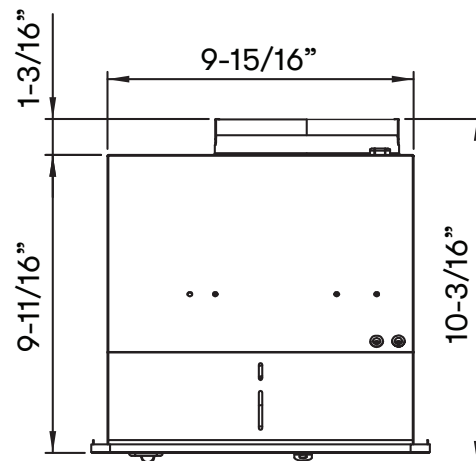
Front



Top



Bottom



Side

Installation Instructions

Electrical Supply



For personal safety, remove house fuse or open circuit breaker before beginning installation. Do not use extension cord or adapter plug with this appliance.

Follow national electrical codes or prevailing local codes and ordinances.

This appliance requires a 120V 60Hz electrical supply, and connected to an individual, properly grounded branch circuit, protected by a 15 or 20 ampere circuit breaker or time delay fuse. Wiring must be 2 wire w/ ground. Please also refer to the Electrical Diagram labeled on product.

Grounding

GROUNDING INSTRUCTIONS

This appliance must be grounded. In the event of an electrical short circuit, grounding reduces the risk of electric shock by providing an escape wire for the electric current. This appliance is equipped with a cord having a grounding wire with a grounding plug. The plug must be plugged into an outlet that is properly installed and grounded.

WARNING - Improper grounding can result in a risk of electric shock.

Consult a qualified electrician if the grounding instructions are not completely understood, or if doubt exists as to whether the appliance is properly grounded.

Do not use an extension cord. If the power supply cord is too short, have a qualified electrician install an outlet near the appliance.

Position the electrical outlet within the space covered by or above the decorative canopy housing as space permits and as to not interfere with the round duct. Make sure the outlet is no further than 28" from the top of the hood body.

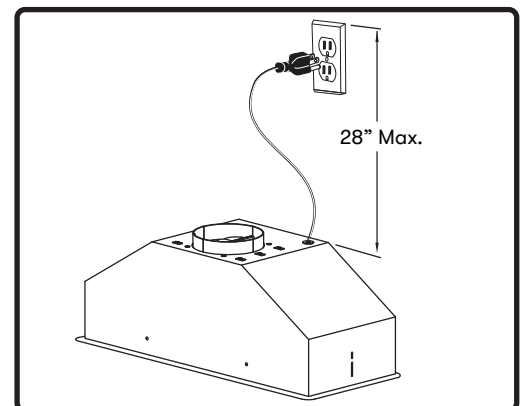


FIG. A

Mounting the Hood



1. Install optional AK084xAS Stainless Steel Liner. Review manual included with liner for more details.
2. If no liner is used, cut out an opening in bottom of the cabinet by following the dimensions in FIG. B.
3. Remove aluminum mesh filter.
4. Lift Power Pack into opening and ensure locking clip has locked into position. (Locking clip is located on left side of Power Pack. FIG. C.)
5. Fasten (2) #6 screws into the rear long side of Power Pack. If a liner is used, the screws will go through the Power Pack mounting holes, then the liner and the wood base. NOTE: Wood blocking may need to be added to cabinet base if additional support is needed. See FIG. D and FIG. E.
6. Remove 4 screws from Power Pack face plate. The face plate will drop down and hang by internal chains. Access to front long side of Power Pack is now available. Fasten (2) #6 screws into the front long side of Power Pack.
7. Re-install Power Pack face plate by (4) previously removed screws.
8. Install duct work and seal with duct tape and install electrical.
9. Remove all packing materials before using Power Pack. Switch power on and check for leaks around duct tape. Install aluminum mesh filter.

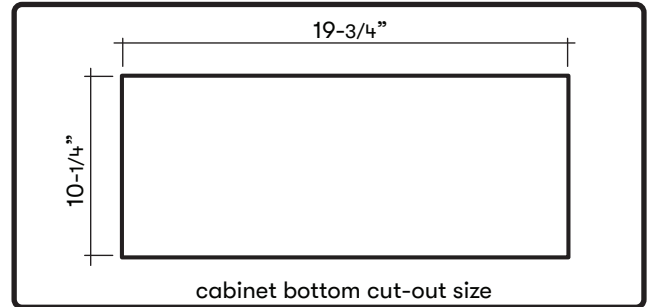


FIG. B

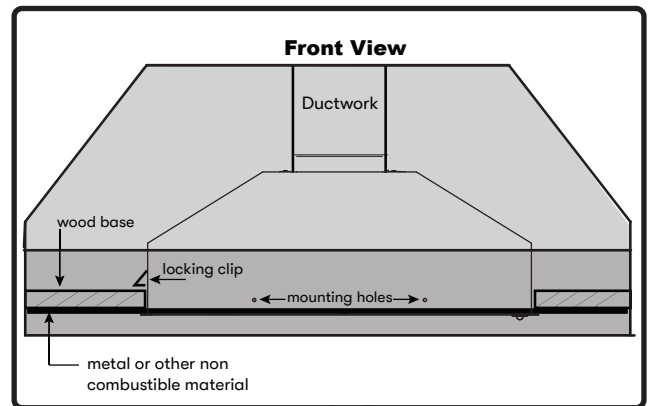


FIG. C

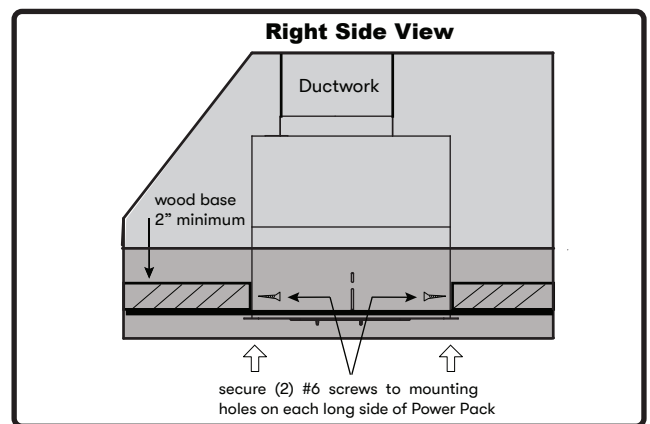


FIG. D

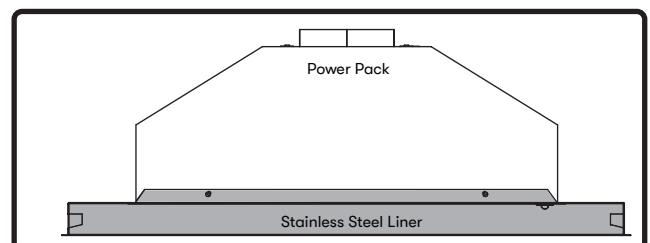


FIG. E

Installation Instructions

Ductless Recirculation

Ductless recirculation is intended for applications where an exhaust duct work is not possible to be installed. When converted, the hood functions as a recirculating hood rather than an exhaust hood. Fumes and exhaust from cooking are drawn and filtered by a set of optional charcoal filters. The air is then purified and re-circulated back within the home.

We recommend to ALWAYS exhaust air outside of the home by employing existing or installing new duct work, if possible. The hood is most effective and efficient as an exhaust hood. Only when the exhaust option is not possible should you recourse to converting the hood into a recirculating hood.

When converted to be a recirculating hood, a set of charcoal filters are required on top of its standard Metal Filter set. Order according to its part number below. The standard mesh filters are intended to capture residue from cooking, and the optional charcoal filters help to purify fumes exhausted from cooking for recirculation.

For detailed installation instructions, please refer to the manual included with the recirculating kit.

Recirculating Kit

Hood Model	Part Number	Quantity to Order
AK8400BS	ZRC-8400A	1
AK8400BS290	ZRC-8400A	1

Charcoal Filter Replacements

Hood Model	Part Number	Quantity to Order
AK8400BS	ZOF-C084	1
AK8400BS290	ZOF-C084	1

DO NOT WASH CHARCOAL FILTERS. Charcoal filters may need to be changed more often depending on cooking habits.

Installing Charcoal Filter (FIG. F):

1. Place charcoal filter on top of back side of aluminum mesh filter.
2. Secure charcoal filter by 4 C clips from ZRC-8400A recirculation kit, 2 C clips for each elongated side of charcoal filter.

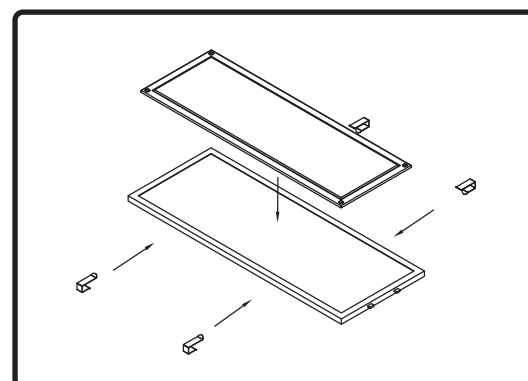


FIG. F

Slide Controls

❶ Blower On/Off Speed Selection

❷ Lights Off/Dim/Bright



❶ BLOWER ON/OFF/SPEED SELECTION

0 is off, I is low speed, II is medium speed and III is high speed.

❷ LIGHTS OFF/DIM/BRIGHT

0 is off, I is dim, and II is bright.

Maintenance

Hood & Filter Cleaning

Surface Maintenance

- ▶ Do not use corrosive detergents, abrasive detergents or oven cleaners.
- ▶ Do not use any product containing chlorine bleach or any product containing chloride.
- ▶ Do not use steel wool or abrasive scrubbing pads which will scratch and damage surface.

Cleaning Stainless Steel

Clean periodically with warm soapy water and clean cotton cloth or micro fiber cloth. Always rub in the direction of the stainless steel grain. To remove heavier grease build up use a liquid degreaser detergent.

After cleaning use a non-abrasive stainless steel polish/cleaners, to polish and buff out the stainless luster and grain. Always scrub lightly, with clean cotton cloth or micro fiber cloth and buff in the direction of the stainless steel grain.

Aluminum Mesh Filters

The aluminum mesh filters installed by the factory are intended to filter out residue and grease from cooking. They need not be replaced on a regular basis but are required to be kept clean.

Remove and clean by hand or in dishwasher using a non-phosphate detergent. Discoloration of the filter may occur if using phosphate detergents, or as a result of local water conditions - but this will not affect filter performance. This discoloration is not covered by the warranty. Spray degreasing detergent and leave to soak if heavily soiled.

Dry filters and re-install before using hood.

Installing Aluminum Mesh Filters (FIG. G):

1. Place back of filter into channel on left side of Power Pack.
2. Pull filter handle towards left side of Power Pack.
3. Pivot filter up and lock into place.

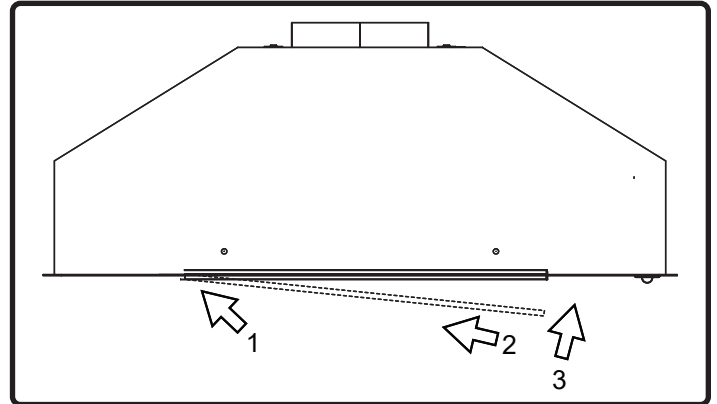


FIG. G

Replacing Aluminum Mesh Filters

Hood Model	Part Number	Qty. to Order
AK8400BS	50200054	1
AK8400BS290	50200054	1

To order parts, visit us online at <http://store.zephyronline.com>.

LumiLight LED

In the unlikely event that your LumiLight LED fails, please contact Zephyr to order replacement parts. See the list of parts and accessories page for part numbers and contact information.

LED Removal (FIG. H):

1. Remove aluminum mesh filter.
2. Remove bottom panel by two screws.
3. Disconnect LED light quick connector.
4. Push in the two side clips on the ends of the LED light.
5. Push LED light through the light panel opening.

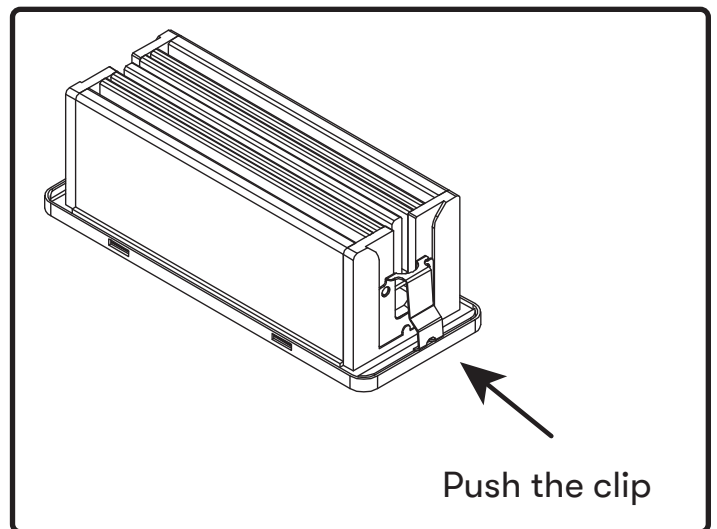
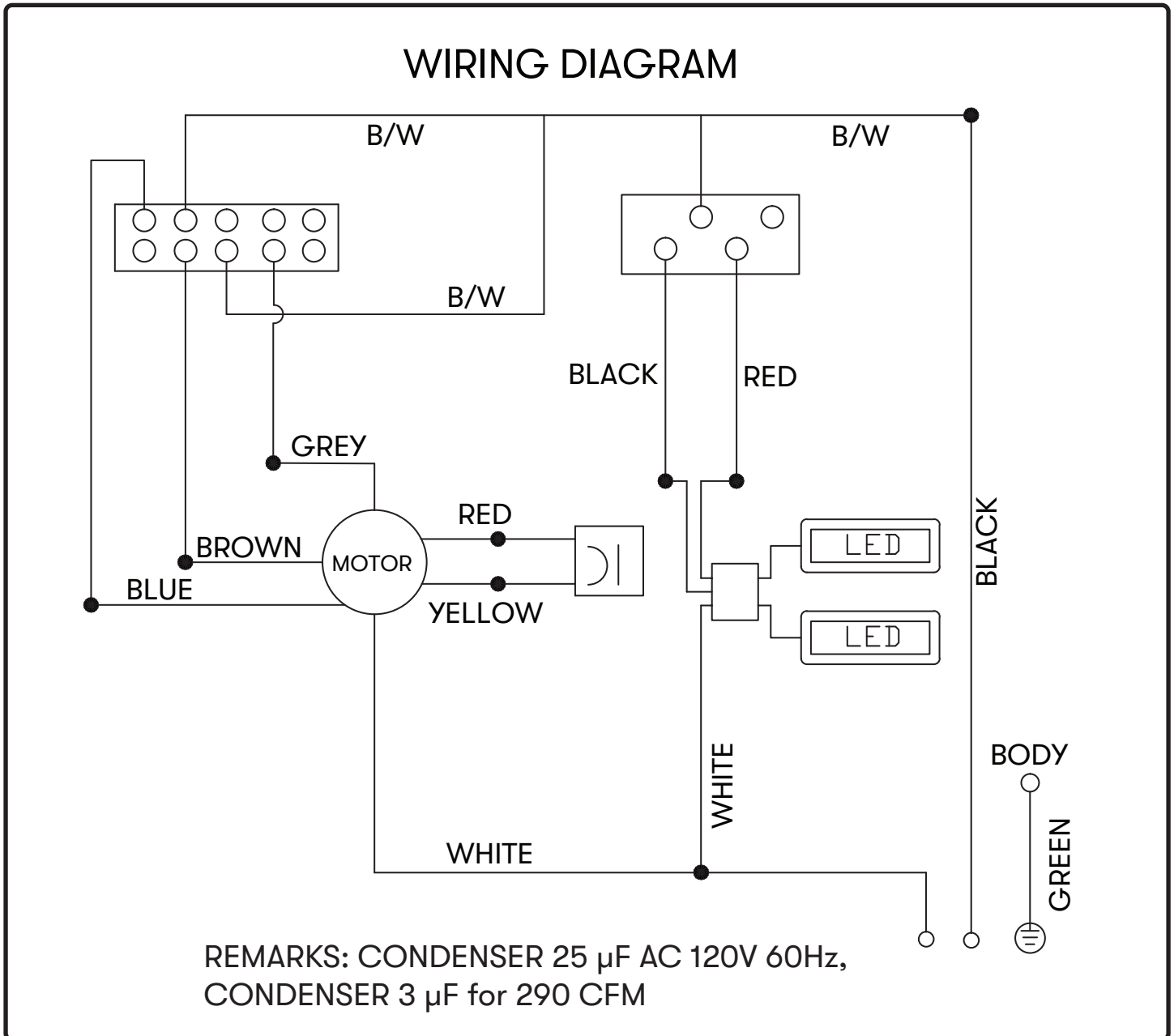


FIG. H

Wiring Diagram



Possible Problem	Possible Cause	Solutions
After installation, the unit doesn't work.	The power source is not turned ON.	Make sure the circuit breaker and the unit's power is ON.
	The power line and the cable locking connector is not connecting properly.	Check the power connection with the unit is connected properly.
	The switch board or control board wirings are disconnected.	Make sure the wirings at the switch board and control board are connected properly.
	The switch board or control board is defective.	Change the switch board or control board.
	The wires on control board are loose.	Make sure the wires on the control board are connected properly.
Light works, but blower is not turning.	The thermally protected system detects if the blower is too hot to operate and shuts the blower down.	The blower will function properly after the thermally protected system cool down.
	Damaged capacitor.	Change the capacitor.
	The blower is defective, possibly seized.	Change the blower.
The unit is vibrating.	The blower is not secured in place.	Tighten the blower in place.
	Damaged blower wheel.	Replace the blower.
	The hood is not secured in place.	Check the installation of the hood.
The unit is whistling.	A filter is not in the correct position.	Adjust the filters until the whistling stops.
	The duct pipe connections are not sealed or connected properly.	Check the duct pipe connections to be sure all connections are sealed properly.
The blower is working, but the LumiLight LEDs are not.	The LumiLight LED connector is disconnected.	Connect the LumiLight LED connector.
	Defective LumiLight LED.	Change the LumiLight LED.
	The switch board or control board is defective.	Change the switch board or control board.
LumiLight LEDs flicker when changing speed levels.	N/A	This is a normal operation and the hood is working correctly.

Troubleshooting

Possible Problem	Possible Cause	Solutions
The hood is not venting out properly.	Using the wrong size of ducting.	Change the ducting to the correct size.
	The hood might be hanging too high from the cook top.	Adjust the distance between the cook top and the bottom of the hood within 20" (electric cook tops) or 24" (gas cook tops) and 36" range.
	The wind from the opened windows or opened doors in the surrounding area are affecting the ventilation of the hood.	Close all the windows and doors to eliminate the outside wind flow.
	Blockage in the duct opening or ductwork.	Remove all the blocking from the duct work or duct opening.
Filter is vibrating.	Filter is loose.	Adjust or change the filter.
	Spring clip is broken on the filter.	Change the spring clip.

Description	Part Number
Replacement Parts	
LumiLight LED, 6W	ZOB0049
Aluminum Mesh Filter	50200054
Optional Accessories	
Recirculating Kit	ZRC-8400A
Replacement Charcoal Filter	ZOF-C084
Liner, 30"	AK0840AS
Liner, 36"	AK0846AS

To order parts, visit us online at <http://store.zephyronline.com>.

Notes

**TO OBTAIN SERVICE UNDER WARRANTY OR FOR ANY SERVICE RELATED QUESTIONS, please call:
1-888-880-8368**

Zephyr Ventilation, LLC (referred to herein as “we” or “us”) warrants to the original consumer purchaser (referred to herein as “you” or “your”) of Zephyr products (the “Products”) that such Products will be free from defects in materials or workmanship as follows:

Three Year Limited Warranty for Parts: For three years from the date of your original purchase of the Products, we will provide, free of charge, Products or parts (including LED light bulbs, if applicable) to replace those that failed due to manufacturing defects subject to the exclusions and limitations below. We may choose, in our sole discretion, to repair or replace parts before we elect to replace the Products.

One Year Limited Warranty for Labor: For one year from the date of your original purchase of the Products, we will provide, free of charge, the labor cost associated with repairing the Products or parts to replace those that failed due to manufacturing defects subject to the exclusions and limitations below. After the first year from the date of your original purchase, you are responsible for all labor costs associated with this warranty.

Warranty Exclusions: This warranty covers only repair or replacement, at our option, of defective Products or parts and does not cover any other costs related to the Products including but not limited to: (a) normal maintenance and service required for the Products and consumable parts such as fluorescent, incandescent or halogen light bulbs, mesh and charcoal filters and fuses; (b) any Products or parts which have been subject to freight damage, misuse, negligence, accident, faulty installation or installation contrary to recommended installation instructions, improper maintenance or repair (other than by us); (c) commercial or government use of the Products or use otherwise inconsistent with its intended purpose; (d) natural wear of the finish of the Products or wear caused by improper maintenance, use of corrosive and abrasive cleaning products, pads, and oven cleaner products; (e) chips, dents or cracks caused by abuse or misuse of the Products; (f) service trips to your home to teach you how to use the Products; (g) damage to the Products caused by accident, fire, floods, acts of God; or (h) Custom installations or alterations that impact serviceability of the Products. If you are outside our service area, additional charges may apply for shipping costs for warranty repair at our designated service locations and for the travel cost to have a service technician come to your home to repair, remove or reinstall the Products. After the first year from the date of your original purchase, you are also responsible for all labor costs associated with this warranty. All Products must be installed by a qualified professional installer to be eligible for warranty repairs or service.

Limitations of Warranty. OUR OBLIGATION TO REPAIR OR REPLACE, AT OUR OPTION, SHALL BE YOUR SOLE AND EXCLUSIVE REMEDY UNDER THIS WARRANTY. WE SHALL NOT BE LIABLE FOR INCIDENTAL, CONSEQUENTIAL OR SPECIAL DAMAGES ARISING OUT OF OR IN CONNECTION WITH THE USE OR PERFORMANCE OF THE PRODUCTS. THE EXPRESS WARRANTIES IN THE PRECEDING SECTION ARE EXCLUSIVE AND IN LIEU OF ALL OTHER EXPRESS WARRANTIES. WE HEREBY DISCLAIM AND EXCLUDE ALL OTHER EXPRESS WARRANTIES FOR THE PRODUCTS, AND DISCLAIM AND EXCLUDE ALL WARRANTIES IMPLIED BY LAW, INCLUDING THOSE OF MERCHANTABILITY AND FITNESS FOR A PARTICULAR PURPOSE.

Some states or provinces do not allow limitations on the duration of an implied warranty or the exclusion or limitation of incidental or consequential damages, so the above limitations or exclusions may not apply to you. To the extent that applicable law prohibits the exclusion of implied warranties, the duration of any applicable implied warranty is limited to the same three-year and one-year periods described above if permitted by applicable law. Any oral or written description of the Products is for the sole purpose of identifying the Products and shall not be construed as an express warranty. Prior to using, implementing or permitting use of the Products, you shall determine the suitability of the Products for the intended use, and you shall assume all risk and liability whatsoever in connection with such determination. We reserve the right to use functionally equivalent refurbished or reconditioned parts or Products as warranty replacements or as part of warranty service. This warranty is not transferable from the original purchaser and only applies to the consumer residence where the Product was originally installed located in the United States and Canada. This warranty is not extended to resellers.

To Obtain Service Under Limited Warranty: To qualify for warranty service, you must: (a) notify us at the address or telephone number stated below within 60 days of the discovery of the defect; (b) give the model number and serial number; and (c) describe the nature of any defect in the Product or part. At the time of the request for warranty service, you must present evidence of your proof of purchase and proof of the original purchase date. If we determine that the warranty exclusions listed above apply or if you fail to provide the necessary documentation to obtain service, you will be responsible for all shipping, travel, labor and other costs related to the services. This warranty is not extended or restarted upon warranty repair or replacements.

Please check our website for any additional Product information, www.zephyronline.com.

Zephyr Ventilation Service Department, 2277 Harbor Bay Parkway, Alameda, CA 94502 1-888-880-8368

MAY20.0401

Product Registration

Congratulations on the purchase of your Zephyr product! Please take a moment to register your new Zephyr product at www.zephyronline.com/registration

IT'S IMPORTANT

Prompt registration helps in more ways than one.

- Ensures warranty coverage should you need service.
- Ownership verification for insurance purposes.
- Notification of product changes or recalls.



Zephyr Ventilation | 2277 Harbor Bay Pkwy. | Alameda, CA 94502 | 1.888.880.8368

ZEPHYR

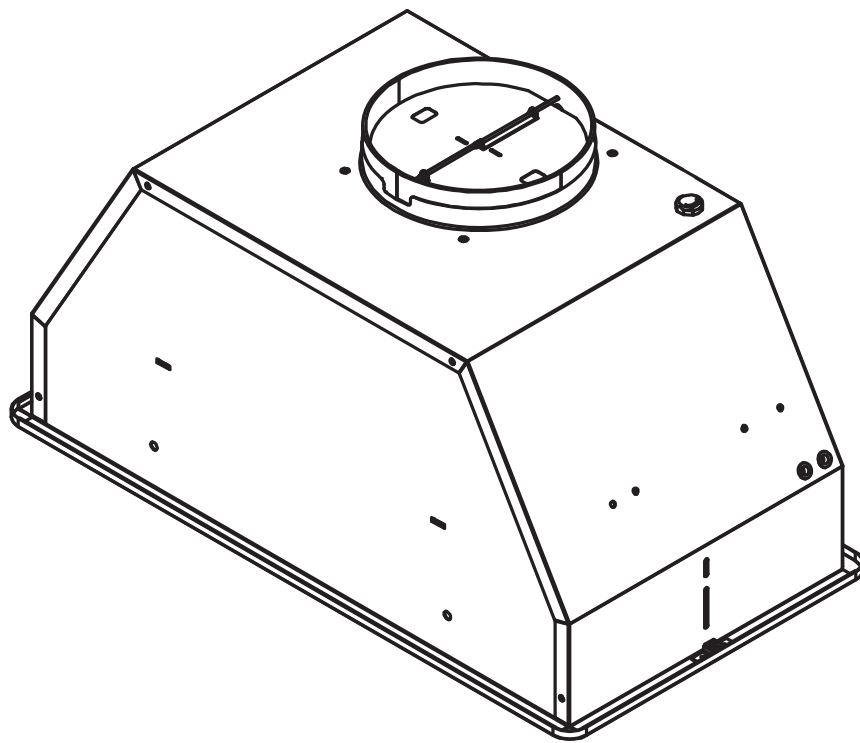
WWW.ZEPHYRONLINE.COM

Tornado Mini

AK8400BS, AK8400BS290

EN Use, Care, and Installation Guide

FR Guide d'utilisation, d'entretien et d'installation



	Page
Consignes de sécurité	4-6
Types d'avertissements de sécurité	4
Sécurité générale.....	4-5
Opération	6
Exigences électriques	6
Liste de matériel	7
Instructions d'installation	8-14
Feuille de calcul pour le conduit d'aération.....	8
Hauteur de montage, dégagement et gaine	9
Options de conduits	10
Spécifications de la hotte	11
Fourniture électrique	12
Mise à la terre.....	12
Montage de la hotte	13
Recirculation sans conduit.....	14
Fonctionnalités et commandes	15
Commandes à glissière	15
Entretien	16-17
Nettoyage de la hotte et du filtre.....	16-17
LumiLight LED	17
Schéma de câblage	18
Dépannage	19-20
Liste des pièces et accessoires	21
Remarques	22
Garantie limitée	23
Enregistrement du produit	24

Consignes de sécurité

TORNADO MINI

INSÉRER

LISEZ ET CONSERVEZ CES INSTRUCTIONS

Votre sécurité et celle des gens qui vous entourent sont très importantes.

Ce manuel contient de nombreux messages de sécurité relatifs à votre appareil. Lisez tous les messages et conformez-vous-y en tout temps.



Voici le symbole d'alerte à la sécurité. Ce symbole vous informe de possibles dangers qui pourraient entraîner de graves lésions corporelles ou la mort. Tous les messages de sécurité suivent le symbole d'alerte à la sécurité et comportent les mots « **DANGER** », « **AVERTISSEMENT** » ou « **ATTENTION** ».

DANGER

Le mot « danger » signifie que le fait de ne pas tenir compte de l'énoncé de sécurité peut entraîner une blessure grave ou la mort.

AVERTISSEMENT

Le mot « avertissement » signifie que le fait de ne pas tenir compte de l'énoncé de sécurité peut entraîner des dommages importants au produit, une lésion corporelle grave ou la mort.

ATTENTION

Le mot « attention » signifie que le fait de ne pas tenir compte de l'énoncé de sécurité peut entraîner une lésion corporelle mineure ou modérée, ou encore des dommages au produit ou à la propriété.

Sécurité générale

ATTENTION

Pour réduire le risque d'incendie ou de choc électrique, n'utilisez pas ce ventilateur avec un dispositif de commande à semi-conducteurs.

AVERTISSEMENT

AVERTISSEMENT - POUR RÉDUIRE LES RISQUES D'INCENDIE, DE CHOC ÉLECTRIQUE OU DE BLESSURES AUX PERSONNES, RESPECTEZ LES SUIVANTS:

- N'utilisez cet appareil que de la manière prévue par le fabricant. Si vous avez des questions, contactez le fabricant.
- Avant l'entretien ou le nettoyage de l'unité, coupez l'alimentation au panneau de service et verrouillez les moyens de déconnexion de service pour éviter toute mise sous tension accidentelle. Lorsque le moyen de déconnexion de service ne peut pas être verrouillé, fixez solidement un dispositif d'avertissement bien visible, tel qu'une étiquette, au panneau de service.

ATTENTION

Pour Une Ventilation Générale Uniquement. Ne Pas Utiliser Pour Évacuer Des Matières Et Des Vapeurs Dangereuses Ou Explosives. Soyez prudent lorsque vous utilisez des produits de nettoyage pour détergents. Convient pour une utilisation dans la zone de cuisson domestique.

AVERTISSEMENT

AVERTISSEMENT - POUR RÉDUIRE LE RISQUE D'INCENDIE DE GRAISSE SUR LE HAUT DE CUISINIÈRE:

- Ne laissez jamais les unités de surface sans surveillance à des réglages élevés. Les débordements provoquent de la fumée et des débordements graisseux qui peuvent s'enflammer. Chauffer les huiles lentement à des réglages faibles ou moyens.
- Allumez toujours la hotte lorsque vous cuisinez à feu vif ou lorsque vous flambez des aliments. (c'est-à-dire Crêpes Suzette, Cerises Jubilee, Boeuf au Poivre Flambé »).
- Nettoyez fréquemment les ventilateurs de ventilation. La graisse ne doit pas s'accumuler sur le ventilateur ou le filtre.
- Utilisez une taille de casserole appropriée. Utilisez toujours des ustensiles de cuisine adaptés à la taille de l'élément de surface.

LISEZ ET CONSERVEZ CES INSTRUCTIONS



AVERTISSEMENT - POUR RÉDUIRE LE RISQUE DE BLESSURE DES PERSONNES EN CAS D'INCENDIE DE GRAISSE SUR LE HAUT DE LA CUISINIÈRE, RESPECTEZ CE QUI SUIT^o:

- a) DES FLAMMES PLUS INTELLIGENTES avec un couvercle bien ajusté, une plaque à biscuits ou un plateau en métal, puis éteignez le brûleur. FAITES ATTENTION À ÉVITER LES BRÛLURES. Si les flammes ne s'éteignent pas immédiatement, ÉVACUER ET APPELER LE DÉPARTEMENT DES INCENDIES.
- b) NE JAMAIS RAMASSER UNE PLAQUE ENFLAMME - Vous pourriez être brûlé.
- c) N'UTILISEZ PAS D'EAU, ni de torchons ou de serviettes humides - une violente explosion de vapeur en résultera.
- d) Utilisez un extincteur UNIQUEMENT si:
 - 1) Vous savez que vous possédez un extincteur de classe ABC et vous savez déjà comment l'utiliser.
 - 2) Le feu est petit et contenu dans la zone où il a commencé.
 - 3) Le service d'incendie est appelé.
 - 4) Vous pouvez combattre le feu dos à une sortie

^oBasé sur "Kitchen Firesafety Tips" publié par la NFPA.



AVERTISSEMENT
POUR RÉDUIRE LES RISQUES D'INCENDIE, UTILISEZ
UNIQUEMENT DES CONDUITS MÉTALLIQUES.



Pour réduire les risques d'incendie et pour évacuer correctement l'air extérieur, ne pas évacuer l'air évacué dans les espaces à l'intérieur des murs, plafonds, greniers, vides sanitaires ou garages.



AVERTISSEMENT - POUR RÉDUIRE LES RISQUES D'INCENDIE, DE DÉCHARGE ÉLECTRIQUE OU DE BLESSURES AUX PERSONNES, RESPECTEZ CE QUI SUIT:

- a) Les travaux d'installation et le câblage électrique doivent être effectués par des personnes qualifiées conformément à tous les codes et normes applicables, y compris la construction résistant au feu.
- b) Une quantité d'air suffisante est nécessaire pour une combustion et une évacuation correctes des gaz par le conduit de fumée (cheminée) de l'équipement à combustible pour empêcher le refoulement. Suivez les directives et les normes de sécurité du fabricant de l'équipement de chauffage, telles que celles publiées par la National Fire Protection Association (NFPA), l'American Society for Heating, Refrigeration and Air Conditioning Engineers (ASHRAE) et les autorités locales du code.
- c) Lorsque vous coupez ou percez dans un mur ou un plafond, n'endommagez pas le câblage électrique et les autres services publics cachés.
- d) Les ventilateurs à conduit doivent toujours être ventilés vers l'extérieur.
- e) Si cet appareil doit être installé au-dessus d'une baignoire ou d'une douche, il doit être marqué comme approprié pour l'application et être connecté à un circuit de dérivation protégé par un disjoncteur de fuite à la terre (GFCI).



Prop. 65 Avertissement pour les résidents de Californie: Ce produit peut contenir des produits chimiques reconnus par l'État de Californie comme pouvant provoquer le cancer, des malformations congénitales ou d'autres troubles de la reproduction.

Consignes de sécurité

LISEZ ET CONSERVEZ CES INSTRUCTIONS

Opération

- ▶ Laissez toujours les grilles de sécurité et les filtres en place. Sans ces composants, les soufflantes en fonctionnement pourraient s'accrocher aux cheveux, aux doigts et aux vêtements amples.
- ▶ Le fabricant décline toute responsabilité en cas de non-respect des instructions données ici pour l'installation, la maintenance et l'utilisation appropriée du produit. Le fabricant décline en outre toute responsabilité en cas de blessure due à une négligence et la garantie de l'unité expire automatiquement en raison d'un mauvais entretien.

REMARQUE: veuillez consulter www.zephyronline.com pour les révisions avant d'effectuer tout travail personnalisé.

Exigences électriques

Important:

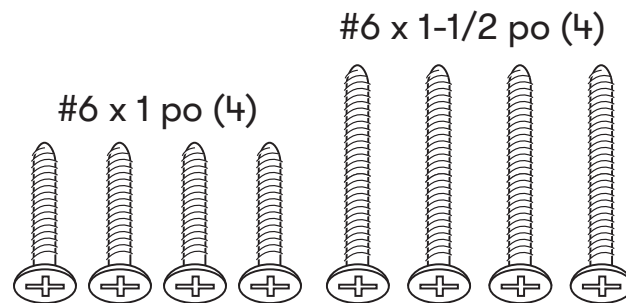
- ▶ Respectez tous les codes et ordonnances en vigueur.
- ▶ Il est de la responsabilité du client d'en prendre connaissance ci-dessous:
- ▶ Pour contacter un installateur électrique qualifié.
- ▶ Pour garantir que l'installation électrique est adéquate et conforme au National Electrical Code, ANSI / NFPA 70 dernière édition * ou aux normes CSA C22.1-94, Code canadien de l'électricité, partie 1 et C22.2 No.0-M91 - dernière édition ** et tous les codes et ordonnances locaux.
- ▶ Si les codes le permettent et qu'un fil de terre séparé est utilisé, il est recommandé qu'un électricien qualifié détermine que le chemin de terre est adéquat.
- ▶ Ne pas mettre à la terre un tuyau de gaz.
- ▶ Vérifiez auprès d'un électricien qualifié si vous n'êtes pas sûr que la hotte est correctement mise à la terre.
- ▶ Ne pas avoir de fusible dans le circuit neutre ou de terre.
- ▶ Cet appareil nécessite une alimentation électrique de 120 V à 60 Hz et est connecté à un circuit de dérivation individuel correctement mis à la terre protégé par un disjoncteur de 15 ou 20 ampères ou un fusible temporisé. Le câblage doit être à 2 fils avec mise à la terre. Veuillez également vous référer au schéma électrique du produit.
- ▶ Un connecteur de verrouillage de câble (non fourni) peut également être requis par les codes locaux. Vérifiez les exigences locales, achetez et installez le connecteur approprié si nécessaire.

* National Fire Protection Association Batterymarch Park, Quincy, Massachusetts 02269

** CSA International 8501 East Pleasant Valley Road, Cleveland, Ohio 44131-5575

Pièces fournies

Quantité	Partie
1	Capot du bloc d'alimentation
1	Filtre à mailles en aluminium
2	LumiLight LED, 6W (pré-installé)
1	Moteur de soufflante simple (préinstallé)
1	Pack matériel

**Pièces non fournies**

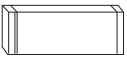

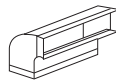
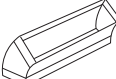

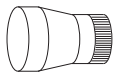
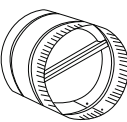
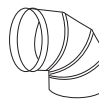
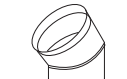
Conduits, conduits et tous les outils d'installation
Raccord de câble (si requis par les codes locaux)
Doublure en acier inoxydable
Kit de recirculation (ZRC-8400A)

Instructions d'installation

TORNADO MINI

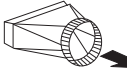
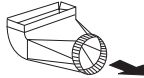
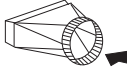
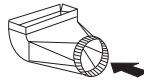
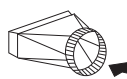
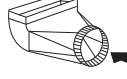
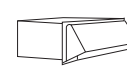
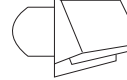

INSÉRER

Feuille de calcul pour le conduit d'aération

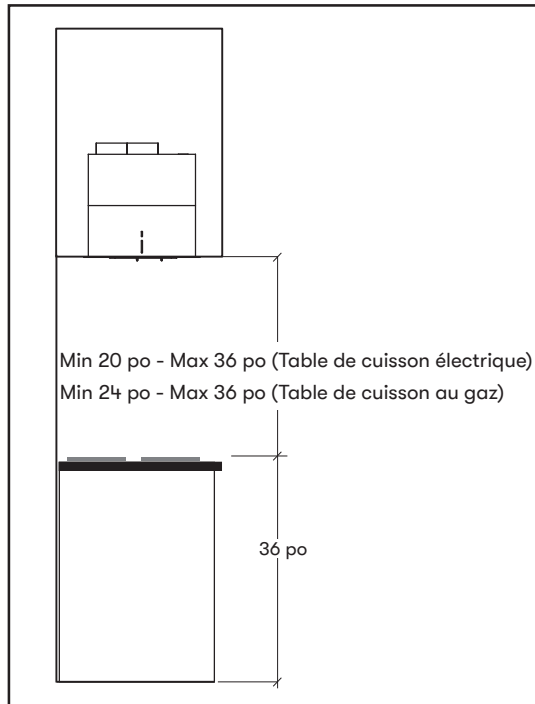
Pièces de conduit		Longueur x	Nombre utilisé	=	Total
	3-1/4" x 10" rect., droit	1 pi	x () =		pi
	6", 7", 8", 10" circ., droit	1 pi	x () =		pi
	3-1/4" x 10" rect., coude à 90°	15 pi	x () =		pi
	3-1/4" x 10" rect., coude à 45°	9 pi	x () =		pi
	3-1/4" x 10" rect., coude plat à 90°	24 pi	x () =		pi
	7" to 6" or 8" to 7" circ. reducteur conique	25 pi	x () =		pi
	6", 7", 8" circ. bouchone de l'air	15 pi	x () =		pi
	6", 7", 8", 10" circ., coude à 90°	15 pi	x () =		pi
	6", 7", 8", 10" coude à 45°	9 pi	x () =		pi
Sous-total - colonne 1 =					pi

Longueur maximale du conduit d'aération :

Pour un mouvement d'air convenable, la longueur totale d'un conduit d'aération ne devrait pas compter plus que l'équivalent de 150 pieds.

Pièces de conduit		Longueur x	Nombre utilisé	=	Total
	6" circ. à rect. de 3-1/4" x 10"	5 pi	x () =		pi
	6" circ. à rect. de 3-1/4" x 10", coude à 90°	20 pi	x () =		pi
	6" circ. à rect. de 3-1/4" x 10"	1 pi	x () =		pi
	6" circ. à rect. de 3-1/4" x 10", coude à 90°	16 pi	x () =		pi
	7" circ. à rect. de 3-1/4" x 10"	8 pi	x () =		pi
	7" circ. à rect. de 3-1/4" x 10", coude à 90°	23 pi	x () =		pi
	3-1/4" x 10" embout mural rect./registre	30 pi	x () =		pi
	6", 7", 8", 10" embout mural circ./registre	30 pi	x () =		pi
	6", 7", 8", 10" chapeau de toiture circ.	30 pi	x () =		pi
Sous-total - colonne 2 =					pi
Sous-total - colonne 1 =					pi
Total du conduit =					pi

Hauteur de montage, dégagement et gaine



Un conduit d'au moins 6 po rond ou 3-1/4 po x 10 po rectangulaire doit être utilisé pour maintenir une efficacité maximale du flux d'air.

Utilisez toujours uniquement des conduits métalliques de type rigide. Les conduits flexibles peuvent restreindre le débit d'air jusqu'à 50%.

Utilisez également la feuille de calcul des gaines (à la page 8) pour calculer la longueur totale des gaines disponibles lorsque vous utilisez des coudes, des transitions et des capuchons.

TOUJOURS, lorsque cela est possible, réduire le nombre de transitions et de virages. Si un long trajet de conduit est requis, augmentez la taille du conduit.

Si des virages ou des transitions sont nécessaires; installer aussi loin que possible de la sortie du conduit de la hotte et aussi loin que possible entre les deux.

La hauteur minimale de montage entre le haut de la cuisinière et le bas de la hotte ne doit pas être inférieure à 20 po pour les tables de cuisson électriques et 24 po pour les tables de cuisson au gaz.

Il est important d'installer la hotte à la bonne hauteur de montage. Les hottes montées trop bas peuvent entraîner des dommages causés par la chaleur et un risque d'incendie; tandis que les hottes montées trop haut seront difficiles à atteindre et perdront leurs performances et leur efficacité.


Si disponible, reportez-vous également aux exigences de dégagement en hauteur du fabricant de la cuisinière et à la hauteur de montage recommandée de la hotte au-dessus de la cuisinière. Vérifiez toujours vos codes locaux pour toute différence.

Pour les dommages liés à l'expédition et à l'installation:


- ▶ Veuillez inspecter complètement l'unité pour déceler tout dommage avant l'installation. Si l'appareil est endommagé lors de l'expédition, renvoyez-le au magasin où il a été acheté pour réparation ou remplacement.
- ▶ Si l'appareil est endommagé par le client, la réparation ou le remplacement est à la charge du client.
- ▶ Si l'unité est endommagée par l'installateur (si autre que le client), la réparation ou le remplacement doit être effectuée par arrangement entre le client et l'installateur.

Instructions d'installation

Options de conduits

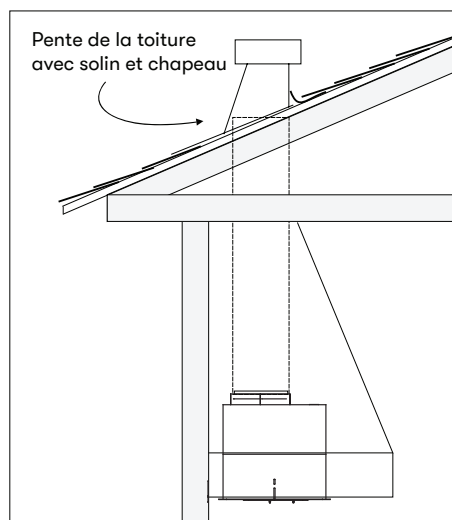
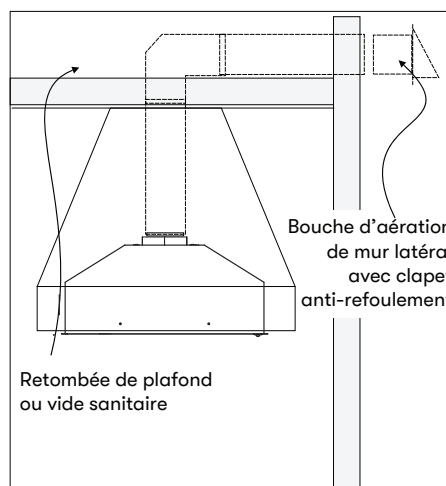
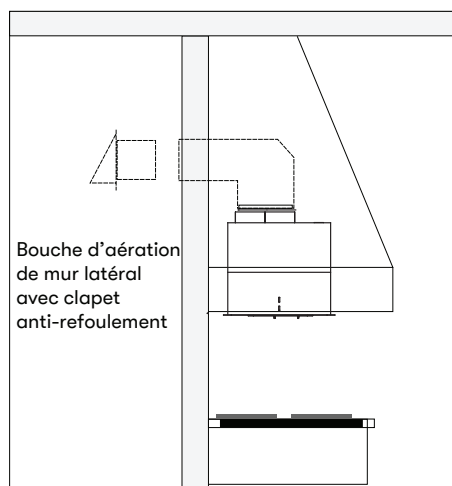


ATTENTION

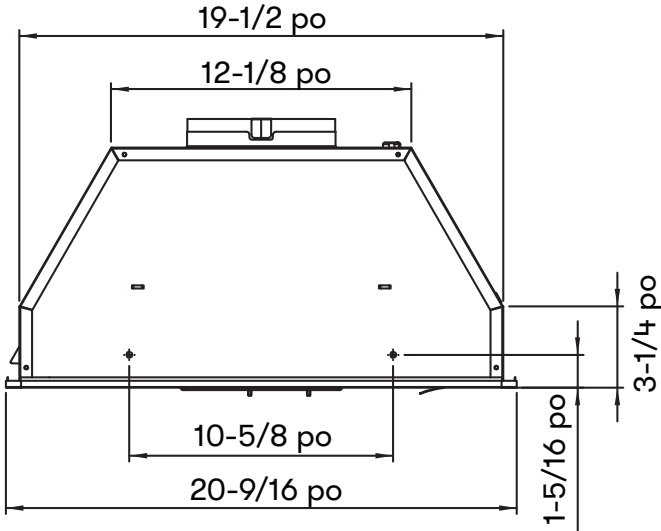


Risque d'incendie: NE JAMAIS évacuer l'air ni terminer de conduits dans des espaces entre les murs, les vides sanitaires, les plafonds, les greniers ou les garages. Tout l'échappement doit être canalisé vers l'extérieur, à moins d'utiliser l'option de recirculation.

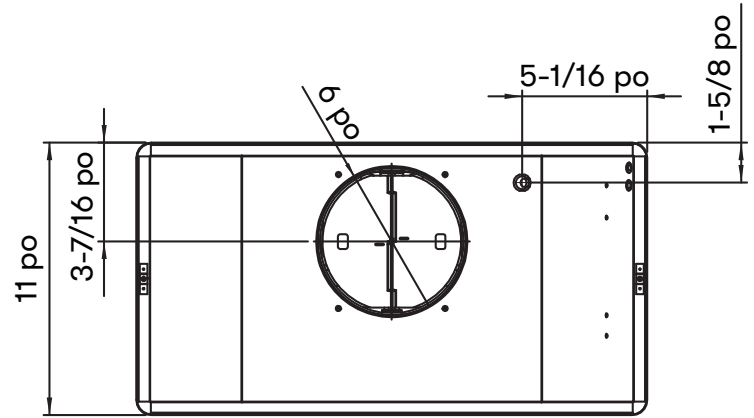
- ▶ Utilisez uniquement des conduits métalliques rigides à paroi simple.
- ▶ Fixez toutes les connexions avec des vis à tôle et collez tous les joints avec du ruban argenté ou du ruban adhésif.



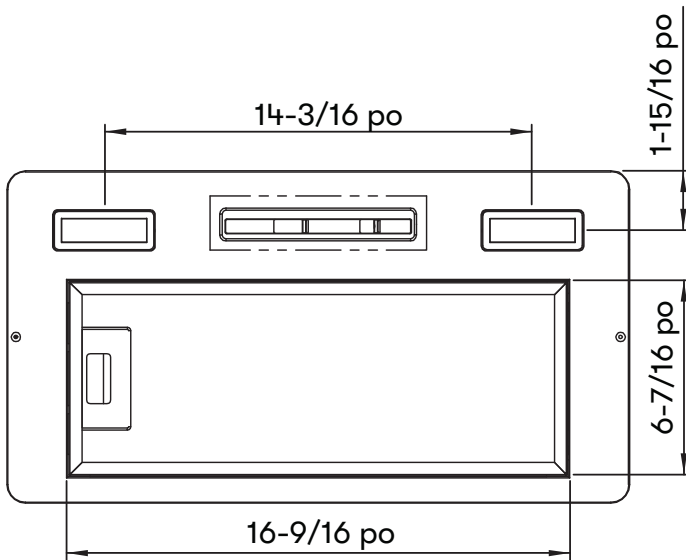
Spécifications de la hotte



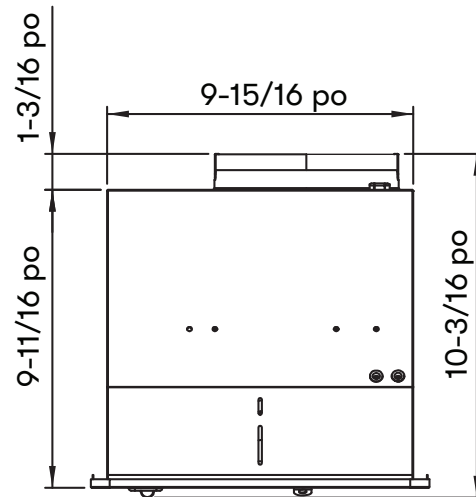
De face



Haut



Bas



Côté

Instructions d'installation

Fourniture électrique



ATTENTION



Le câblage électrique doit être effectué par des personnes qualifiées conformément à tous les codes et normes applicables.
 Cette hotte doit être correctement mise à la terre. Coupez l'alimentation électrique à l'entrée de service avant le câblage.

Pour votre sécurité personnelle, retirez le fusible de la maison ou ouvrez le disjoncteur avant de commencer l'installation. N'utilisez pas de rallonge ni de fiche d'adaptateur avec cet appareil.

Suivez les codes électriques nationaux ou les codes et règlements locaux en vigueur.

Cet appareil nécessite une alimentation électrique de 120 V 60 Hz et est connecté à un circuit de dérivation individuel correctement mis à la terre, protégé par un disjoncteur de 15 ou 20 ampères ou un fusible temporisé. Le câblage doit être à 2 fils avec terre. Veuillez également vous référer au schéma électrique étiqueté sur le produit.

Mise à la terre

CONSIGNES DE MISE À LA TERRE

Cet appareil doit être mis à la terre. En cas de court-circuit, le fil de mise à la terre limite le risqué de choc électrique parce qu'il assure le retour du courant à la terre. L'appareil est livré avec un cordon muni d'un fil de terre et d'une fiche de mise à la terre, qui doit être branchée sur une prise mise à la terre correctement installée.

AVERTISSEMENT – Une mise à la terre incorrecte peut entraîner des risques de choc électrique.

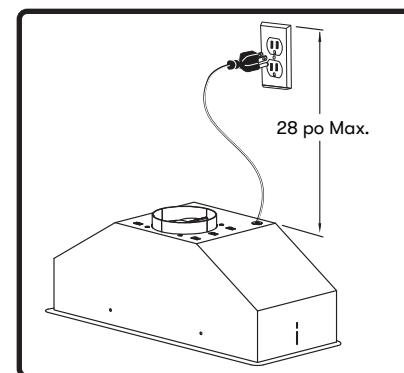


FIG. A

Consulter un électricien compétent en cas de doute sur ces consignes de mise à la terre ou en cas d'incertitude concernant la mise à la terre correcte du circuit sur lequel l'appareil est branché.

Ne pas utiliser de cordon de rallonge. Si le cordon d'alimentation est trop court, faire installer une prise par un électricien compétent à proximité de l'appareil.

Positionnez la prise électrique dans l'espace couvert par ou au-dessus du boîtier décoratif de l'auvent lorsque l'espace le permet et de manière à ne pas gêner le conduit rond. Assurez-vous que la sortie n'est pas à plus de 28 po du haut du corps de la hotte.

Montage de la hotte



Au moins deux installateurs sont nécessaires en raison du poids et de la taille de la hotte.

1. Installez une doublure en acier inoxydable AK084xAS en option. Consultez le manuel inclus avec la doublure pour plus de détails.
2. Si aucune doublure n'est utilisée, découpez une ouverture au bas de l'armoire en suivant les dimensions de la FIG. B.
3. Retirez le filtre à mailles en aluminium.
4. Soulevez le bloc d'alimentation dans l'ouverture et assurez-vous que le clip de verrouillage est verrouillé en position. (Le clip de verrouillage est situé sur le côté gauche du bloc d'alimentation. FIG. C.
5. Fixez (2) vis #6 sur le côté arrière long du bloc d'alimentation. Si une doublure est utilisée, les vis passeront par les trous de montage du bloc d'alimentation, puis la doublure et la base en bois. REMARQUE: Des blocs de bois peuvent devoir être ajoutés à la base de l'armoire si un support supplémentaire est nécessaire. Voir la FIG. D et FIG. E.
6. Retirez les 4 vis de la plaque frontale du bloc d'alimentation. La plaque frontale tombera et sera suspendue par des chaînes internes. L'accès au côté long avant du Power Pack est maintenant disponible. Fixez (2) vis #6 sur le côté long avant du bloc d'alimentation.
7. Réinstallez la plaque frontale du bloc d'alimentation à l'aide des (4) vis précédemment retirées.
8. Installer les conduits et sceller avec du ruban adhésif et installer l'électricité.
9. Retirez tous les matériaux d'emballage avant d'utiliser le Power Pack. Mettez sous tension et vérifiez les fuites autour du ruban adhésif. Installez un filtre à mailles en aluminium.

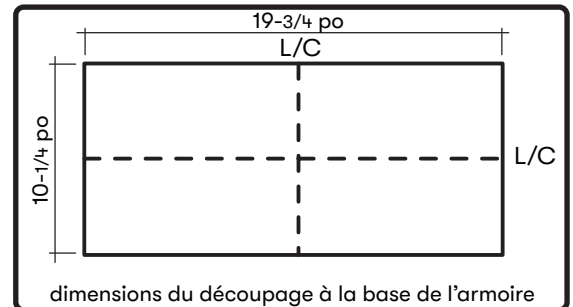


FIG. B

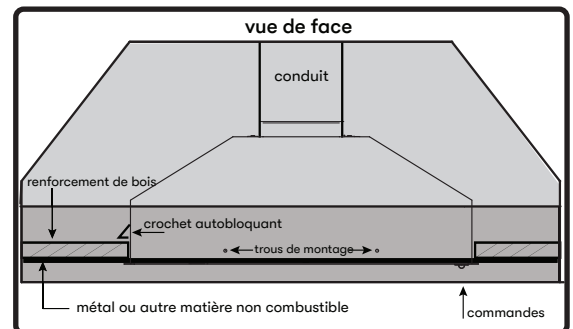


FIG. C

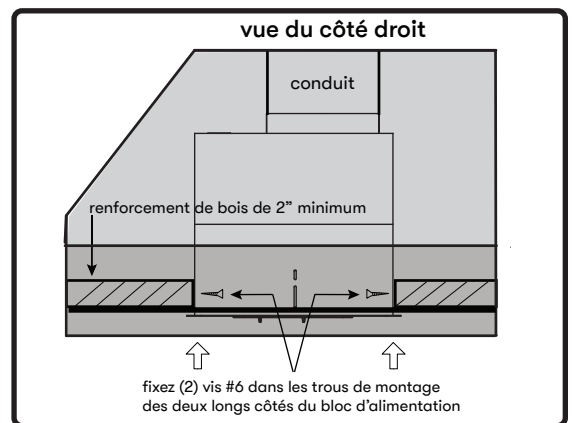


FIG. D

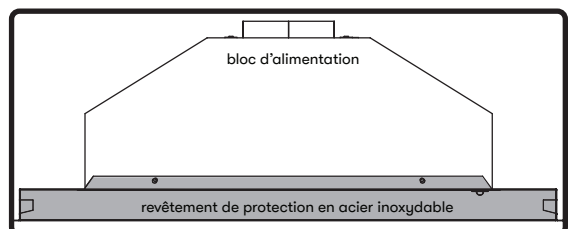


FIG. E

Recirculation sans conduit

La recirculation sans conduit est destinée aux applications où un conduit d'évacuation ne peut pas être installé. Une fois convertie, la hotte fonctionne comme une hotte à recirculation plutôt que comme une hotte aspirante. Les fumées et les gaz d'échappement de la cuisson sont aspirés et filtrés par un ensemble de filtres à charbon en option. L'air est ensuite purifié et remis en circulation dans la maison.

Nous recommandons de **TOUJOURS** évacuer l'air à l'extérieur de la maison en utilisant des conduits existants ou en installant de nouveaux conduits, si possible. La hotte est la plus efficace et la plus efficace en tant que hotte aspirante. Ce n'est que lorsque l'option d'échappement n'est pas possible que vous devriez recourir à la conversion de la hotte en hotte à recirculation.

Lorsqu'il est converti en hotte à recirculation, un ensemble de filtres à charbon est requis en plus de son ensemble de filtres métalliques standard. Commandez selon son numéro de pièce ci-dessous. Les filtres à mailles standard sont destinés à capturer les résidus de cuisson et les filtres à charbon en option aident à purifier les fumées épuisées de la cuisson pour la recirculation.

Le kit comprend les filtres à charbon et la plaque de dérivation d'air. Pour des instructions d'installation détaillées, veuillez consulter le manuel inclus avec le kit de recirculation.

Kit de recirculation

Modèle de capot	Numéro d'article	Quantité à commander
AK9128BS-BF	ZRC-9100A	1
AK9134BS-BF	ZRC-9100A	1

Remplacement des filtres à charbon

Modèle de capot	Numéro d'article	Quantité à commander
AK9128BS-BF	ZOF-C091	2
AK9134BS-BF	ZOF-C091	2

NE LAVEZ PAS LES FILTRES À CHARBON. Les filtres à charbon peuvent devoir être changés plus souvent en fonction des habitudes de cuisson.

Installation du filtre à charbon (FIG. F):

1. Placez le filtre à charbon sur la face arrière du filtre à mailles en aluminium.
2. Fixez le filtre à charbon par 4 clips C du kit de recirculation ZRC-8400A, 2 clips C pour chaque côté allongé du filtre à charbon.

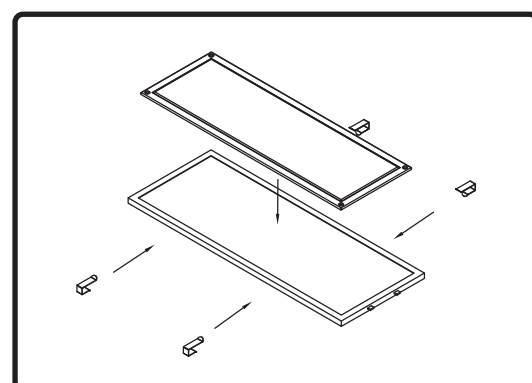


FIG. F

Commandes à glissière

❶ Ventilateur Marche/Arrêt /
Choix de Vitesse

❷ Lumières Éteindre/
Veilleuse/Forte intensité



❶ Ventilateur Marche/Arrêt/Choix de Vitesse

À 0 l'appareil est éteint; I équivaut à la vitesse lente, II à la vitesse moyenne et III à la vitesse maximale.

❷ Lumières Éteindre/Forte intensité/Veilleuse

À 0 la lampe est éteinte, I équivaut à la veilleuse et II à la forte intensité.

Entretien

Nettoyage de la hotte et du filtre

Entretien de surface

- ▶ N'utilisez pas de détergents corrosifs, de détergents abrasifs ou de nettoyeurs pour four.
- ▶ N'utilisez aucun produit contenant un agent de blanchiment chloré ou un produit contenant du chlorure.
- ▶ N'utilisez pas de laine d'acier ou de tampons à récurer abrasifs qui pourraient rayer et endommager la surface.

Nettoyage de l'acier inoxydable

Nettoyez périodiquement avec de l'eau chaude savonneuse et un chiffon en coton propre ou un chiffon en microfibres. Frottez toujours dans le sens du grain de l'acier inoxydable. Pour éliminer les accumulations de graisse plus lourdes, utilisez un détergent dégraissant liquide.

Après le nettoyage, utilisez un produit de polissage / nettoyant pour acier inoxydable non abrasif pour polir et polir le lustre et le grain de l'acier inoxydable. Frottez toujours légèrement avec un chiffon en coton propre ou en microfibres et polissez dans le sens du grain de l'acier inoxydable.

Filtres à mailles en aluminium

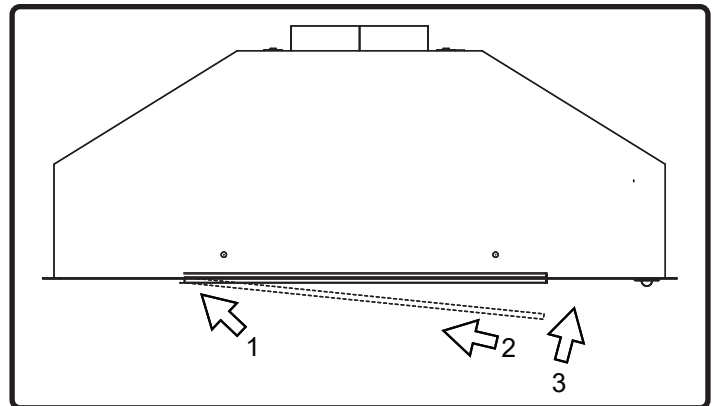
Les filtres à mailles en aluminium installés par l'usine sont destinés à filtrer les résidus et les graisses de cuisson. Ils n'ont pas besoin d'être remplacés régulièrement, mais doivent être maintenus propres.

Retirer et nettoyer à la main ou au lave-vaisselle avec un détergent sans phosphate. Une décoloration du filtre peut survenir si vous utilisez des détergents phosphatés ou en raison des conditions locales de l'eau - mais cela n'affectera pas les performances du filtre. Cette décoloration n'est pas couverte par la garantie. Vaporiser un détergent dégraissant et laisser tremper s'il est très sale.

Séchez les filtres et réinstallez-les avant d'utiliser la hotte.

Installation des filtres à mailles en aluminium (FIG. G):

1. Placez l'arrière du filtre dans le canal sur le côté gauche du bloc d'alimentation.
2. Tirez la poignée du filtre vers le côté gauche du bloc d'alimentation.
3. Faites pivoter le filtre vers le haut et verrouillez-le en place.

**FIG. G****Remplacement des filtres à mailles en aluminium**

Modèle de capot	Numéro d'article	Quantité à commander
AK8400BS	50200054	1
AK8400BS290	50200054	1

Pour commander des pièces, visitez-nous en ligne à <http://store.zephyronline.com>.

LumiLight LED

Dans le cas peu probable où votre LumiLight LED tombe en panne, veuillez contacter Zephyr pour commander des pièces de rechange. Consultez la page de la liste des pièces et accessoires pour les numéros de pièces et les coordonnées.

Retrait de la LED (FIG. H):

1. Retirez le filtre à mailles en aluminium.
2. Retirez le panneau inférieur à l'aide de deux vis.
3. Débranchez le connecteur rapide de la lumière LED.
4. Poussez les deux clips latéraux aux extrémités de la lumière LED.
5. Poussez la lumière LED à travers l'ouverture du panneau lumineux.

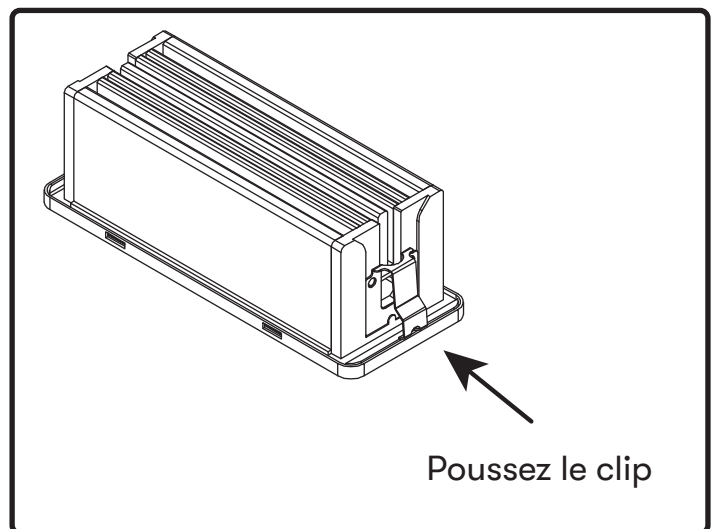
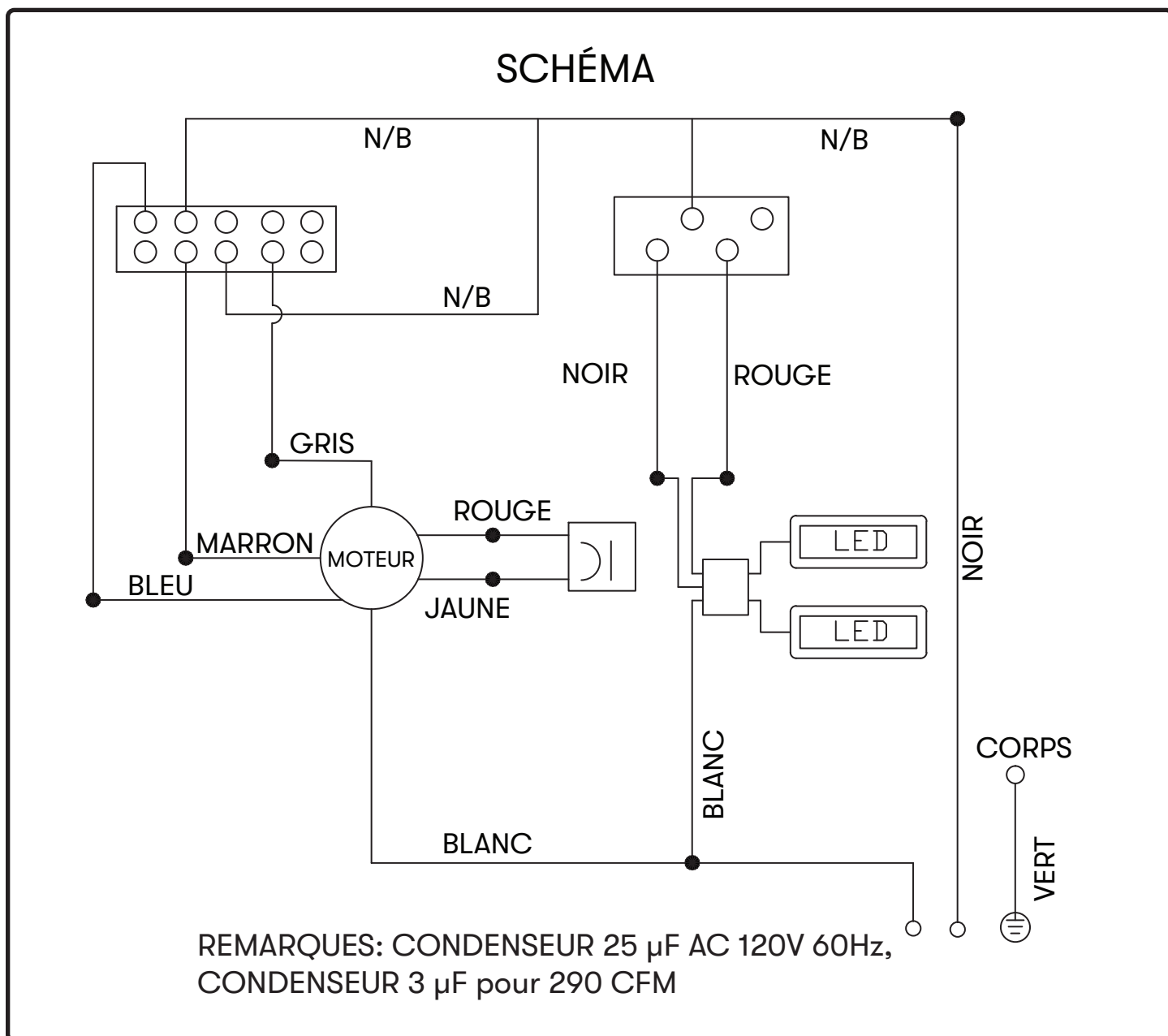
**FIG. H**

Schéma de câblage



Problème possible	Cause possible	Solutions
Après l'installation, l'appareil ne fonctionne pas.	La source d'alimentation n'est pas allumée.	Assurez-vous que le disjoncteur et l'appareil sont sous tension.
	La ligne d'alimentation et le connecteur de verrouillage du câble ne se connectent pas correctement.	Vérifiez que la connexion électrique avec l'appareil est correctement connectée.
	Les câblages du tableau de commande ou du tableau de commande sont déconnectés.	Assurez-vous que les câbles du tableau de commande et du tableau de commande sont correctement connectés.
	Le tableau de commande ou le tableau de commande est défectueux.	Changer le tableau de commande ou le tableau de commande.
	Les fils du tableau de commande sont desserrés.	Assurez-vous que les fils de la carte de commande sont correctement connectés.
La lumière fonctionne, mais le ventilateur ne tourne pas.	Le système thermiquement protégé détecte si le ventilateur est trop chaud pour fonctionner et arrête le ventilateur.	Le ventilateur fonctionnera correctement après le refroidissement du système thermiquement protégé.
	Condensateur endommagé.	Changez le condensateur.
	Le ventilateur est défectueux, éventuellement grippé.	Changer le ventilateur.
L'unité vibre.	Le ventilateur n'est pas fixé en place.	Serrez le ventilateur en place.
	Roue de soufflante endommagée.	Remplacez le ventilateur.
	Le capot n'est pas fixé en place.	Vérifiez l'installation de la hotte.
L'unité siffle.	Un filtre n'est pas dans la bonne position.	Ajustez les filtres jusqu'à ce que le sifflement s'arrête.
	Les raccords des tuyaux de conduit ne sont pas scellés ou correctement connectés.	Vérifiez les connexions des tuyaux de conduit pour vous assurer que toutes les connexions sont correctement scellées.
Le ventilateur fonctionne, mais les LED LumiLight ne le sont pas.	Le connecteur LED LumiLight est déconnecté.	Branchez le connecteur LED LumiLight.
	LED LumiLight défectueuse.	Changez la LED LumiLight.
	Le tableau de commande ou le tableau de commande est défectueux.	Changer le tableau de commande ou le tableau de commande.

Dépannage

TORNADO MINI

INSÉRER

Problème possible	Cause possible	Solutions
Les LED LumiLight clignotent lors du changement de niveau de vitesse.	N/A	Il s'agit d'une opération normale et la hotte fonctionne correctement.
La hotte ne s'échappe pas correctement.	Utilisation de la mauvaise taille de conduit.	Changer le conduit à la bonne taille.
	La hotte est peut-être suspendue trop haut de la table de cuisson.	Ajustez la distance entre la table de cuisson et le bas de la hotte à moins de 20 po (plaques de cuisson électriques) ou 24 po (plaques de cuisson à gaz) et 36 po.
	Le vent provenant des fenêtres ouvertes ou des portes ouvertes dans la zone environnante affecte la ventilation de la hotte.	Fermez toutes les fenêtres et portes pour éliminer le vent extérieur.
	Obstruction dans l'ouverture du conduit ou dans les conduits.	Retirez tout le blocage du conduit ou de l'ouverture du conduit.
Le filtre vibre	Le filtre est lâche.	Ajustez ou changez le filtre.
	Le clip à ressort est cassé sur le filtre.	Changer le clip à ressort.

La description	Numéro d'article
Pièces de rechange	
LumiLight LED, 6 W	ZOB0049
Filtre à mailles en aluminium	50200054
Accessoires optionnels	
Kit de recirculation	ZRC-8400A
Filtre à charbon de rechange	ZOF-C084
Doublure, 30 po	AK0840AS
Doublure, 36 po	AK0846AS

Pour commander des pièces, visitez-nous en ligne à <http://store.zephyronline.com>.

Remarques

TORNADO MINI

INSÉRER

**TO OBTAIN SERVICE UNDER WARRANTY OR FOR ANY SERVICE RELATED QUESTIONS, please call:
1-888-880-8368**

Zephyr Ventilation, LLC (referred to herein as “we” or “us”) warrants to the original consumer purchaser (referred to herein as “you” or “your”) of Zephyr products (the “Products”) that such Products will be free from defects in materials or workmanship as follows:

Three Year Limited Warranty for Parts: For three years from the date of your original purchase of the Products, we will provide, free of charge, Products or parts (including LED light bulbs, if applicable) to replace those that failed due to manufacturing defects subject to the exclusions and limitations below. We may choose, in our sole discretion, to repair or replace parts before we elect to replace the Products.

One Year Limited Warranty for Labor: For one year from the date of your original purchase of the Products, we will provide, free of charge, the labor cost associated with repairing the Products or parts to replace those that failed due to manufacturing defects subject to the exclusions and limitations below. After the first year from the date of your original purchase, you are responsible for all labor costs associated with this warranty.

Warranty Exclusions: This warranty covers only repair or replacement, at our option, of defective Products or parts and does not cover any other costs related to the Products including but not limited to: (a) normal maintenance and service required for the Products and consumable parts such as fluorescent, incandescent or halogen light bulbs, mesh and charcoal filters and fuses; (b) any Products or parts which have been subject to freight damage, misuse, negligence, accident, faulty installation or installation contrary to recommended installation instructions, improper maintenance or repair (other than by us); (c) commercial or government use of the Products or use otherwise inconsistent with its intended purpose; (d) natural wear of the finish of the Products or wear caused by improper maintenance, use of corrosive and abrasive cleaning products, pads, and oven cleaner products; (e) chips, dents or cracks caused by abuse or misuse of the Products; (f) service trips to your home to teach you how to use the Products; (g) damage to the Products caused by accident, fire, floods, acts of God; or (h) Custom installations or alterations that impact serviceability of the Products. If you are outside our service area, additional charges may apply for shipping costs for warranty repair at our designated service locations and for the travel cost to have a service technician come to your home to repair, remove or reinstall the Products. After the first year from the date of your original purchase, you are also responsible for all labor costs associated with this warranty. All Products must be installed by a qualified professional installer to be eligible for warranty repairs or service.

Limitations of Warranty. OUR OBLIGATION TO REPAIR OR REPLACE, AT OUR OPTION, SHALL BE YOUR SOLE AND EXCLUSIVE REMEDY UNDER THIS WARRANTY. WE SHALL NOT BE LIABLE FOR INCIDENTAL, CONSEQUENTIAL OR SPECIAL DAMAGES ARISING OUT OF OR IN CONNECTION WITH THE USE OR PERFORMANCE OF THE PRODUCTS. THE EXPRESS WARRANTIES IN THE PRECEDING SECTION ARE EXCLUSIVE AND IN LIEU OF ALL OTHER EXPRESS WARRANTIES. WE HEREBY DISCLAIM AND EXCLUDE ALL OTHER EXPRESS WARRANTIES FOR THE PRODUCTS, AND DISCLAIM AND EXCLUDE ALL WARRANTIES IMPLIED BY LAW, INCLUDING THOSE OF MERCHANTABILITY AND FITNESS FOR A PARTICULAR PURPOSE.

Some states or provinces do not allow limitations on the duration of an implied warranty or the exclusion or limitation of incidental or consequential damages, so the above limitations or exclusions may not apply to you. To the extent that applicable law prohibits the exclusion of implied warranties, the duration of any applicable implied warranty is limited to the same three-year and one-year periods described above if permitted by applicable law. Any oral or written description of the Products is for the sole purpose of identifying the Products and shall not be construed as an express warranty. Prior to using, implementing or permitting use of the Products, you shall determine the suitability of the Products for the intended use, and you shall assume all risk and liability whatsoever in connection with such determination. We reserve the right to use functionally equivalent refurbished or reconditioned parts or Products as warranty replacements or as part of warranty service. This warranty is not transferable from the original purchaser and only applies to the consumer residence where the Product was originally installed located in the United States and Canada. This warranty is not extended to resellers.

To Obtain Service Under Limited Warranty: To qualify for warranty service, you must: (a) notify us at the address or telephone number stated below within 60 days of the discovery of the defect; (b) give the model number and serial number; and (c) describe the nature of any defect in the Product or part. At the time of the request for warranty service, you must present evidence of your proof of purchase and proof of the original purchase date. If we determine that the warranty exclusions listed above apply or if you fail to provide the necessary documentation to obtain service, you will be responsible for all shipping, travel, labor and other costs related to the services. This warranty is not extended or restarted upon warranty repair or replacements.

Please check our website for any additional Product information, www.zephyronline.com.

Zephyr Ventilation Service Department, 2277 Harbor Bay Parkway, Alameda, CA 94502 1-888-880-8368

MAY20.0401

Enregistrement du produit

Nous vous félicitons d'avoir acheté un produit Zephyr. Veuillez prendre un moment pour enregistrer votre nouvelle produit au www.zephyronline.com/registration

C'EST IMPORTANT

Cet enregistrement rapide est utile à bien des égards.

- Il assure la couverture de votre garantie si vous avez besoin de service après-vente.
- À des fins d'assurance, il permet de confirmer que vous êtes le propriétaire.
- Il vous permet de recevoir des avis concernant des modifications ou des rappels de produits.



Zephyr Ventilation | 2277 Harbor Bay Pkwy. | Alameda, CA 94502 | 1.888.880.8368