

PARTS LIST

CONTENTS

PARTS LIST

1. Precautions.....	01-1
2. Outdoor unit parts list.....	01-2
2-1. Models: AOU36RLAVS4 and AOU48RLAVS4	01-2

1. Precautions

When you start servicing, pay attention to the following points. For detailed precautions, refer to the installation manual of the products.

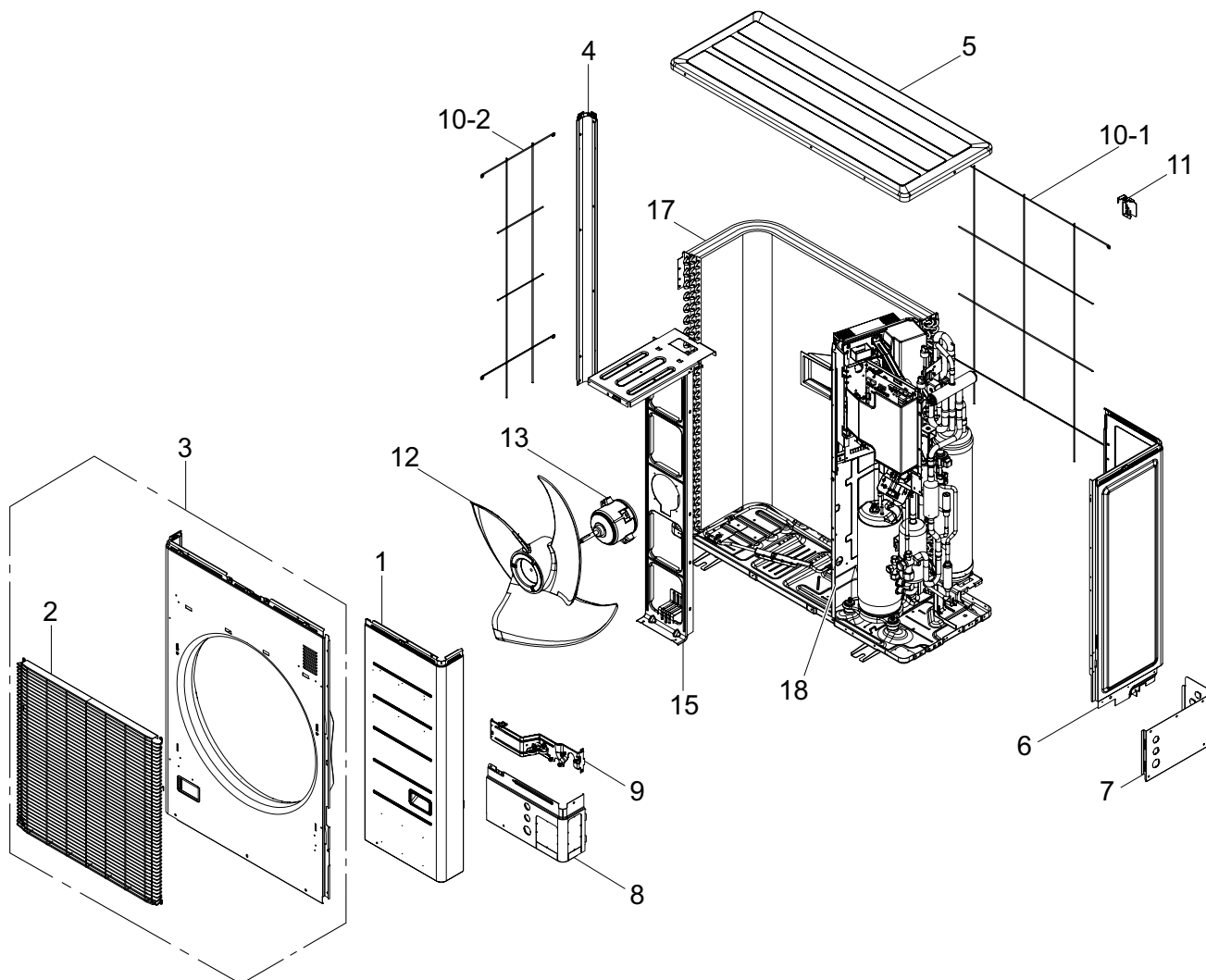
⚠ CAUTION

- Service personnel
 - Any person who is involved with working on or breaking into a refrigerant circuit should hold a current valid certificate from an industry-accredited assessment authority, which authorizes their competence to handle refrigerants safely in accordance with an industry recognized assessment specification.
 - Servicing shall only be performed as recommended by the equipment manufacturer. Maintenance and repair requiring the assistance of other skilled personnel shall be carried out under the supervision of the person competent in the use of flammable refrigerants.
 - Servicing shall be performed only as recommended by the manufacturer.
 - Work
 - Work in confined spaces shall be avoided.
 - The area around the workspace shall be sectioned off.
 - Electric shock may occur. After turning off the power, always wait 5 minutes before touching electrical components.
 - Do not touch the fins of the heat exchanger. Touching the heat exchanger fins could result in damage to the fins or personal injury such as skin rupture.
 - Do not place any other electrical products or household belongings under the product.
 - Condensation dripping from the product might get them wet, and may cause damage or malfunction to the property.
-
- Service parts information and design are subject to change without notice for product improvement.
 - For the latest information of the service parts, refer to our Service Portal.
<https://fujitsu-general.force.com/portal/>
 - Precise figure of the service parts listed in this manual may differ from the actual service parts.

2. Outdoor unit parts list

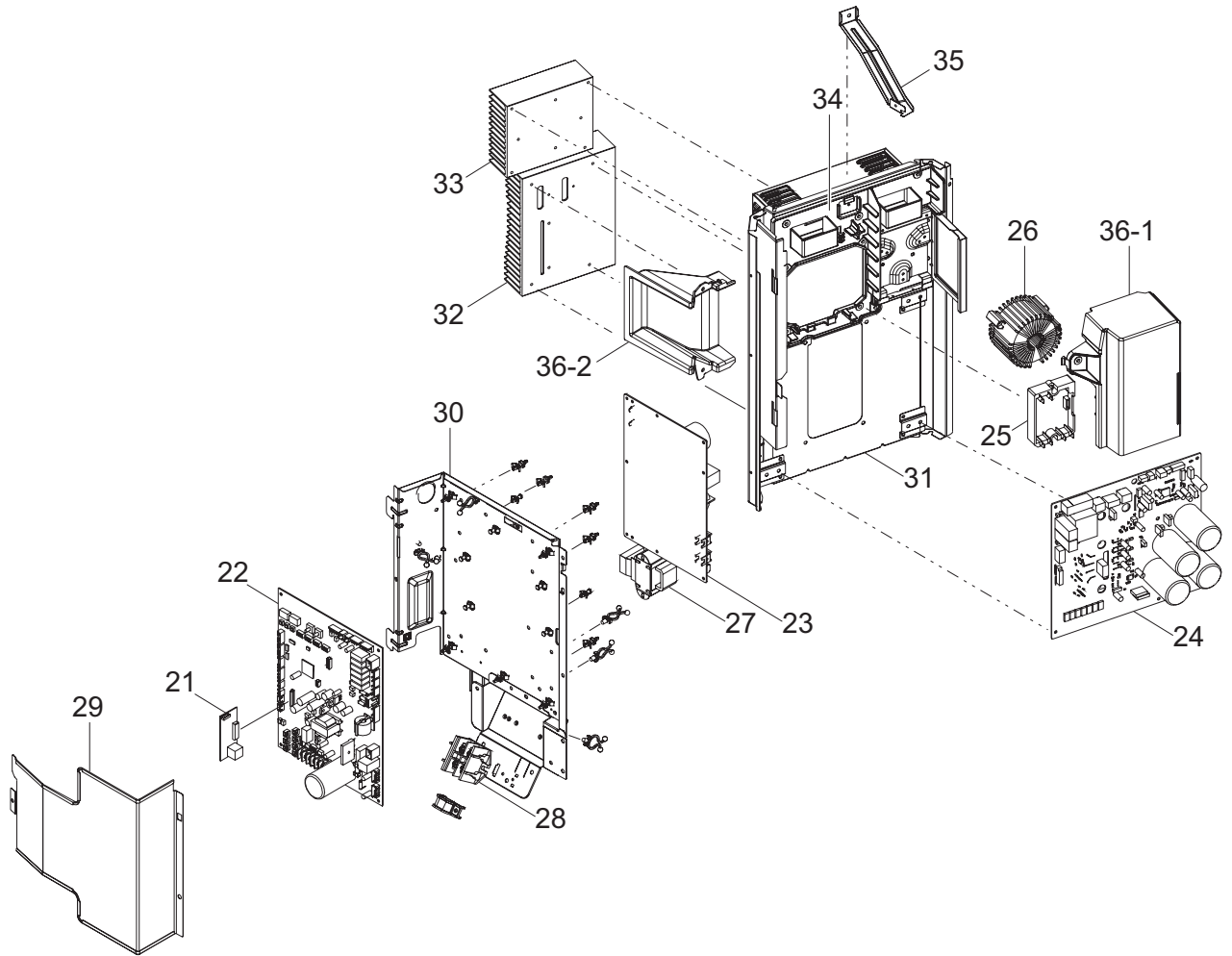
2-1. Models: AOU36RLAVS4 and AOU48RLAVS4

■ Exterior parts and chassis



Item no.	Part no.		Part name	Service part
	AOU36RLAVS4	AOU48RLAVS4		
1	9380571049	9380571049	Service panel sub assy	◆
2	9382179007	9382179007	Fan guard	◆
3	9380569091	9380569091	Front panel sub assy	◆
4	9380968009	9380968009	Cabinet left	◆
5	9379416108	9379416108	Top panel sub assy	◆
6	9380570042	9380570042	Cabinet right sub assy	◆
7	9384171009	9384171009	Pipe cover rear	◆
8	9384170002	9384170002	Pipe cover front	◆
9	9379409018	9379409018	Valve plate	◆
10-1	9378926059	9378926059	Protective net (rear)	◆
10-2	9378928022	9378928022	Protective net (left)	◆
11	9332505009	9332505009	Thermo holder	◆
12	9379414005	9379414005	Propeller fan	◆
13	9603496012	9603496012	Motor,DC brushless	◆
15	9380566021	9380566021	Motor bracket sub assy	◆
17	9374420360	9374420360	Condenser sub assy	◆
18	9380567011	9380567011	Separate wall sub assy	◆
—	9380477006	9380477006	Label (FUJITSU)	—
—	9380479000	9380479000	Label (AIRSTAGE)	—

■ Inverter unit

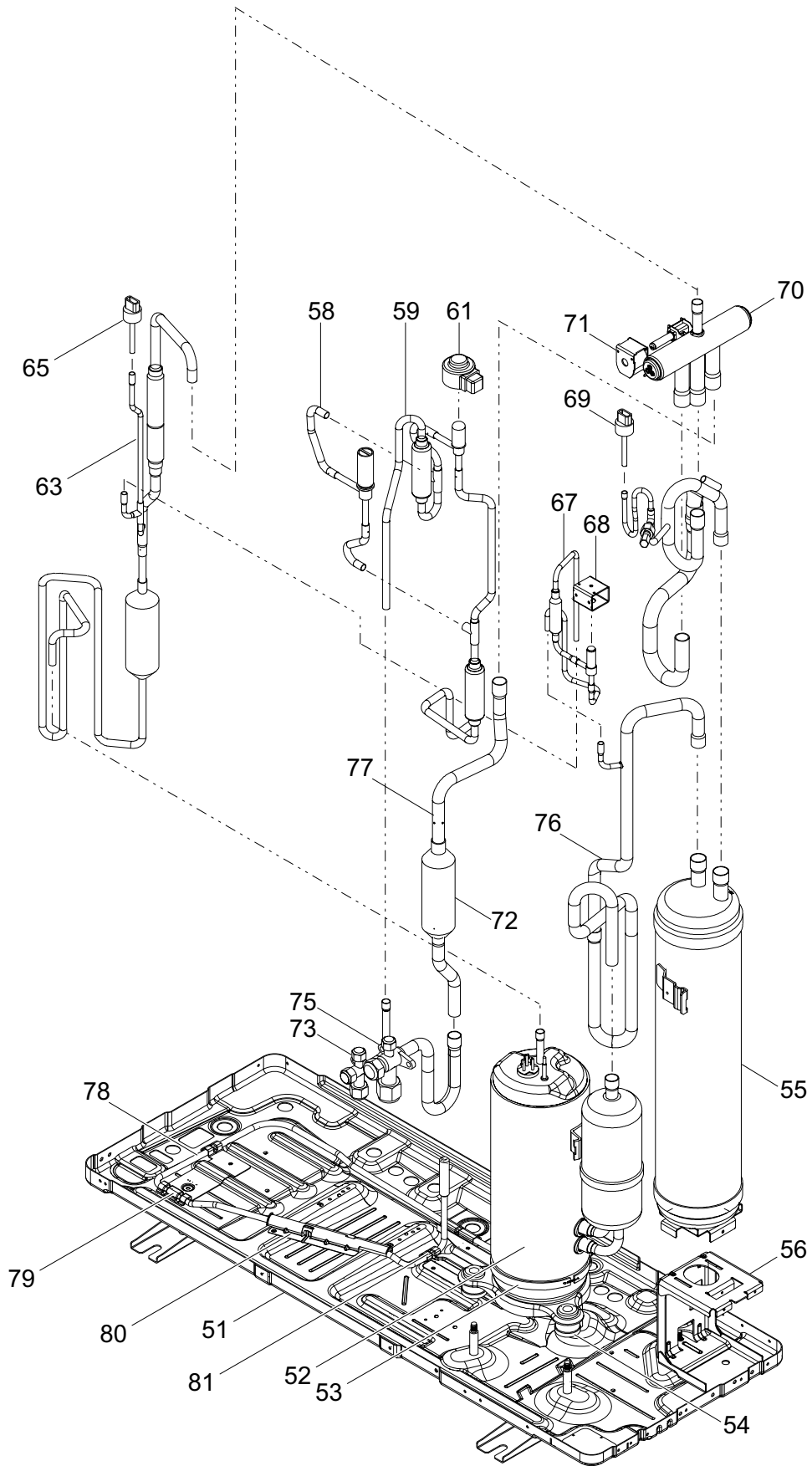


Item no.	Part no.		Part name	Service part
	AOU36RLAVS4	AOU48RLAVS4		
21	9709612033	9709612033	Communication PCB	◆
22	9708853215	9708853215	Main PCB assy	◆
23	9709911198	9709911198	Filter PCB assy	◆
24	9709685839	9709685839	Inverter PCB assy (service)	◆
25	9708920009	9708920009	Actpm	◆
26	9900624019	9900624019	Choke Coil	◆
27	9900481025	9900481025	Reactor assy	◆
28	9900428105	9900428105	Terminal	◆
29	9378930025	9378930025	Control cover sub assy	◆
30	9380543008	9380543008	Control box (main) assy	◆
31	9380971023	9380971023	Control box (inv) assy	◆
32	9380483007	9380483007	Heat sink A	◆
33	9380980018	9380980018	Heat sink C	◆
34	9380981015	9380981015	Holder (heat sink)	◆
35	9380978008	9380978008	Bracket control box B	◆
36-1	9380961000	9380961000	Duct A	◆
36-2	9380959007	9380959007	Duct D	◆

■ Compressor

PARTS LIST

PARTS LIST



Item no.	Part no.		Part name	Service part
	AOU36RLAVS4	AOU48RLAVS4		
51	9379427098	9379427098	Base assy	◆
52	9810275004	9810275004	Compressor	◆
53	9901076046	9901076046	Belt heater	◆
54	9810059000	9810059000	Rubber mount	◆
55	9372700075	9372700075	Accumulator sub assy	◆
56	9380471004	9380471004	Installation plate (accumulator)	◆
58	9380951001	9380951001	Rerief valve assy	◆
59	9378750111	9378750111	Expansion valve assy	◆
61	9970163005	9970163005	Coil (expansion valve)	◆
63	9371581361	9371581361	Discharge pipe total assy	◆
65	9970158001	9970158001	Sensor (HP)	◆
67	9380016038	9380016038	Solenoid valve assy	◆
68	9970165009	9970165009	Solenoid (SV)	◆
69	9970159008	9970159008	Sensor (LP)	◆
70	9970161001	9970161001	4-way valve	◆
71	9970110078	9970110078	Solenoid (4-way valve)	◆
72	9380559009	9380559009	Strainer assy	◆
73	9381055005	9381055005	3-way valve assy (liquid)	◆
75	9315414045	9315414045	3-way valve assy (gas)	◆
76	9372514191	9372514191	Suction pipe assy	◆
77	9374840243	9374840243	Joint pipe (valve) assy	◆
78	9900919023	9900919023	Heater (base)	◆
79	9382202002	9382202002	Heater holder L	◆
80	9382203009	9382203009	Heater holder C	◆
81	9382201005	9382201005	Heater holder R	◆
—	9382460006	9382460006	4-way valve total assy (Including fusible plug pipe assy)	—
—	9379647090	9379647090	Compressor cover	—
—	9380516071	9380516071	Compressor cover top	—
—	9900811006	9900811006	Thermistor assy (discharge temp. +comp. temp.)	—
—	9900507039	9900507039	Thermistor assy (suction temp.+heat ex. temp.)	—
—	9900747022	9900747022	Thermistor assy (outdoor temp.)	—