

3 Ton, HP Outdoor Unit , 208/230 VAC, 1-Phase, 60 Hz

AOUA36RLAVS4

Job Name \_\_\_\_\_  
 Location \_\_\_\_\_  
 Engineer \_\_\_\_\_  
 Submitted To \_\_\_\_\_  
 Submitted By \_\_\_\_\_  
 Reference \_\_\_\_\_

Date \_\_\_\_\_  
 Approval \_\_\_\_\_  
 Construction \_\_\_\_\_  
 Unit No \_\_\_\_\_  
 Drawing No \_\_\_\_\_

**Features**

- Powerful heating down to -15 F
- Reduced MCA down to 30A to adjustable 20A
- Base Pan Heater
- Improved connection ratio up to 130%
- 10 Year warranty on parts and compressor. See Warranty Statement for details.
- Optional: Internet, BACnet, LonWorks, or Modbus communication



**CAPACITY**

Nominal Cooling Capacity - BTU/h [kW]	36,000 [10.6]
Nominal Heating Capacity - BTU/h [kW]	42,000 [12.3]
Nominal Tonnage - Ton(s)	3
Maximum Connectable Indoor Units	9
Connectable Capacity	50% to 130%
Cooling Power Input: (Non Ducted/Ducted) - kW	2.96 / 3.28
Heating Power Input: (Non Ducted/Ducted) - kW	3.20 / 4.17
Unit Group	AOUA36RLAVS4

**OUTDOOR TEMPERATURE OPERATION RANGE**

Operating Temp. Cooling (HR/HP) - °F [°C]	23 to 115 [-5 to 46]
Operating Temp. Heating (HR/HP) - °F [°C]	-15 to 70 [-26 to 21]

**EFFICIENCY**

EER Cooling (Non Ducted/Ducted)	11.8 / 11.2
EER2 Cooling (Non Ducted/Ducted)	11.80 / 10.25
HSPF (Non Ducted/Ducted)	11.2 / 10.3
HSPF2 (Non Ducted/Ducted)	9.7 / 7.9
COP / High Heating 47°F (Non Ducted/Ducted)	3.74 / 3.56
COP / Low Heating 17°F (Non Ducted/Ducted)	2.66 / 2.58
COP2 (Non Ducted/Ducted)	3.74 / 2.80
SEER (Non Ducted/Ducted)	19.7 / 17.4
SEER2 (Non Ducted/Ducted)	20.5 / 15.5

**ELECTRICAL**

Electrical Power Requirements	208/230 V ~ 60 Hz
Voltage Range	187-253
Maximum Circuit Breaker - A	30
Minimum Circuit Ampacity (MCA) - A	29.7
Cooling Power Input: (Non Ducted/Ducted) - kW	2.96 / 3.28
Heating Power Input: (Non Ducted/Ducted) - kW	3.20 / 4.17
Maximum Starting Current (MSC) - A	22.9
Compressor- Rated Load Amperage (RLA) - A	12.3
Fan Motor - Full Load Amperage (FLA) - A	0.9

**WIRING**

Communication Cable	LonWorks (Fujitsu Pink Cable. See bulletin A20221205A)
---------------------	--

**PIPING**

Max. Total Refrigerant Line Length - ft [m]	262 [80]
Max Height Diff. (OD & ID) (Upper/Lower) - ft [m]	98/98 [130/30]
Max. Refrig. Line Length 1st Sep. tube to farthest IU - ft [m]	131 [40]
Pipe Connection Method: Liquid/Gas	Flare
Pipe Connection: Liquid - in [mm]	3/8 [9.52]
Pipe Connection: Discharge Gas - in [mm]	5/8 [15.88]
Maximum Length- Outdoor Unit to Indoor Unit - ft [m]	164 [50]

**SOUND**

Sound Pressure Levels (Cooling/Heating) - dB(A)	52 / 54
---	---------

**FAN**

Fan Type	Proppeller Fan x 1
Fan Airflow Rate - CFM [m3/h]	2,472 [4,200]
Fan Power Output - W	111
Fan Motor - Full Load Amperage (FLA) - A	0.9
External Static Pressure (Max) - in.WG [Pa]	0.10 [25]
Motor Output Direct-Drive Inverter - kW	0.11

**WEIGHT**

Net Weight - lbs [kg]	196 [89]
Gross Weight - lbs [kg]	218 [99]

**DIMENSIONS**

Dim.Net (HxWxD) - in [mm]	39-5/16 x 38-3/16 x 14-9/16 [998 x 970 x 370]
Dim.Gross (HxWxD) - in [mm]	45-3/4 x 41-7/8 x 18-13/16 [1,162 x 1,064 x 478]

**CODE**

AHRI Certified	Standard 210/240
ETL	3170288

**HEAT EXCHANGER**

H. E. Pipe Type (Material)	Grooved H-pin (Copper)
H. E. Fin Tube (Material)	Corrugate (Aluminum)
H. E. Fin Surface Treatment	Corrosion resistance (Blue fin)
H. E. Fin Pitch - FPI [mm]	18 [1.45]
H. E. Rows x Stages	3 x 46
H. E. Face Area - Ft <sup>2</sup> [m <sup>2</sup> ]	9.7 [0.9]
H. E. Length - in [mm]	36-5/16 [922]

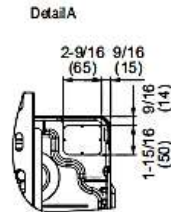
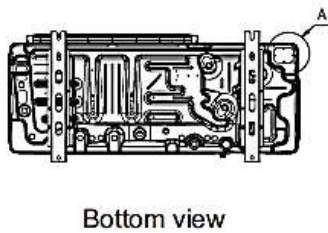
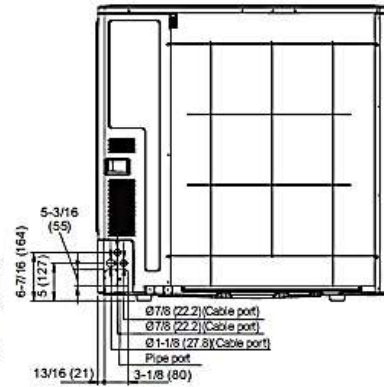
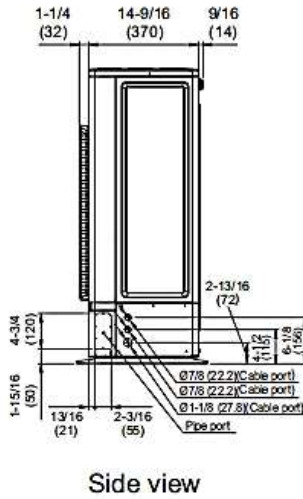
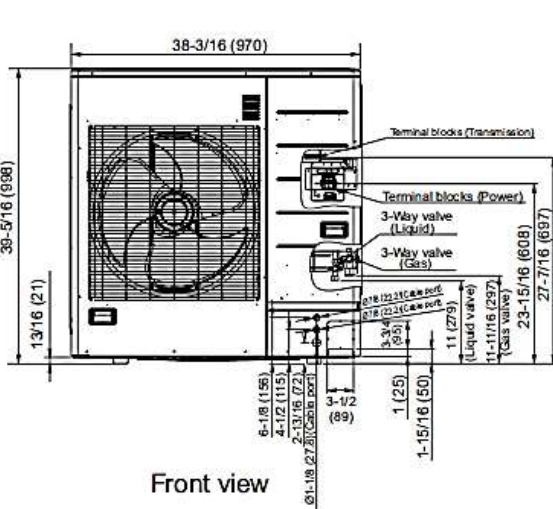
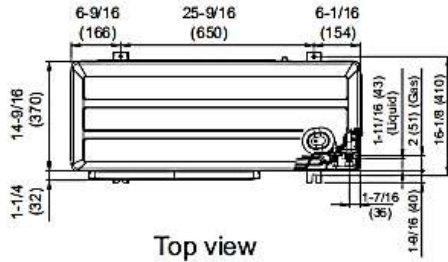
Note: Specifications are based on the following conditions:

Cooling: Indoor temperature of 80°F (26.7°C) DB/67°F (19.4°C) WB, and outdoor temperature of 95°F (35°C) DB/75°F (23.9°C) WB. Heating: Indoor temperature of 70°F (21.1°C) DB/60°F (15.6°C) WB, and outdoor temperature of 47°F (8.3°C) DB/43°F (6.1°C) WB. Pipe length: 25ft. (7.5m), Height difference: 0ft. (0m) (Outdoor unit – indoor unit).



DIMENSIONS

Unit: in (mm)



Bottom view

Side view

Rear view