

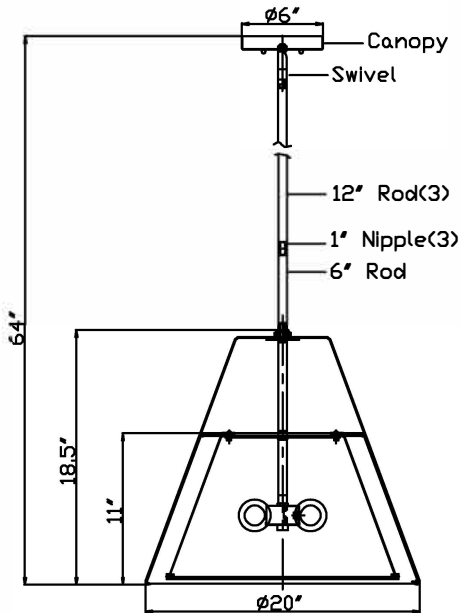
CRYSTORAMA

LIGHTING THE WAY FOR SIXTY YEARS

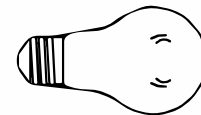


Crystorama.com

ASSEMBLY INSTRUCTION MODEL #FUL-904-GA



All electrical components must be installed by a licensed electrician in accordance with the National Electric Code and the appropriate local electrical codes.



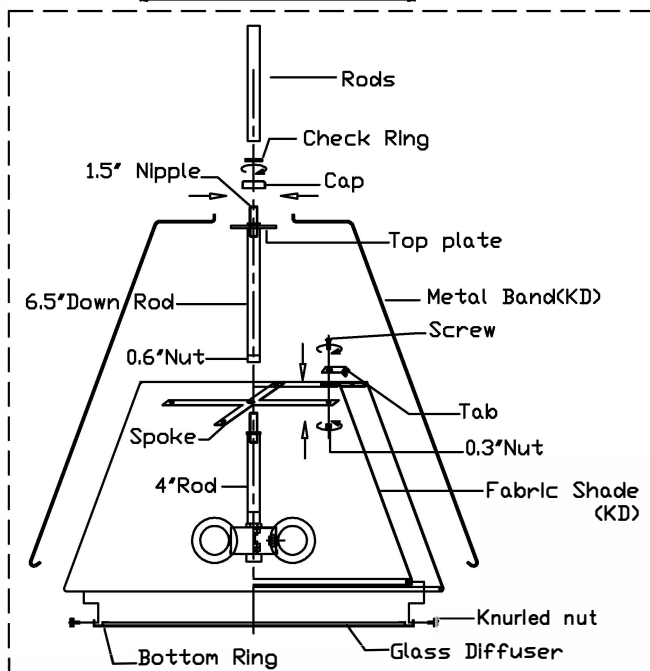
You will need 3 - Med.Bulb

40 Watts Recommended

100 Watts Max

USE LED BULBS FOR EXTENDED USE

This fixture is DAMP rated

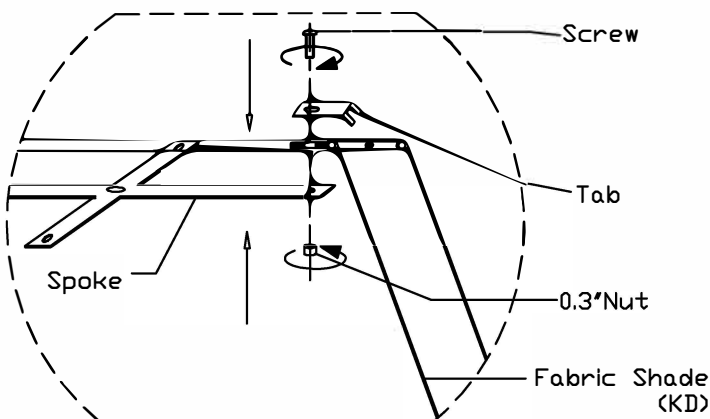


How to install

1. Install the Bulb (Not included) onto the socket.
2. Put the bottom ring over the fabric shade and secure it with knurled nuts.
3. Put the shade on top of the spoke and secure with screw and nut. Thread the down rod onto the top of spoke.
4. Hook one end of the metal band onto fabric shade, and put the other end on the top plate. Then cover it with the cap and secure it with check ring.
5. Determine the preferred hanging height and choose the stems needed.
6. Pass the wire through the stems and connect them together. Do not thread the nipples too much inside the stem. Just screw in the center rod with half the length of the nipples.
7. Attach one end of the stem assembly onto the fixture body and the other end onto the swivel.
8. Install the fixture onto the outlet box.

Bulb replacement:

1. Take the bottom ring off to change the bulb (Not included).



WARNING: This product can expose you to Lead, which is known to the State of California to cause cancer and/or birth defects or reproductive harm. For more information go to www.P65Warnings.ca.gov

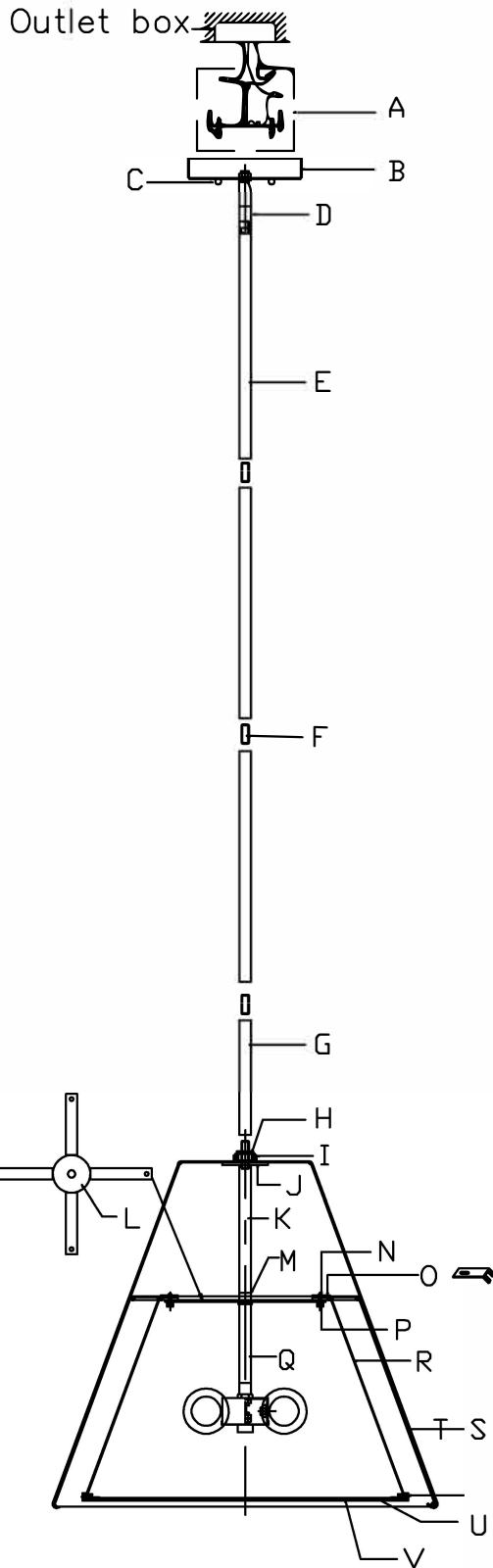
CRYSTORAMA

LIGHTING THE WAY FOR SIXTY YEARS



Crystorama.com

PART NUMBER MODEL #FUL-904-GA



Part Number

Part Numbers

- A. (1)—Mounting hardware
- B. (1)—Canopy; W6"XH1"; #XAR904GACAN6IN
- C. (2)—Ball Nut #XAR903GABANUT
- D. (1)—Swivel
- E. (3)—Rod; W0.6"XL12" #XAR904GAROD12IN
- F. (3)—Nipple; L1"
- G. (1)—Rod; W0.6"XL6" #XAR904GAROD6IN
- H. (1)—Check Ring;
- I. (1)—Cap;
- J. (1)—Top Plate;
- K. (1)—Down Rod; W0.6"XL6.5" #XAR904GASTE M6.5IN
- L. (1)—Spoke;
- M. (1)—Nut; W0.6"XH0.4"
- N. (4)—Screw;
- O. (4)—Tab
- P. (4)—Nut; W0.3"XH0.3"
- Q. (1)—Rod; W0.6"XL4" #XAR904GASTE M4IN
- R. (1)—Fabric Shade; W20"XH11" #XAR904SHA20IN
- S. (4)—Metal band; #XAR904GABAND
- T. (4)—Knurled nut;
- U. (1)—Glass diffuser; ϕ 15.6" #XAR904DIF15.6IN
- V. (1)—Bottom ring; ϕ 16.6" #XAR904GAR ING