

California Faucets®

**Descanso®**

INDUSTRIAL WALL MOUNT TUB FILLER WITH HANDSHOWER

**Features**

- Over 28 finishes including 13 PVD finishes
- All brass construction
- Tub filler: Maximum flow rate: 15 gpm (56.8 L/min) at 60 psi
- Handshower: Max flow rate 2.0 gpm (7.6 L/min)
- 1/4 turn ceramic disc cartridges

**Codes/Standards Applicable**

Product meets or exceeds the following:

- ASME A112.18.1/CSA B125.1
- CEC (1.8 gpm) / DOE (2.0 & 1.8 gpm)
- Commonwealth of MA
- ADA compliant (with lever handles)
- Local codes may require installation of an upstream tempering valve

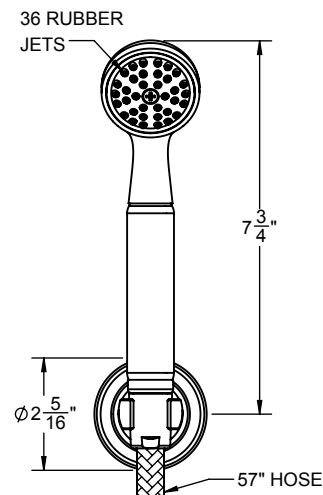
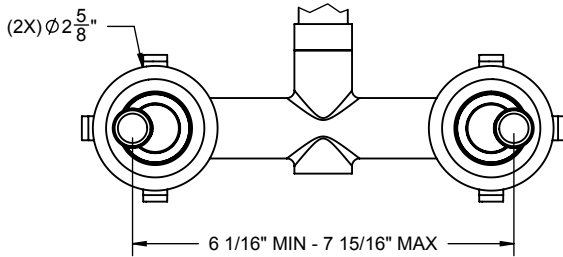
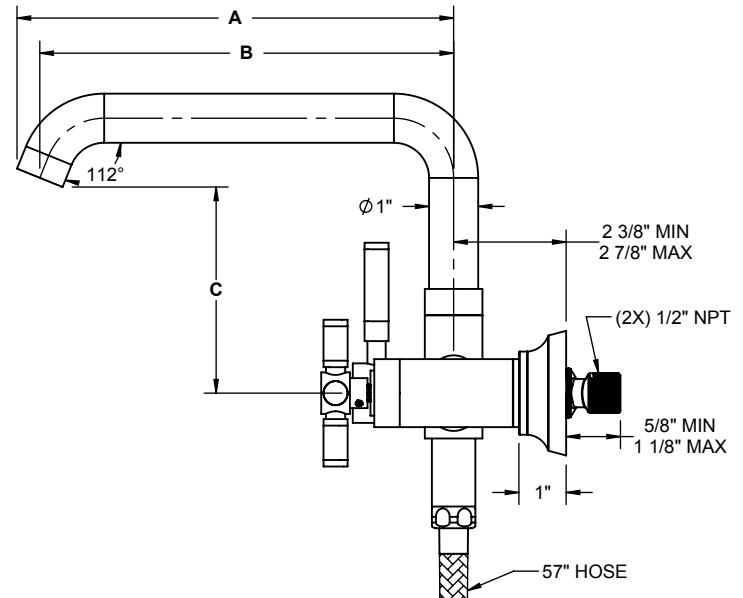
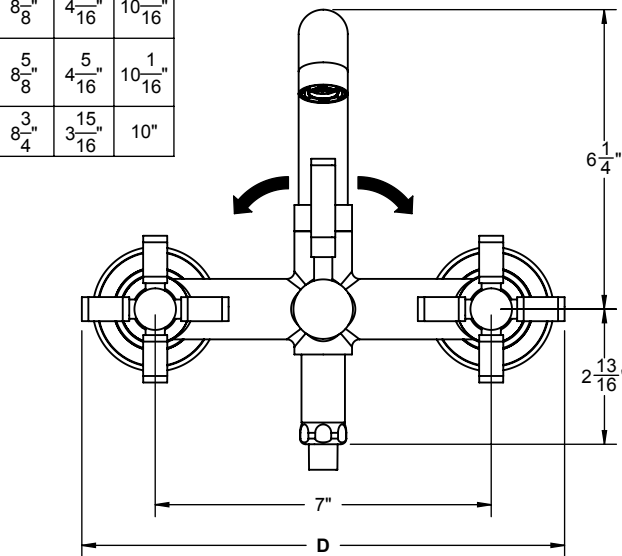
0906-XX.20  
0906-XX.18



0906-30XF.FR SHOWN

XX = DENOTES HANDLE SERIES

HANDLE	A	B	C	D
30	1 1/8"	5 5/8"	4 5/16"	13"
30F	1 1/8"	5 5/8"	4 5/16"	13 1/4"
30K	1 1/4"	3 3/4"	3 15/16"	13 1/4"
30X	1 1/8"	5 5/8"	4 5/16"	10 1/16"
30XF	1 1/8"	5 5/8"	4 5/16"	10 1/16"
30XK	1 1/4"	3 3/4"	3 15/16"	10"



- (1X) PLASTIC #8-10 FINNED ANCHOR
- (1X) #10 X 2 STAINLESS STEEL SCREW

THROUGH-HOLE SPECIFICATIONS		
MIN	RECOMMENDED	MAX
φ 1-13/16"	φ 1-7/8"	φ 2"

SPECIFICATIONS SUBJECT TO CHANGE WITHOUT NOTICE

ALL DIMENSIONS SHOWN TO NEAREST 1/16"