



California Faucets®

Descanso®

PULL-DOWN KITCHEN FAUCET-LOW SPOUT

Features

- All brass construction
- 360° rotating spout
- Magnetic docking secures sprayhead into spout
- Sprayhead button switches between aerated and spray modes
- Spray jets have easy-to-clean surface that withstands mineral build-up
- Quiet polymer-braided hose with rotating joint at sprayhead allows for smooth and non-binding use
- Ceramic disc cartridge
- Max flow rate: 1.8 gpm (6.8 L/min)
- Over 30 finishes including 15 PVD finishes

Codes/Standards Applicable

Product meets or exceeds the following:

- ASME A112.18.1/CSA B125.1
- NSF 61 and NSF 372
- CEC / DOE
- Commonwealth of MA
- ADA Compliant

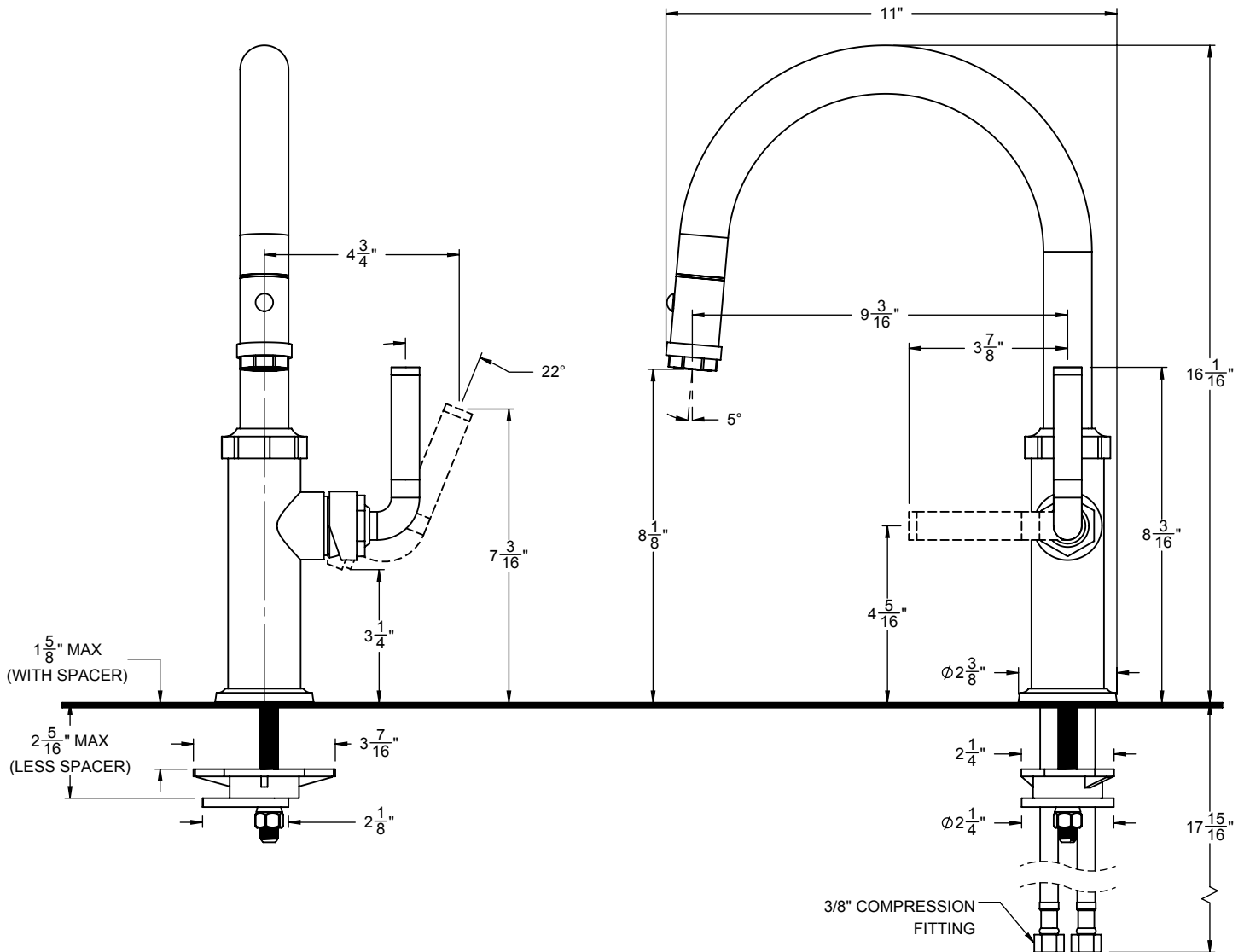
CF-K30-102-FL
CF-K30-102-KL
CF-K30-102-SL



CF-K30-102-FL shown



XX = DENOTES
HANDLE STYLE



THROUGH-HOLE SPECIFICATIONS		
MIN	RECOMMENDED	MAX
Ø 1-1/4"	Ø 1-3/8"	Ø 1-3/8"

SPECIFICATIONS SUBJECT TO CHANGE WITHOUT NOTICE

ALL DIMENSIONS SHOWN TO NEAREST 1/16"