



California Faucets®

**Descanso®**

**ROMAN TUB HANDSHOWER & DIVERTER TRIM**

**Features**

- Handshower: 1/2" MIP inlet with self-clean rubber jets
- Max flow rate: 2.0 gpm (7.6 L/min) or 1.8 gpm (6.8L/min)
- Handshower elbow: 1/2" FIP swivel nut with 1/2" MIP inlet
- Hose: 84" black poly braided hose. Provides durable & quiet operation while not damaging trim finish
- Diverter valve (DDV-R) sold separately
- All brass construction
- Over 30 finishes including 15 PVD finishes

- TO-30.15S.20
- TO-30K.15S.20
- TO-30F.15S.20
- TO-30.15S.18
- TO-30K.15S.18
- TO-30F.15S.18

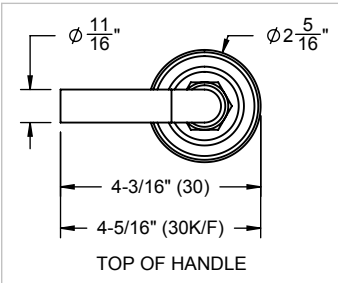
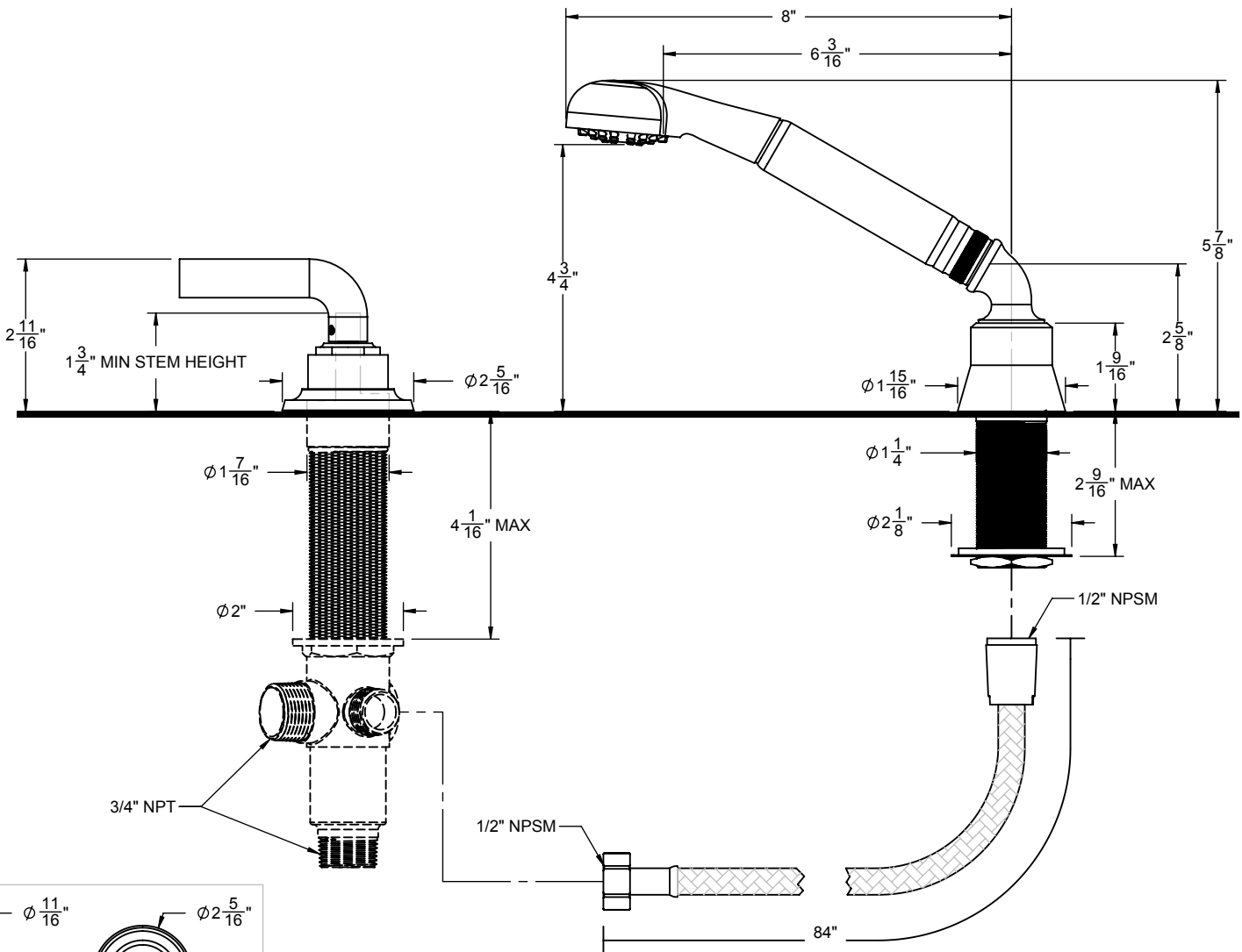
**Codes/Standards**

Product meets or exceeds the following:

- ASME A112.18.1/CSA B125.1
- CEC (1.8 gpm) / DOE (1.8 & 2.0 gpm)
- Commonwealth of MA
- ADA compliant



(TO-30.15S.FR SHOWN)



THROUGH-HOLE SPECIFICATIONS			
	MIN	RECOMENDED	MAX
SHOWER:	Ø 1-1/4"	Ø 1-1/4"	Ø 1-13/16"
VALVE:	Ø 1-7/16"	Ø 1-1/2"	Ø 1-3/4"

SPECIFICATIONS SUBJECT TO CHANGE WITHOUT NOTICE

ALL DIMENSIONS SHOWN TO NEAREST 1/16"