

SHOWER ROD

CORNER SOLID BRASS SHOWER CURTAIN ROD

SKU: 913110



FEATURES

- Shower curtain rod ships in three pieces.
- Simple assembly required.
- Chrome, Polished Brass, Brushed Nickel and Oil Rubbed Bronze rods are plated over solid brass material.
- Includes one 36" ceiling support which may be cut to needed length.
- Brass rods include rectangular Jumbo Rod Flanges and mounting hardware.
- Includes heavy-duty flanges, set screws, mounting screws and wall anchors.
- Includes two rectangular Jumbo Rod Flanges. Packed in individual carton.
- Choose from 30" x 60", 48" x 60", and 72" x 36"

CONTENTS

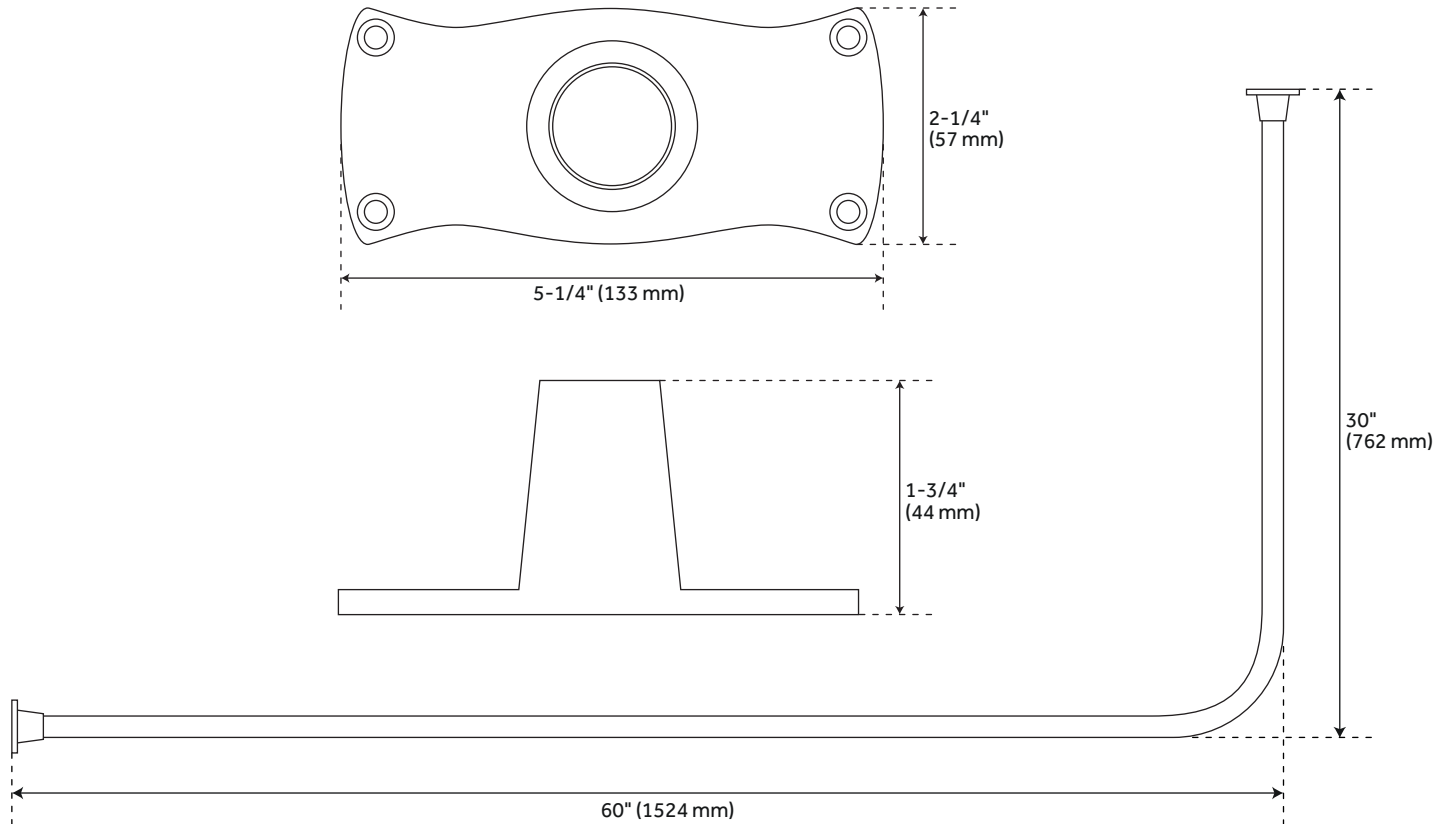
30" X 60" ROD	PAGE 2
48" X 60" ROD	PAGE 3
48" X 48" ROD	PAGE 4
72" X 36" ROD	PAGE 5
SUPPORT ROD	PAGE 6

REVISED 06/14/2021

30" x 60" SHOWER ROD

CORNER SOLID BRASS SHOWER CURTAIN ROD

SKU: 913110-30-60, 466797, 466798, 466799, 466800



FEATURES

- Length: 60"
- Width: 30"
- Flange Length: 4-7/8"
- Flange Width: 2-1/8"
- Material: Brass
- Metal Thickness: .6mm
- Assembly Required: Yes
- Rod may be cut to desired length
- Includes one 36" ceiling support which may be cut to needed length
- Brass rods include rectangular Jumbo Rod Flanges and mounting hardware

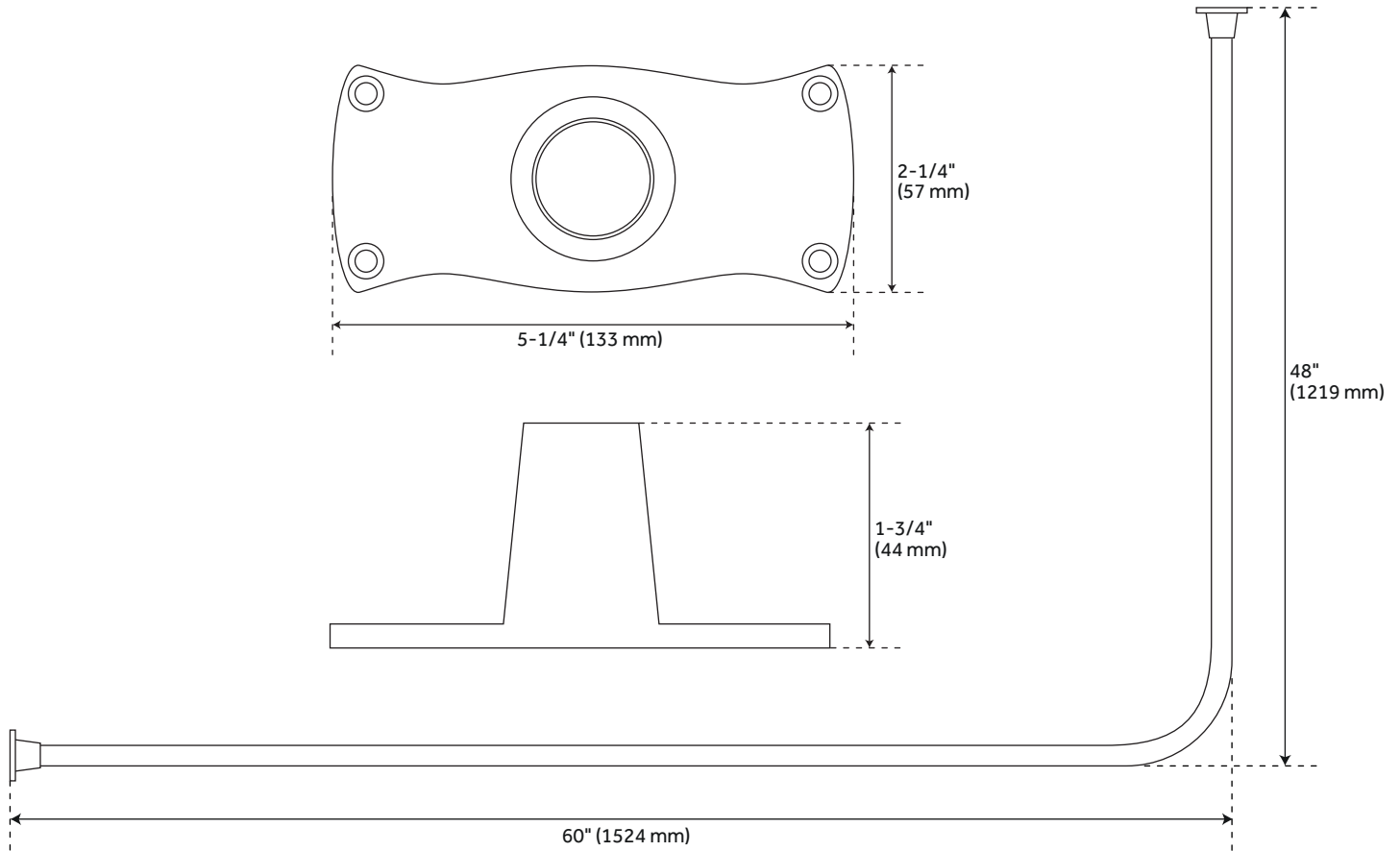
PRODUCT IMAGE



48" x 60" SHOWER ROD

CORNER SOLID BRASS SHOWER CURTAIN ROD

SKU: 913110-48-60, 466801, 466802, 466803, 466804



FEATURES

- Length: 60"
- Width: 48"
- Flange Length: 4-7/8"
- Flange Width: 2-1/8"
- Material: Brass
- Metal Thickness: .6mm
- Assembly Required: Yes
- Rod may be cut to desired length
- Includes one 36" ceiling support which may be cut to needed length
- Brass rods include rectangular Jumbo Rod Flanges and mounting hardware

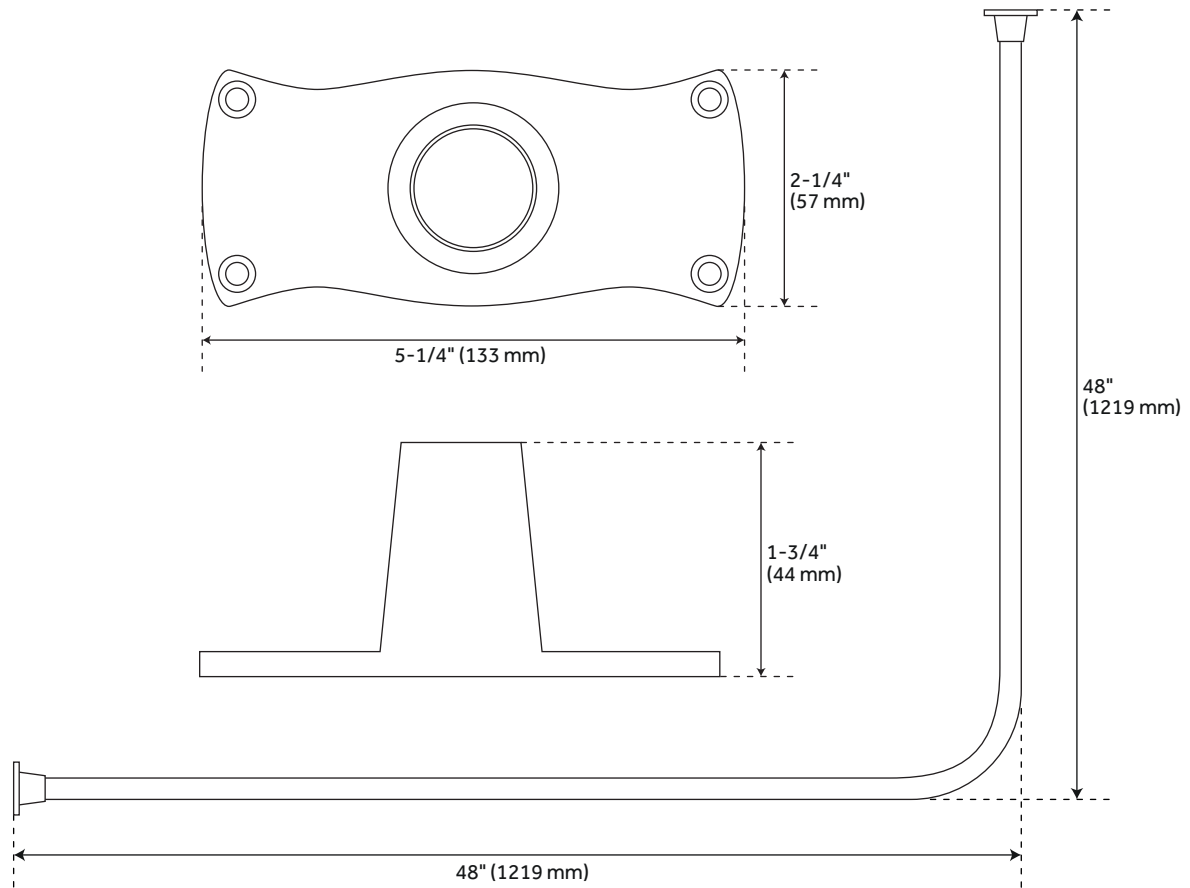
PRODUCT IMAGE



48" x 48" SHOWER ROD

CORNER SOLID BRASS SHOWER CURTAIN ROD

SKU: 913110-48-48, 466805, 466806, 466807, 466808



FEATURES

- Length: 48"
- Width: 48"
- Flange Length: 4-7/8"
- Flange Width: 2-1/8"
- Material: Brass
- Metal Thickness: .6mm
- Assembly Required: Yes
- Rod may be cut to desired length
- Includes one 36" ceiling support which may be cut to needed length
- Brass rods include rectangular Jumbo Rod Flanges and mounting hardware

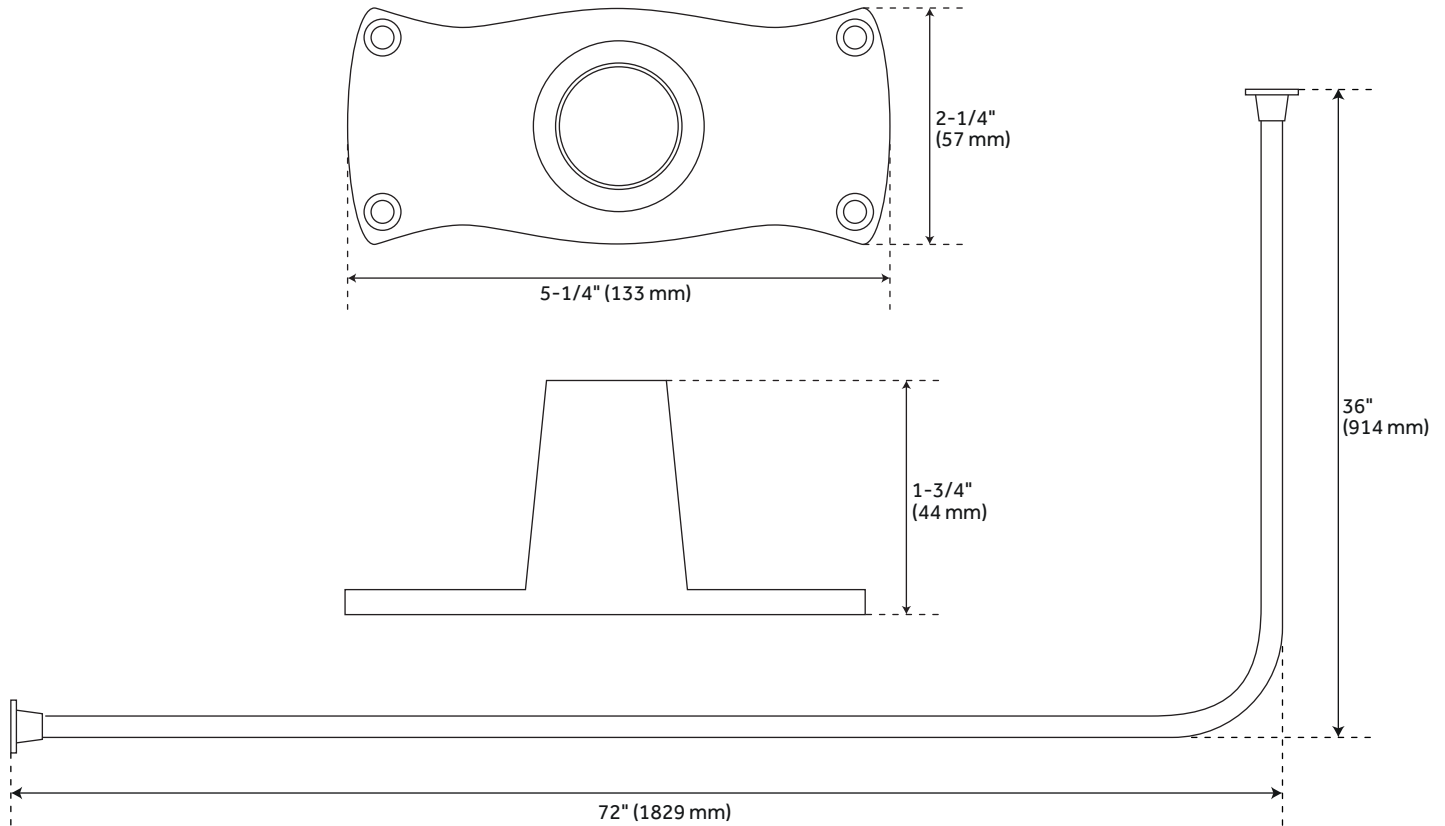
PRODUCT IMAGE



72" x 36" SHOWER ROD

CORNER SOLID BRASS SHOWER CURTAIN ROD

SKU: 913110, 466809, 466810, 466811, 466812



FEATURES

- Length: 72"
- Width: 36"
- Flange Length: 4-7/8"
- Flange Width: 2-1/8"
- Material: Brass
- Metal Thickness: .6mm
- Assembly Required: Yes
- Rod may be cut to desired length
- Includes one 36" ceiling support which may be cut to needed length
- Brass rods include rectangular Jumbo Rod Flanges and mounting hardware

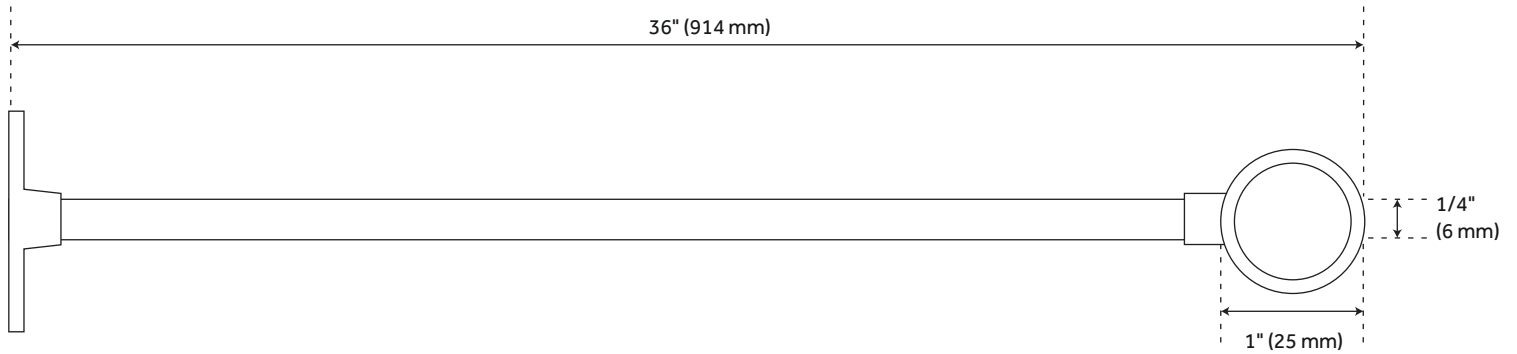
PRODUCT IMAGE



SUPPORT ROD

STANDARD SOLID STEEL SHOWER ROD CEILING SUPPORT

SKU: 900714



FEATURES

- Material: Steel
- Rod Length: 36"
- Rod Diameter: 1/4"
- Complete with eye loop and ceiling-mount flange.
- May be cut to fit ceiling height.

PRODUCT IMAGE

