

SHOWER ROD

CURVED SHOWER CURTAIN ROD

SKU: 911700



FEATURES

Rod may be shortened to desired length by trimming equal amounts from each end.

Packed in individual carton with two Shower Curtain Rod Swivel Flanges and installation materials.

Mounting hardware included.

For best fit, shower curtain should be 6" - 12" wider than shower rod.

To determine your rod size, measure straight across from wall to wall.

Curves in the rod and mounting brackets are already accounted for.

Choose from 48", 60", 66" and 72".

CONTENTS

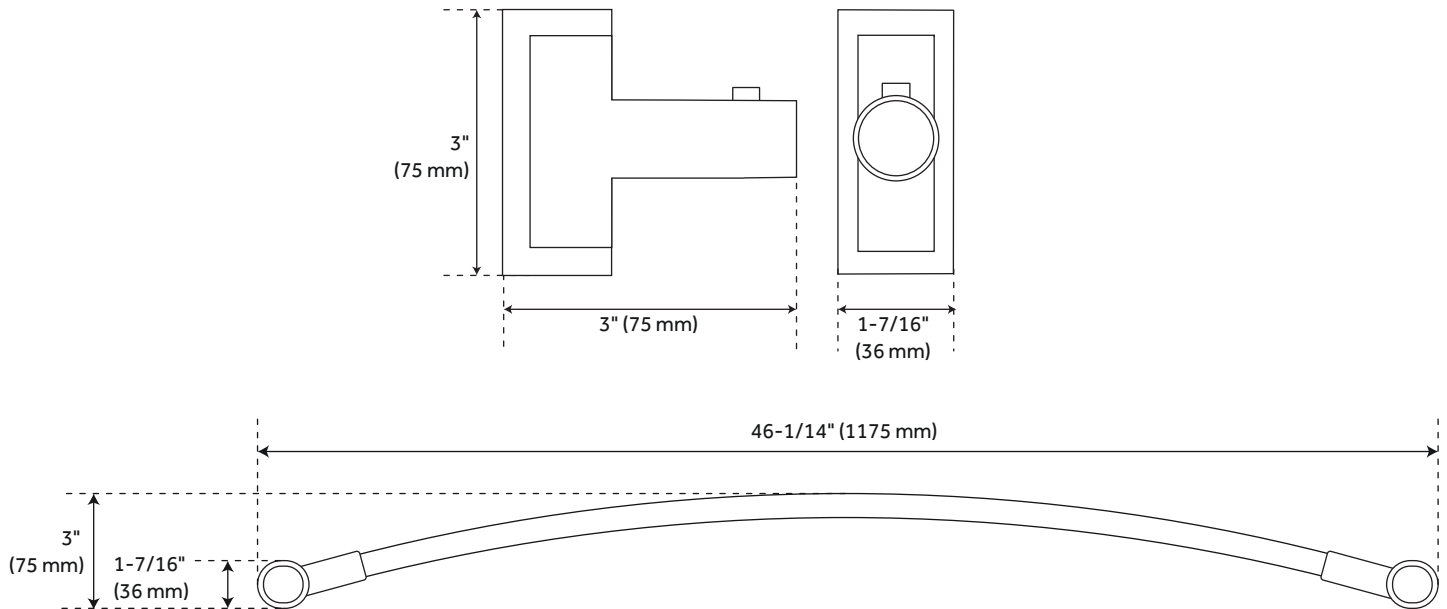
48" ROD	PAGE 2
60" ROD	PAGE 3
66" ROD	PAGE 4
72" ROD	PAGE 5

REVISED 06/14/2021

48" SHOWER ROD

CURVED SHOWER CURTAIN ROD

SKU: 911700-48, 466753, 466754, 466755, 466756, 466757



FEATURES

- Shower Rod Diameter: 1"
- Shower Rod Length: 46-1/4"
- Flange Length: 3"
- Flanges Width: 1-3/4"
- Flange Height: 2-1/4"
- Shower Rod Curves: 20°

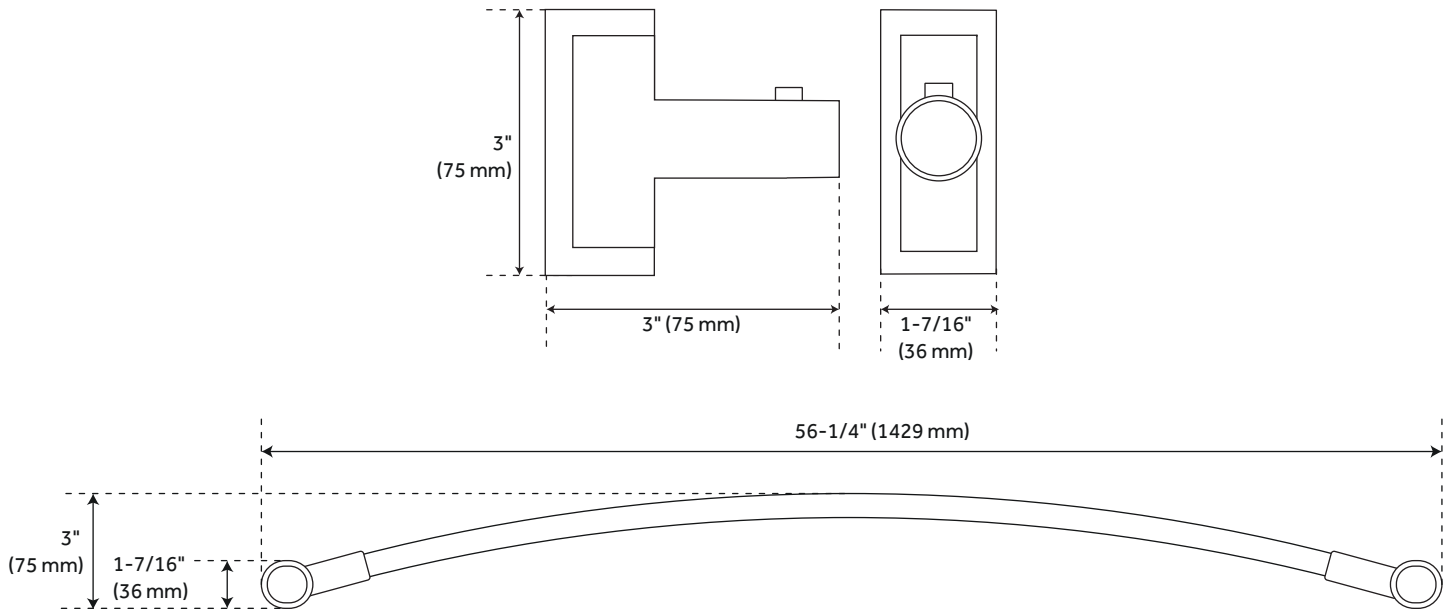
PRODUCT IMAGE



60" SHOWER ROD

CURVED SHOWER CURTAIN ROD

SKU: 911700-60, 466758, 466759, 466760, 466761, 466762



FEATURES

- Shower Rod Diameter: 1"
- Shower Rod Length: 56-1/4"
- Flange Length: 3"
- Flanges Width: 1-3/4"
- Flange Height: 2-1/4"
- Shower Rod Curves: 22°

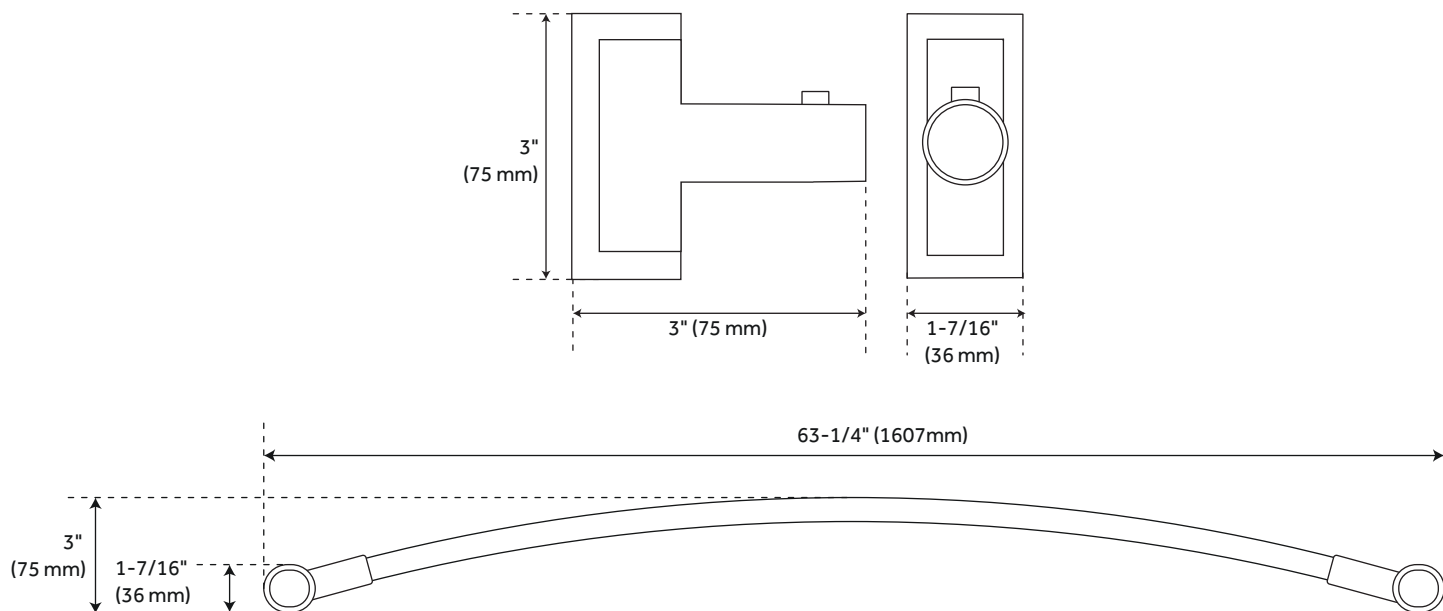
PRODUCT IMAGE



66" SHOWER ROD

CURVED SHOWER CURTAIN ROD

SKU: 911700-66, 466763, 466764, 466765, 466766, 466767



FEATURES

- Shower Rod Diameter: 1"
- Shower Rod Length: 63-1/4"
- Flange Length: 3"
- Flanges Width: 1-3/4"
- Flange Height: 2-1/4"
- Shower Rod Curves: 22°

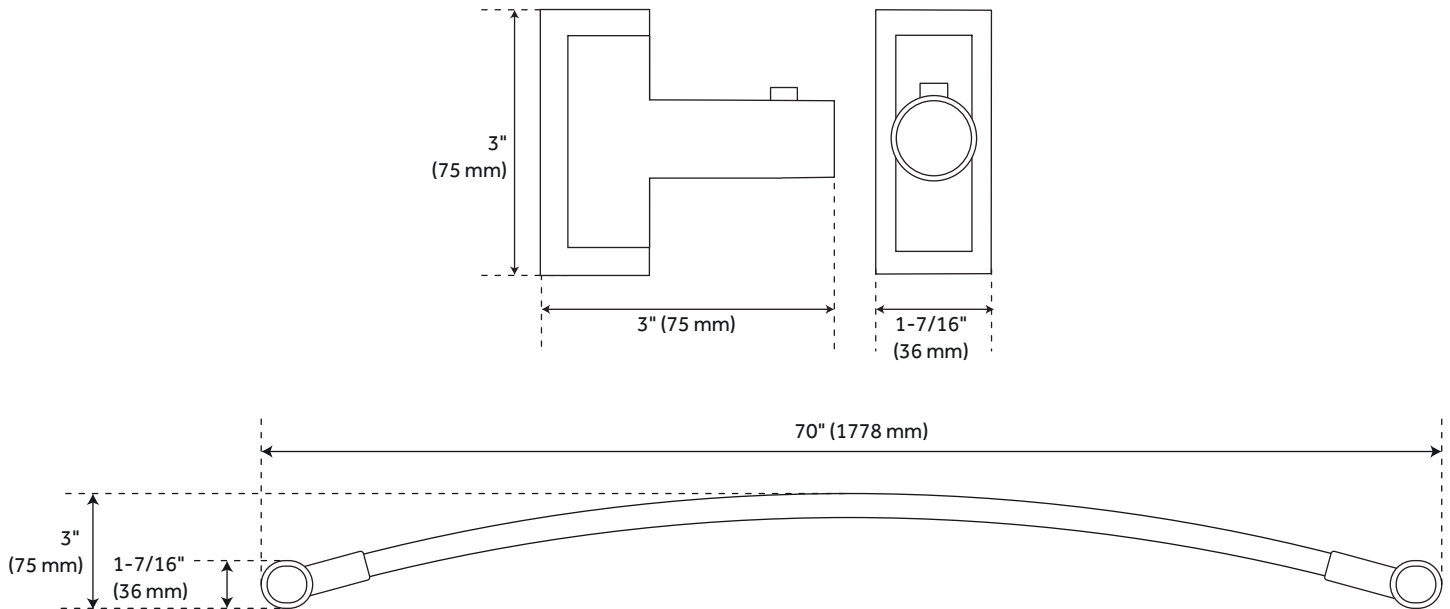
PRODUCT IMAGE



72" SHOWER ROD

CURVED SHOWER CURTAIN ROD

SKU: 911700-72, 466768, 466769, 466770, 466771, 466772



FEATURES

- Shower Rod Diameter: 1"
- Shower Rod Length: 70"
- Flange Length: 3"
- Flanges Width: 1-3/4"
- Flange Height: 2-1/4"
- Shower Rod Curves: 22°

PRODUCT IMAGE

