

DOUBLE CURVED ROD

60" CURVED DOUBLE SOLID BRASS SHOWER CURTAIN ROD

SKU: 911224



FEATURES

Polished Brass rods are made of brass and have a metal thickness of .6mm.

All other finishes are made of stainless steel and have a metal thickness of .7mm.

Rod may be shortened to desired length by trimming equal amounts from each end.

2-3/4" between rods.

Packed individually with Shower Curtain Rod Swivel Flanges and installation materials.

Mounting hardware included.

For best fit, shower curtain should be 6" - 12" wider than shower rod.

This shower rod curves at a 22-degree angle.

CONTENTS

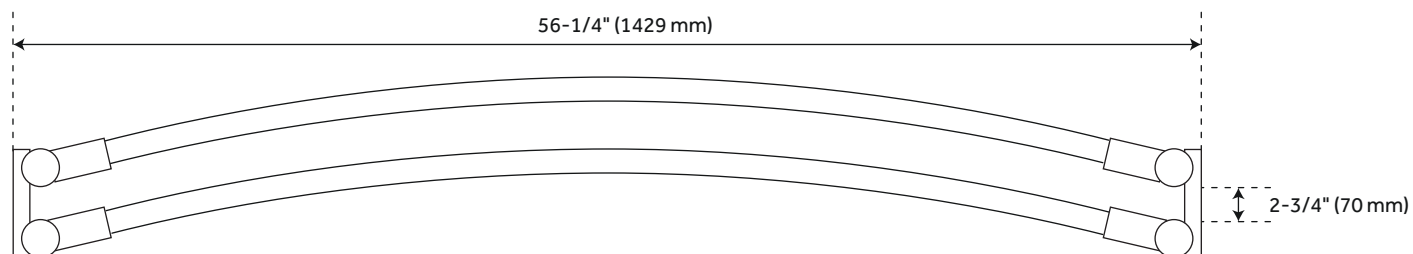
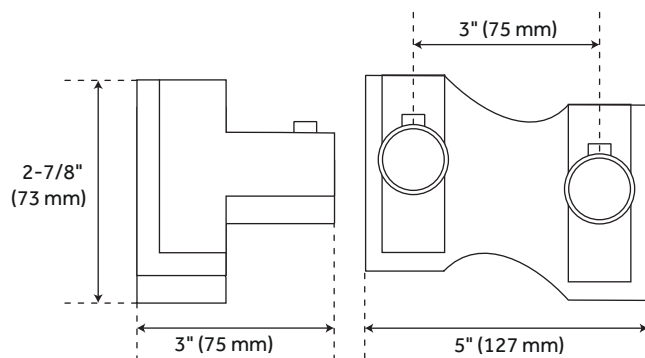
SHOWER ROD PAGE 2

REVISED 06/14/2021

DOUBLE CURVED ROD

60" CURVED DOUBLE SOLID BRASS SHOWER CURTAIN ROD

SKU: 911224, 466777, 466778, 466779, 466780



FEATURES

- Length: 56-1/4"
- Flange Length: 4-3/4"
- Flange Width: 5"
- Flange Height: 2-7/8"
- Shower Rod Curve: 22°

PRODUCT IMAGE

