

Specifications



PFSK46 series

SHOWER ARM WITH FLANGE

Product Features

- Brass construction shower arm
- 1/2" (12.7mm) diameter NPT on both ends
- Includes 1/2" (12.7mm) IPS sure grip flange
- cUPC / IAPMO listed

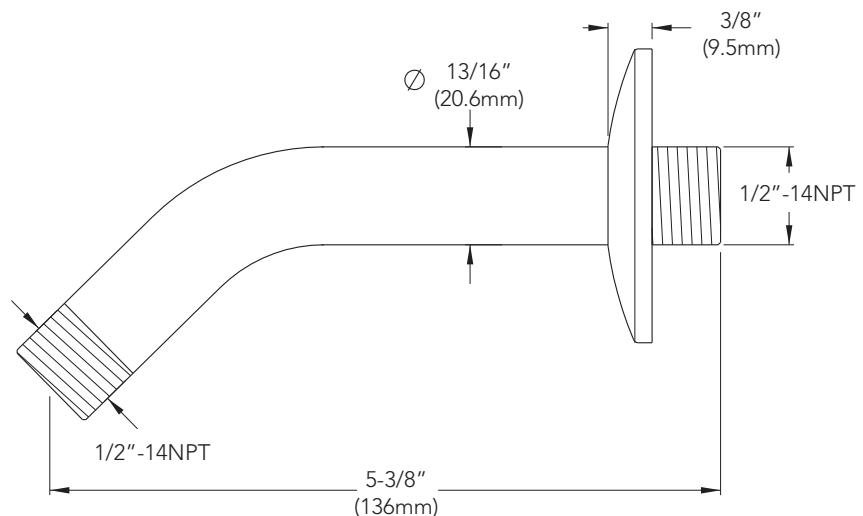
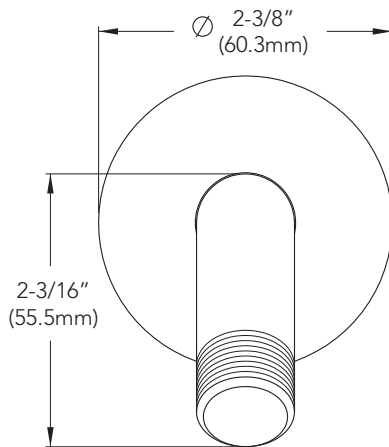


Model Numbers

PFSK46CP	Chrome
PFSK46ZBN	Brushed nickel
PFSK46MB	Matte black
PFSK46ORB	Oil rubbed bronze

Product Specifications

PFSK46CP



* All measurements are nominal. Please verify before actual installation.

Warranty and Codes

This product comes complete with installation, operating, care and maintenance instructions. This PROFLO faucet carries a limited lifetime warranty when installed in residential applications. The warranty is five years in commercial applications.

