

ORRS

PFWSC8881 SINGLE HANDLE LAVATORY FAUCET



Product Features

- Max. flow rate: 1.2 gpm (4.54 L/min) at 60 psi
- Brass construction
- Ceramic disc cartridge
- 50/50 pop-up drain assembly
- Single-hole installation

Optional Parts

Deck Plate	OBF1ATBQ0308*
1.0 GPM Aerator	Neoperl 42.3058.033
Drain Lift Rod Extension	PF351NA

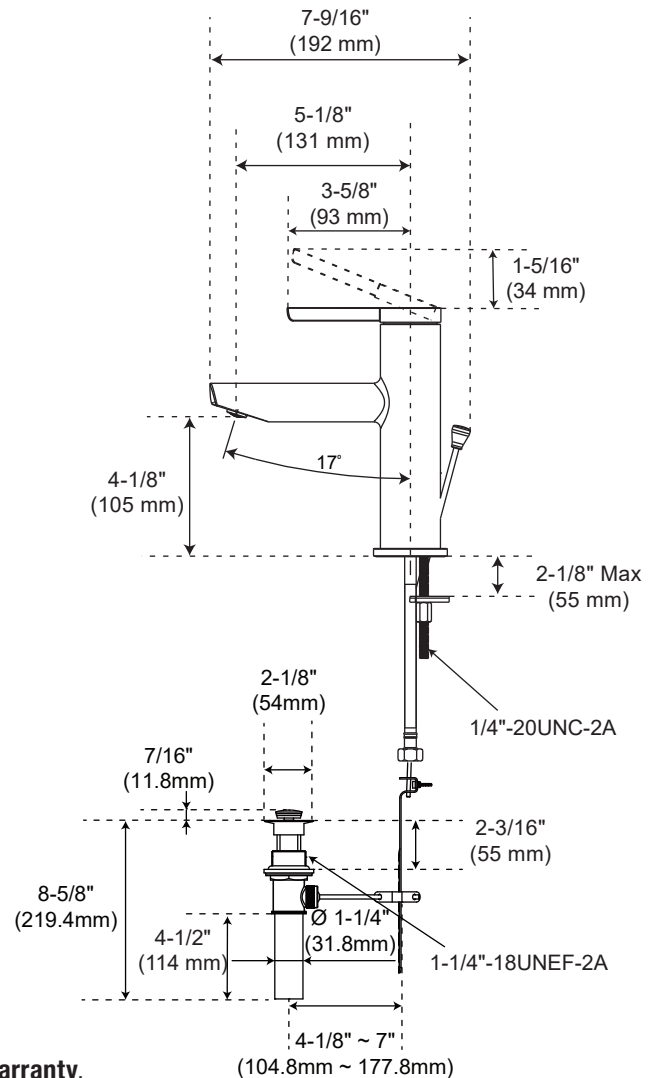
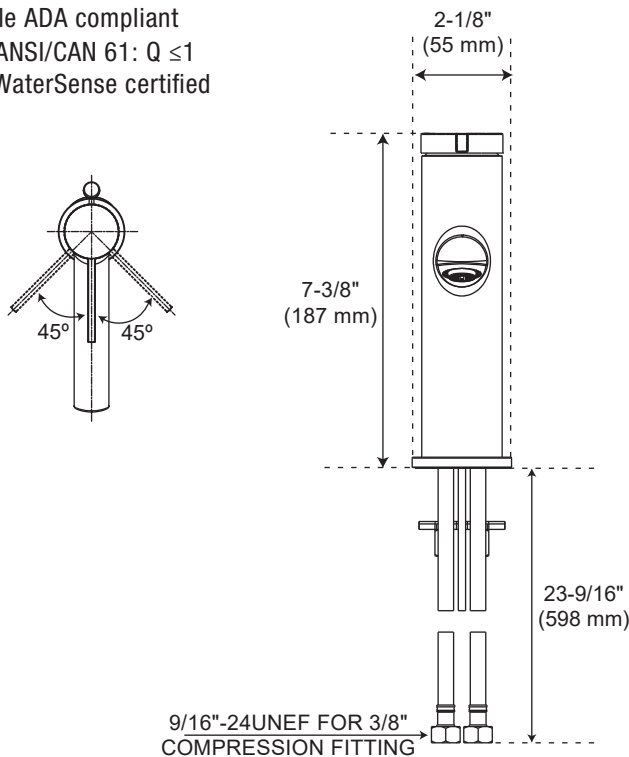


Codes and Certifications

PFWSC8881



- Certified to ASME A112.18.1 / CSA B125.1
- cUPC/IAPMO listed
- Handle ADA compliant
- NSF/ANSI/CAN 61: Q ≤ 1
- EPA WaterSense certified



For detailed warranty information, visit ferguson.com/proflo-faucet-warranty.