



BRADFORD WHITE[®]
W A T E R H E A T E R S

COMMERCIAL REPLACEMENT PARTS LIST

**High Efficiency
Commercial Gas Water Heater**



EF120T4003(N,X)(A)3
EF120T5003(N,X)(A)3

Includes Hydrojet[®]
Total Performance System

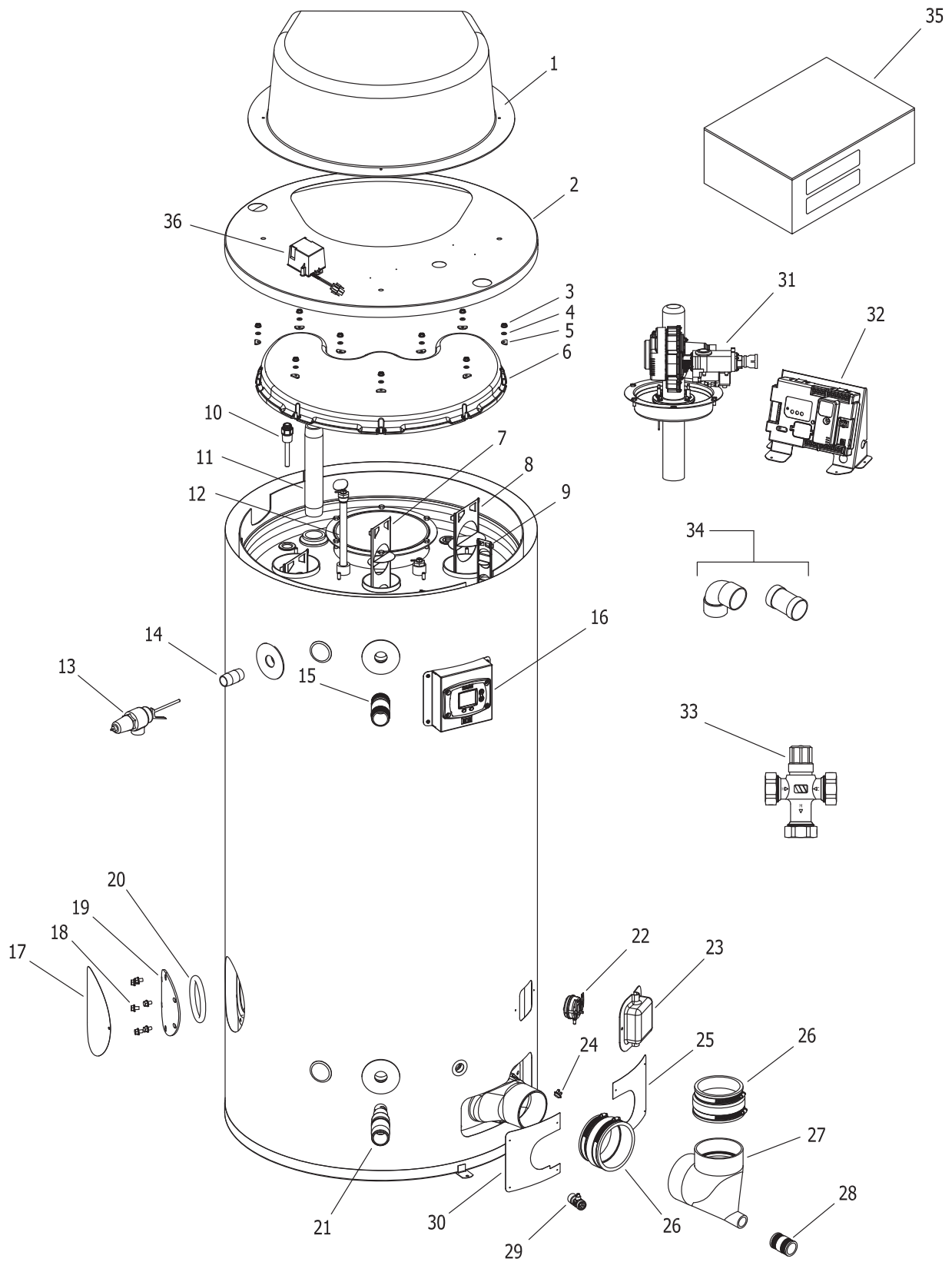
Effective: JANUARY 2021
ECO 8160-2

**NOTE: BOTH MODEL AND SERIAL
NUMBERS ARE REQUIRED FOR
ORDERING REPLACEMENT PARTS**

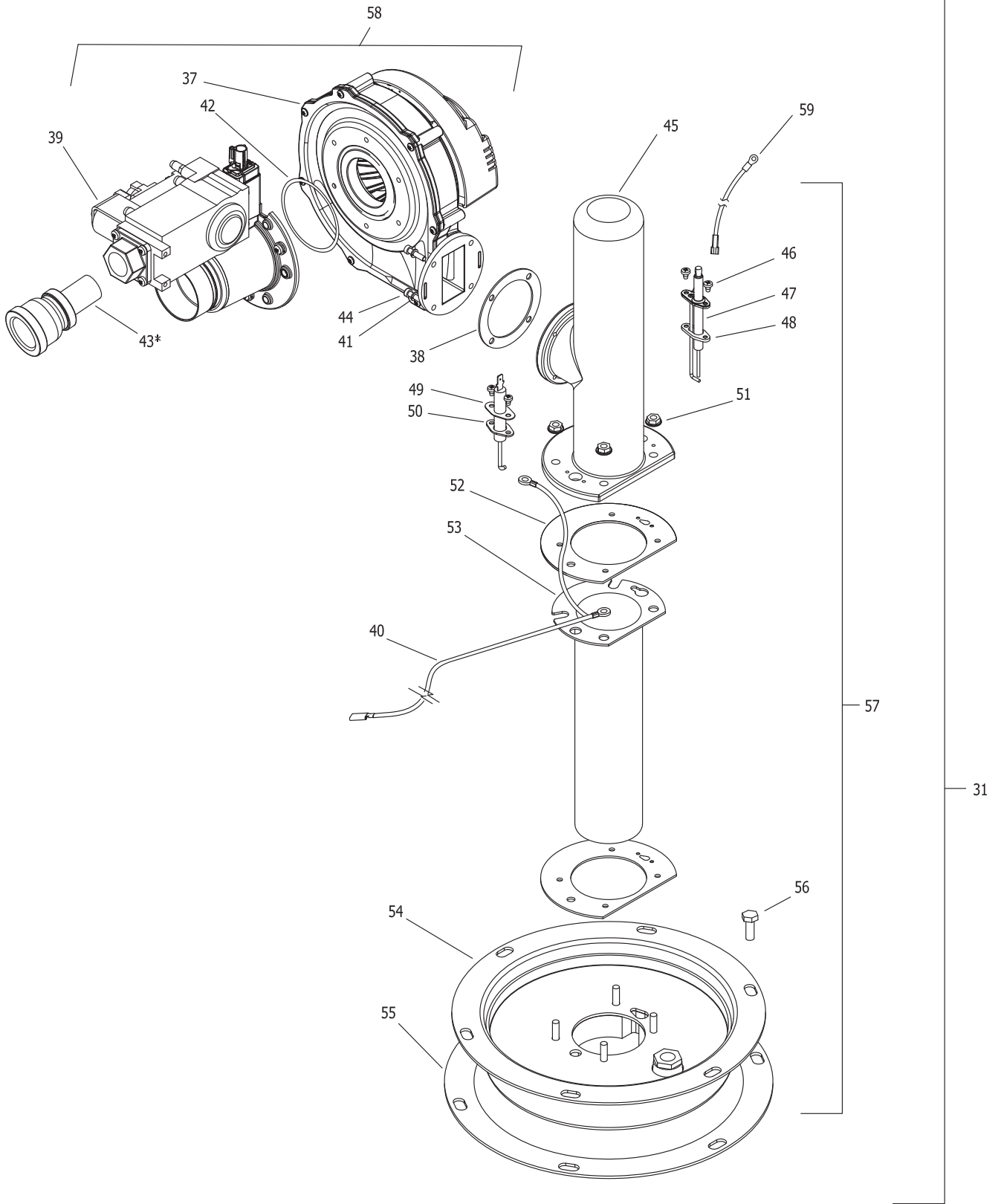
Dimensions and specifications
subject to change without notice.

WARNING
CANCER AND REPRODUCTIVE HARM
WWW.P65WARNINGS.CA.GOV

As required by the state of California Proposition 65.



Item	Description	Model
		EF120T4003(N,X)
1	Surround with Latches	239-53581-00
2	Jacket Head	239-53427-00
3	Hex Nut Flange 1/4-20 (9 req'd)	239-53848-00
4	Cone Washer (9 req'd)	239-53773-00
5	T-Washer (9 req'd)	239-53854-00
6	Exhaust Collector	239-53037-00
7	Baffle 4" Flue (1 req'd)	239-53876-00
8	Baffle 5" Flue (2 req'd)	239-53308-00
9	Baffle 2" Flue (19 req'd)	239-45658-00
10	Sensor Well	233-46558-01
11	Top Outlet Nipple	229-40913-01
12	Power Anode (2 req'd)	224-53839-00
13	T&P Valve	230-33630-04
14	T&P Nipple	229-50053-02
15	Front Outlet Nipple	229-40913-02
16	Control Display Assembly	SEE PAGE 6
17	Cleanout Cover Access	243-20299-00
18	Screw 5/16 - 18 x 3/4 (6 req'd)	239-32970-00
19	Cleanout Cover	205-18428-00
20	Cleanout Gasket	205-18427-00
21	Inlet Diptube	229-53188-00
22	Exhaust Pressure Switch	239-46037-01
23	Pressure Switch Cover	239-80281-03
24	Exhaust Limit Switch	239-43238-03
25	Service Door Right	239-53487-00
26	Exhaust Coupler	239-53384-00
27	Condensate Elbow	239-53041-00
28	Condensate Coupler	239-53385-00
29	Drain Valve	227-48070-02
30	Service Door Left	239-53486-00
31	Burner Assembly (Specify Model)	SEE PAGE 4
32	Control Panel Assembly	SEE PAGE 6
33	Thermostatic Mixing (Optional)	239-51778-00
34	Intake/Exhaust Vent Terminals	239-53455-00
35	BMS Gateway Kit	415-53943-00
36	Spark Generator	264-54000-00



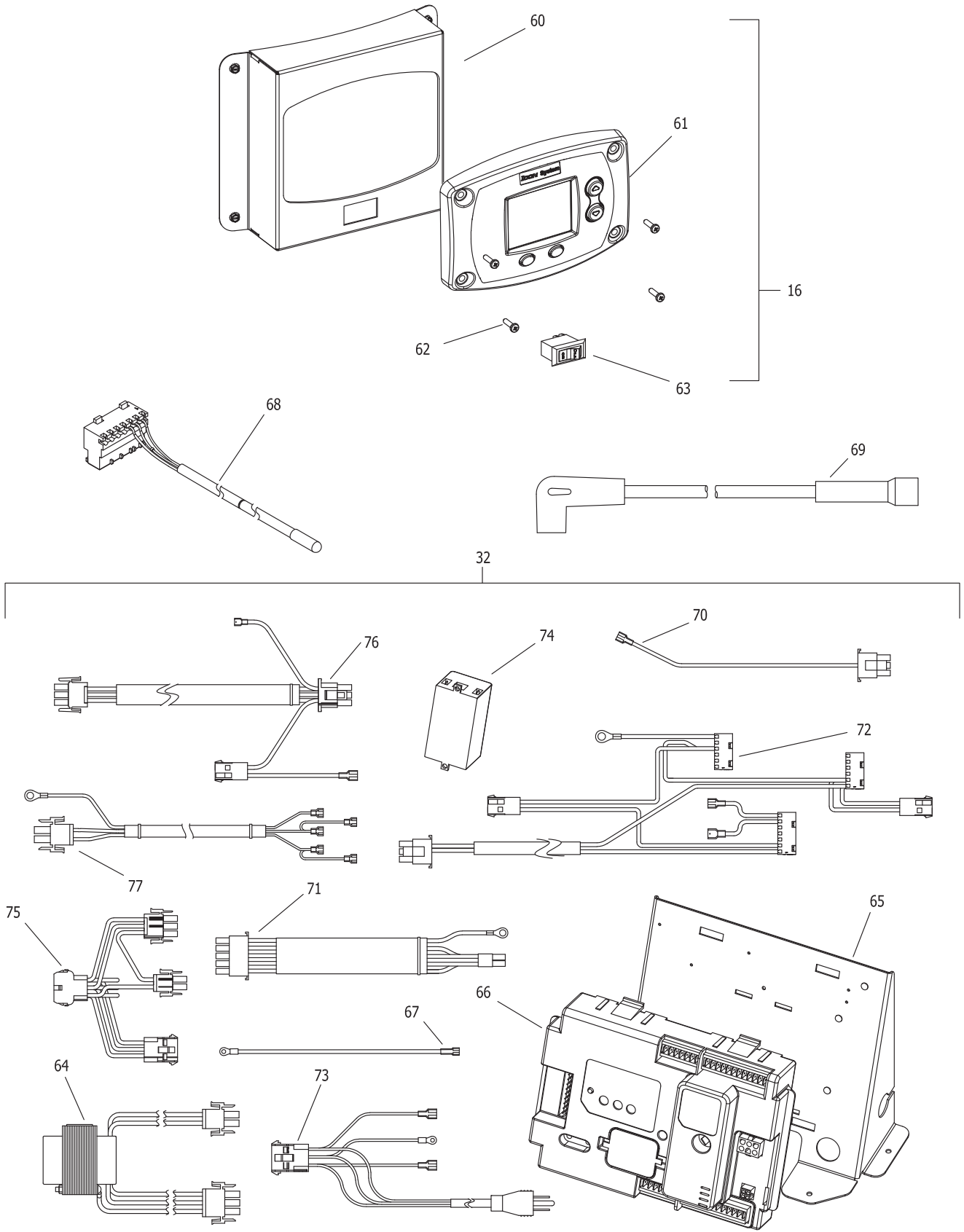
Item	Description	Model
		EF120T4003(N,X)
31	Assy-Complete Combustion System (NAT)*	243-54073-01
	Assy-Complete Combustion System (LP)*	243-54073-02
37	Blower w/Gasket	415-51310-00
38	Blower Transition Gasket	239-43241-00
39	Venturi & Gas Valve Assembly (NAT)	243-53478-01
	Venturi & Gas Valve Assembly (LP)	243-53478-02
40	Ground Wire	239-51994-00
41	Washer - #10 Lockwasher (4 req'd)	239-18461-00
42	Venturi Gasket ◊	239-51397-00
43	Gas Piping assembly*	243-53497-00
44	Screw 10-32 x .75 Skt Head Cap (4 req'd)	239-43273-00
45	Transition Tube Blower to Burner	239-54053-00
46	Screw - #8-32 x 1/4 (4 req'd)	239-43272-00
47	Spark Rod	239-54006-00
48	Gasket Spark Rod	239-53982-00
49	Flame Sensor w/Gasket	415-43232-00
50	Gasket Flame Sensor	239-43371-00
51	Nut Hex Washer 1/4-20 Serrated(4 req'd for Trans Tube)	239-43297-00
52	Gasket Burner (2 req'd)●	239-54054-00
53	Burner w/Gasket	265-53033-00
54	Burner Mounting Assembly	239-53027-00
55	Combustion Assembly Gasket	239-53445-00
56	Screw 5/16-18 x 3/4 (5 req'd)	239-32970-00
57	Burner Assembly *	243-54057-00
58	Blower and Gas Valve Assembly (NAT)*	243-53480-01
	Blower and Gas Valve Assembly (LP)*	243-53480-02
59	Spark Rod Ground Wire	239-38951-92

* Ordering a complete assembly may increase delivery time.
Please order the specific component required for the quickest delivery.

◊ Included with Item 35 & 37

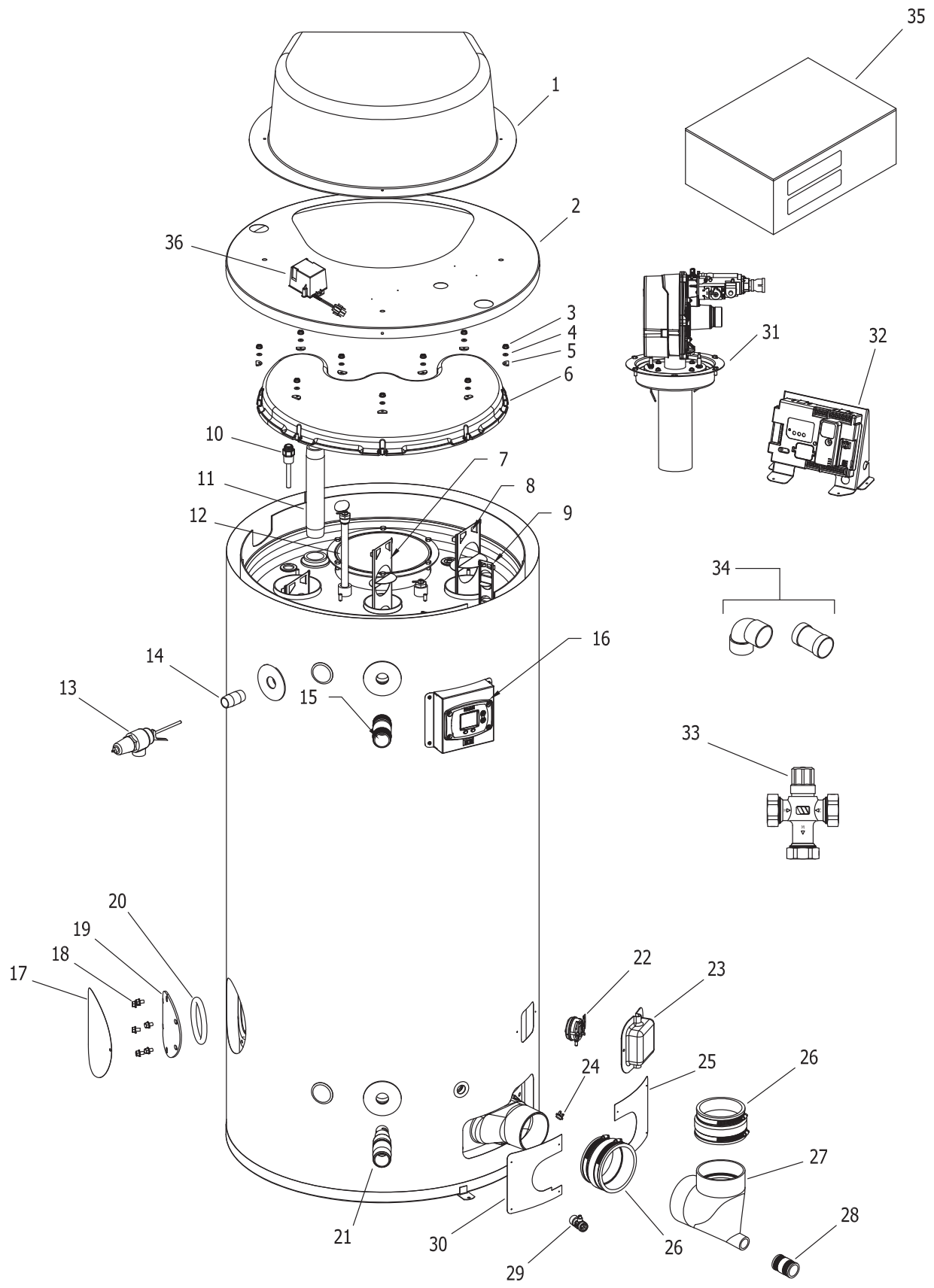
● Included with Items 51 & 55

* To be purchased separately

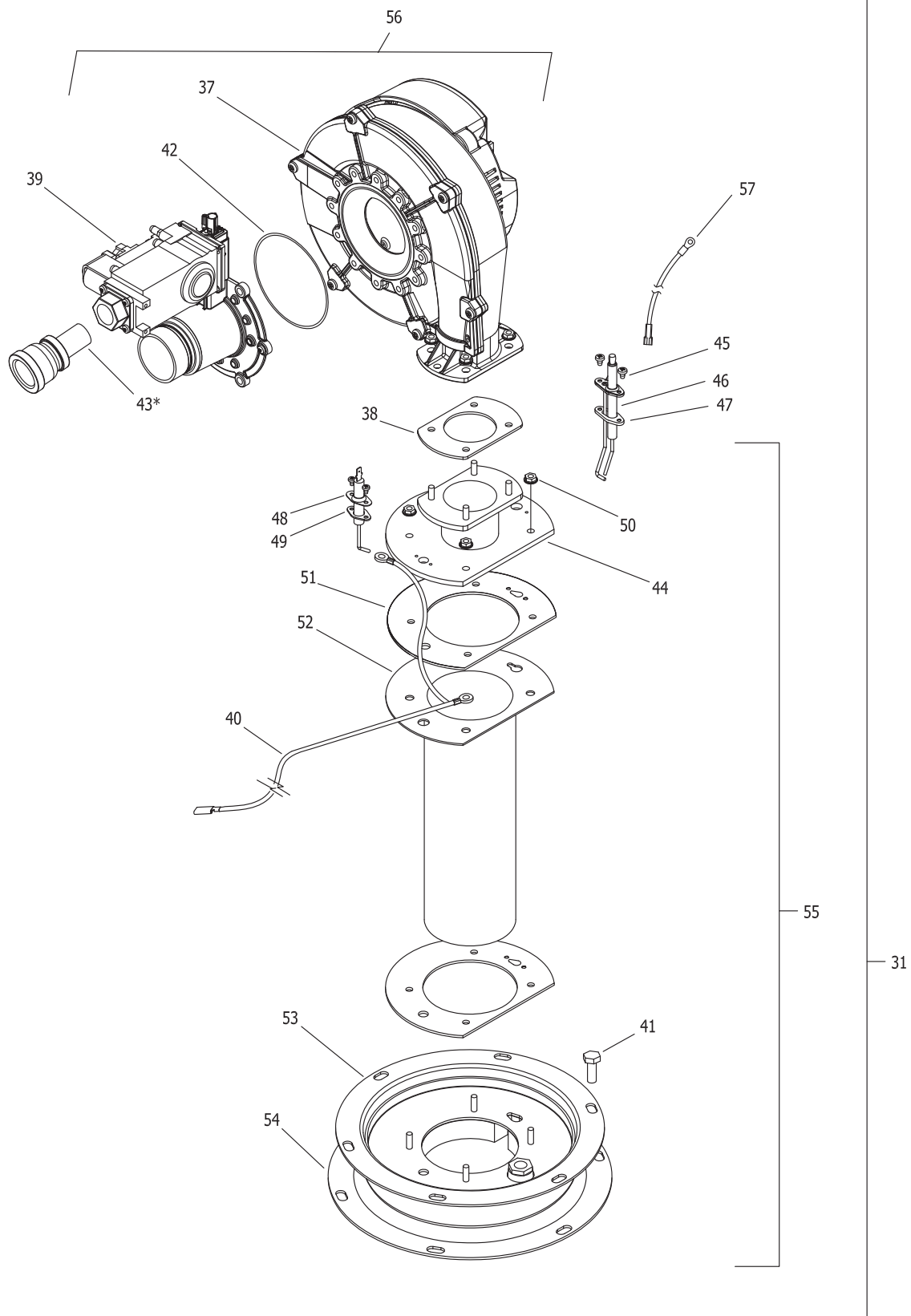


Item	Description	Model
		EF120T4003(N,X)
16	Display Assembly*	243-51213-00
60	Display Mount	239-50508-00
61	Control Display-Honeywell Integrated Control w/Harness	415-48231-00
62	Screw-#8-18 X .75 for Control Display (4 req'd)	239-41104-00
63	Main Power Switch	239-50586-00
32	Control Assembly*	243-54058-01
64	Transformer 120V to 24V	233-50559-00
65	Control Panel	239-50514-00
66	Control Board Module (SOLA)	233-54072-01
67	Ground Wire	239-38951-91
68	T-Stat Sensor Harness	239-53458-00
69	High Voltage Spark Cable	239-53456-00
70	Flame Sensor Wire	239-48237-00
71	Blower Modulation Harness	239-48170-00
72	Ignition Control Harness	239-53930-00
73	Power Cord Harness	239-53464-00
74	Power Anode Module	239-46229-00
75	Power Switch Harness	239-53459-00
76	Blower Power Harness	239-53931-00
77	Gas Valve Harness	239-53461-00

* Ordering a complete assembly may increase delivery time.
Please order the specific component required for the quickest delivery.



Item	Description	Model
		EF120T5003(N,X)
1	Surround with Latches	239-53581-00
2	Jacket Head	239-53427-00
3	Hex Nut Flange 1/4-20 (9 req'd)	239-53848-00
4	Cone Washer (9 req'd)	239-53773-00
5	T-Washer (9 req'd)	239-53854-00
6	Exhaust Collector	239-53037-00
7	Baffle 4" Flue (1 req'd)	239-53876-00
8	Baffle 5" Flue (2 req'd)	239-53308-00
9	Baffle 2" Flue (19 req'd)	239-45658-00
10	Sensor Well	233-46558-01
11	Top Outlet Nipple	229-40913-01
12	Power Anode (2 req'd)	224-53839-00
13	T&P Valve	230-33630-04
14	T&P Nipple	229-50053-02
15	Front Outlet Nipple	229-40913-02
16	Control Display Assembly	SEE PAGE 12
17	Cleanout Cover Access	243-20299-00
18	Screw 5/16 - 18 x 1/2 (6 req'd)	239-32970-00
19	Cleanout Cover	205-18428-00
20	Cleanout Gasket	205-18427-00
21	Inlet Diptube	229-53188-00
22	Exhaust Pressure Switch	239-46037-01
23	Pressure Switch Cover	239-80281-03
24	Exhaust Limit Switch	239-43238-03
25	Service Door Right	239-53487-00
26	Exhaust Coupler	239-53384-00
27	Condensate Elbow	239-53041-00
28	Condensate Coupler	239-53385-00
29	Drain Valve	227-48070-02
30	Service Door Left	239-53486-00
31	Burner Assembly (Specify Model)	SEE PAGE 10
32	Control Panel Assembly	SEE PAGE 12
33	Thermostatic Mixing (Optional)	239-51778-00
34	Exhaust/Intake Vent Terminals	239-53455-00
35	BMS Gateway Kit	415-53943-00
36	Spark Generator	264-54000-00



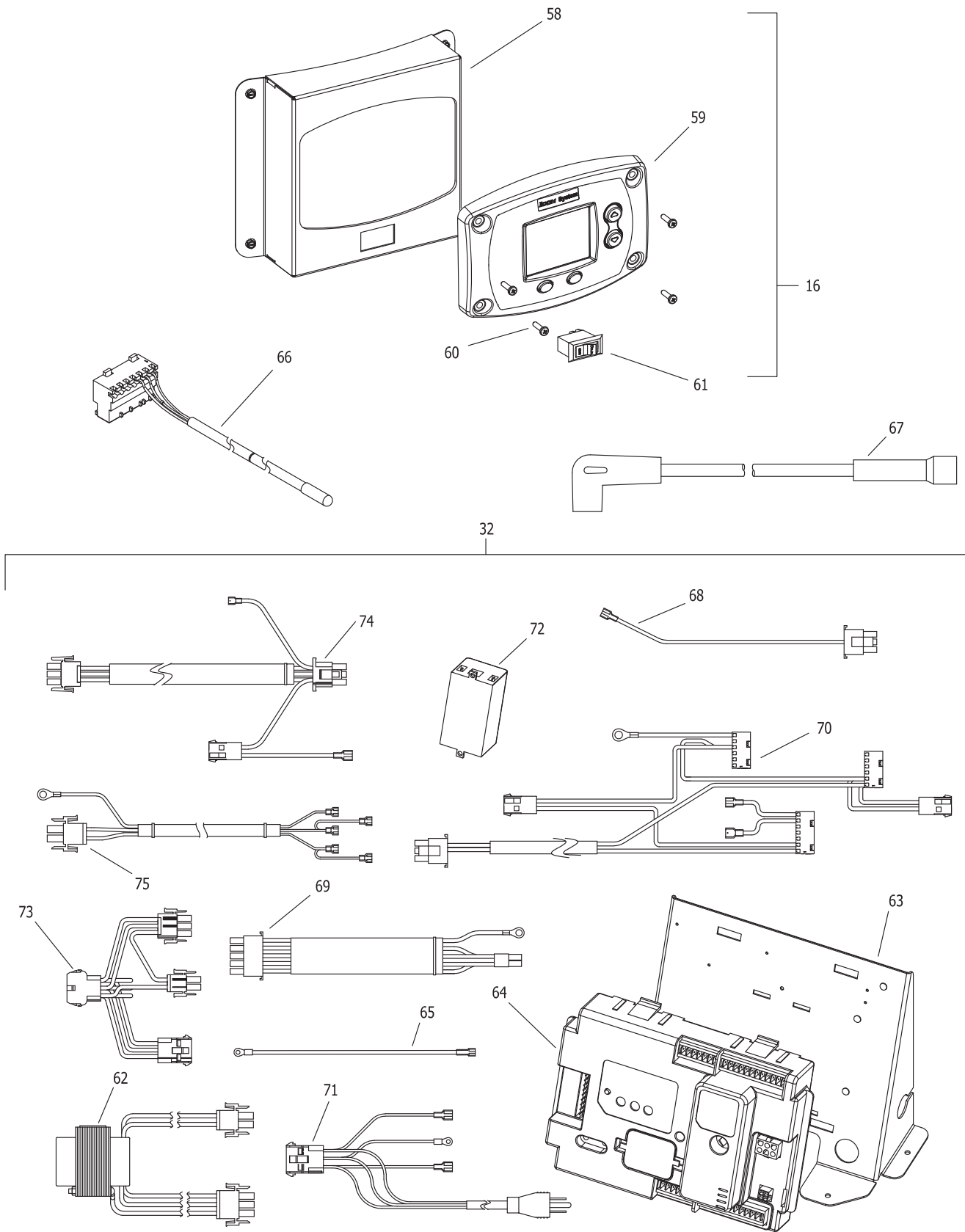
Item	Description	Model
		EF120T5003(N,X)
31	Assy-Complete Combustion System (Nat)*	243-54074-01
	Assy-Complete Combustion System (LP)*	243-54074-02
37	Blower w/Gasket	415-53065-00
38	Blower Transition Gasket	239-53444-00
39	Venturi & Gas Valve Assembly (Nat)	243-53479-01
	Venturi & Gas Valve Assembly (LP)	243-53479-02
40	Ground Wire	239-53462-00
41	Screw 5/16-18 x 3/4 (5 req'd)	239-32970-00
42	Venturi Gasket ◊	239-53064-00
43	Gas Piping assembly*	243-53497-00
44	Transition Tube Blower to Burner	239-54064-00
45	Screw - #8-32 x 1/4 (4 req'd)	239-43272-00
46	Spark Rod	233-54007-00
47	Gasket Spark Rod	239-53982-00
48	Flame Sensor w/Gasket	415-53438-00
49	Gasket Flame Sensor	239-43371-00
50	Nut Hex Washer 1/4-20 serrated (4 req'd for Trans Tube)	239-43297-00
51	Gasket Burner (2 req'd) ●	239-54055-00
52	Burner w/Gasket	265-53399-00
53	Burner Mounting Assembly	239-53028-00
54	Combustion Assembly Gasket	239-53445-00
55	Burner Assembly *	243-54059-00
56	Blower and Gas Valve Assembly (Nat)*	243-53481-01
	Blower and Gas Valve Assembly (LP)*	243-53481-02
57	Spark Rod Ground Wire	239-38951-92

* Ordering a complete assembly may increase delivery time. Please order the specific component required for the quickest delivery.

◊ Included with Item 35 & 37

● Included with Items 52 & 31

* To be purchased separately



Item	Description	Model
		EF120T5003(N,X)
16	Display Assembly*	243-51213-00
32	Control Panel Assembly*	243-54058-02
58	Display Mount	239-50508-00
59	Control Display-Honeywell Integrated Control	415-48231-00
60	Screw-#8-18 X .75 for Control Display (4 req'd)	239-41104-00
61	Main Power Switch	239-50586-00
62	Transformer 120V to 24V	233-50559-00
63	Control Panel	239-50514-00
64	Control Board Module (SOLA)	233-54072-02
65	Ground Wire	239-38951-91
66	T-Stat Sensor Harness	239-53458-00
67	High Voltage Spark Cable	239-53456-00
68	Flame Sensor Wire	239-48237-00
69	Blower Modulation Harness	239-48170-00
70	Ignition Control Harness	239-53930-00
71	Power Cord Harness	239-53464-00
72	Power Anode Module	239-46229-00
73	Power Switch Harness	239-53459-00
74	Blower Power Harness	239-53931-00
75	Gas Valve Harness	239-53461-00

* Ordering a complete assembly may increase delivery time.
Please order the specific component required for the quickest delivery.



United States

Sales 800-523-2931

Technical Support 800-334-3393

Email techserv@bradfordwhite.com

Warranty 800-531-2111

Email warranty@bradfordwhite.com

Service Parts 800-538-2020

Email parts@bradfordwhite.com

Canada

Sales & Technical Support 866-690-0961 905-03-0600

Fax 905-636-0666

Warranty bwccwarranty@bradfordwhite.com

Technical Support bwccotech@bradfordwhite.com

Service Parts orders@bradfordwhitecanada.com

Orders ca.orders@bradfordwhite.com

For U.S. and Canada field service,
contact your professional installer or
local Bradford White sales representative.

International

General Contact international@bradfordwhite.com