

# 60" PALMHURST

SHOWER TRAY WITH LINEAR DRAIN - RIGHT HAND

SKU: 949088-R



## FEATURES

- Material: Acrylic
- Shape: Rectangle
- Assembly Required: No
- Tray Is Not Reversible
- Integral Tile Flange
- Textured Slip Resistant Surface
- Optional Finished Linear Drain Cover

## CONTENTS

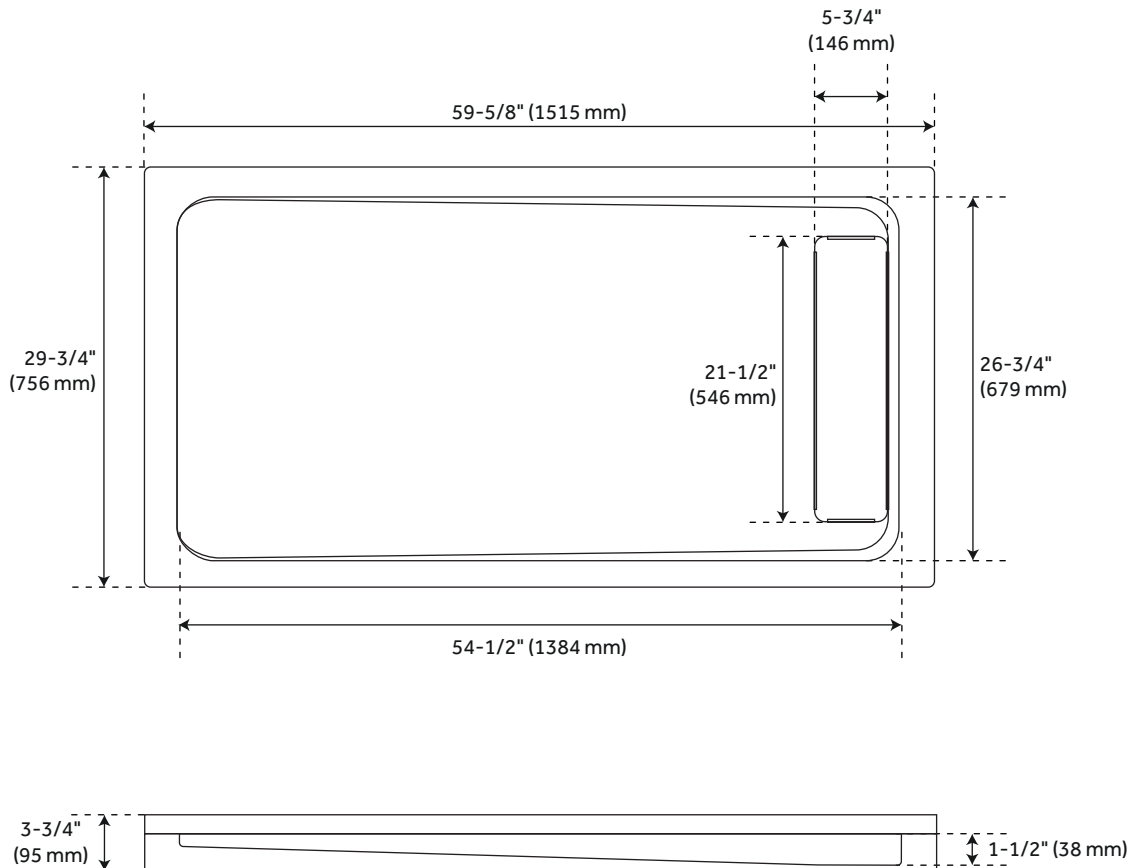
60" X 30" TRAY .....	PAGE 2
60" X 32" TRAY .....	PAGE 3
OPTIONAL DRAIN COVER .....	PAGE 4

REVISED 02/15/2021

# 60" PALMHURST

SHOWER TRAY WITH LINEAR DRAIN - RIGHT HAND - 60" X 30"

SKU: 949088-R



## FEATURES

Length: 59-5/8"  
Width: 29-3/4"  
Height: 3-3/4"  
Linear Drain Length: 21-1/2"  
Linear Drain Width: 5-3/4"

## CODES/STANDARDS

cUPC  
CSA B45.5/IAPMO Z124  
Massachusetts Accepted

## PRODUCT IMAGE



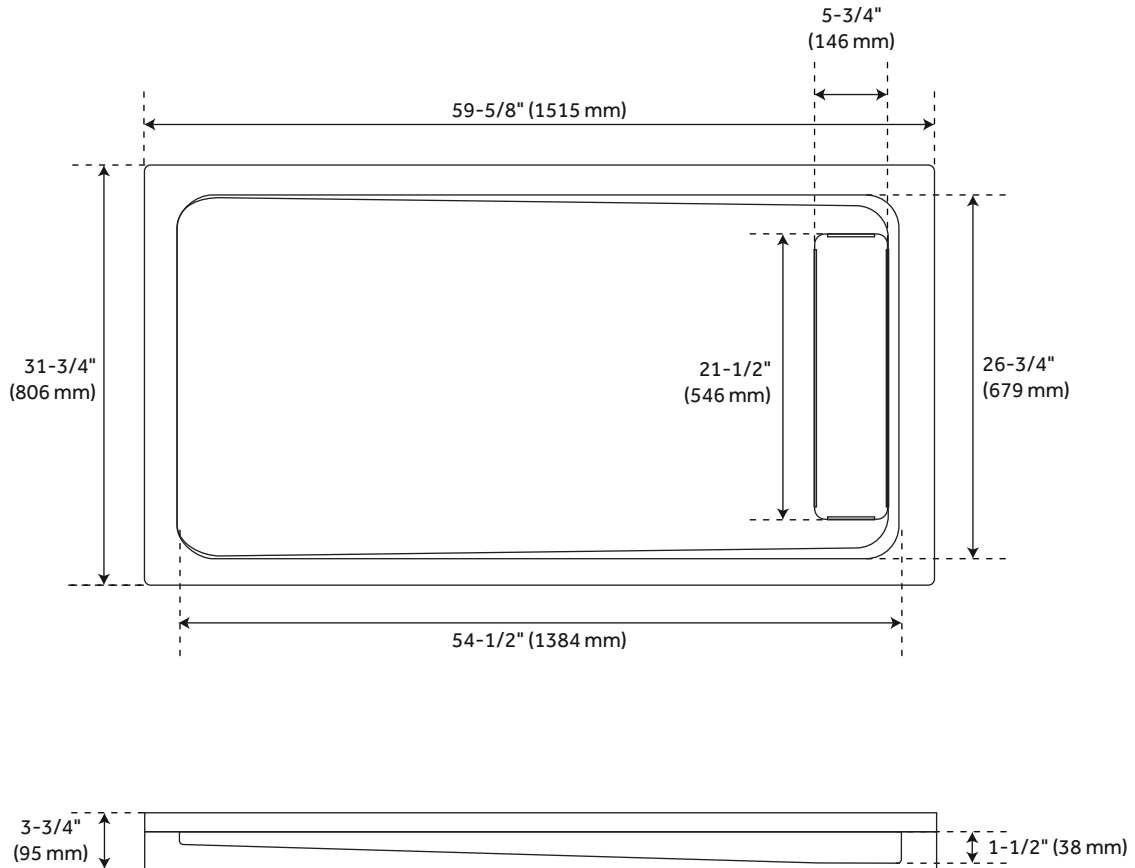
All dimensions and specifications are nominal and may vary. Use actual products for accuracy in critical situations.

PAGE 2  
Code: SHSB6030RCDWH

# 60" PALMHURST

SHOWER TRAY WITH LINEAR DRAIN - RIGHT HAND- 60" X 32"

SKU: 949088-R



## FEATURES

Length: 59-5/8"  
Width: 31-3/4"  
Height: 3-3/4"  
Linear Drain Length: 21-1/2"  
Linear Drain Width: 5-3/4"

## CODES/STANDARDS

cUPC  
CSA B45.5/IAPMO Z124  
Massachusetts Accepted

## PRODUCT IMAGE



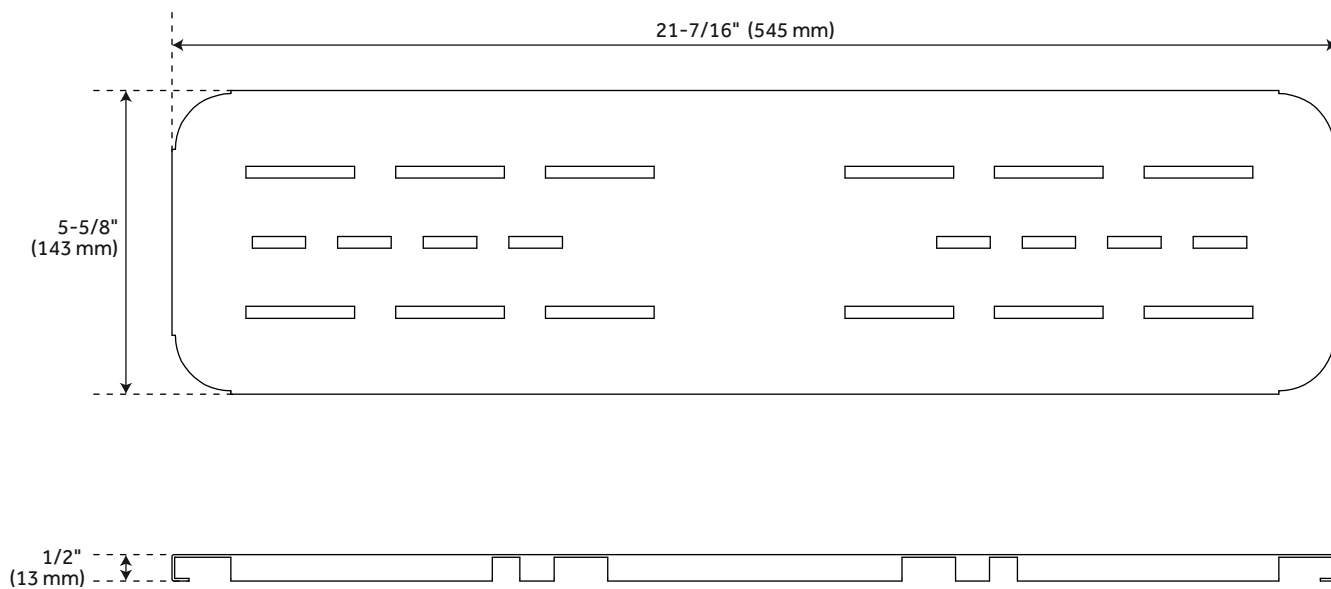
All dimensions and specifications are nominal and may vary. Use actual products for accuracy in critical situations.

PAGE 3  
Code: SHSB6032RCDWH

# PALMHURST

## OPTIONAL FINISHED LINEAR DRAIN COVER

SKU: 949088-L, 949088-R



### FEATURES

Length: 21-7/16"  
Width: 5-5/8"  
Height: 1/2"

### PRODUCT IMAGE



All dimensions and specifications are nominal and may vary. Use actual products for accuracy in critical situations.

PAGE 4  
Code: SH701