

# SPECIFICATIONS

# VIGO

## MODEL NUMBER

VG01044

## DIMENSIONS

Faucet Height	7 ½" [191.6MM]
Spout Reach	5 ¾" [144.7 MM]
Spout Height	4 ¼" [106.8MM]
Hole Diameter	1 ⅜" [35 MM]
Water Supply Connection	⅝" [9.5 MM]

## AVAILABLE FINISHES



Chrome



Matte Black



Brushed Nickel



## REGISTER YOUR PRODUCT

IN ORDER TO ACTIVATE YOUR WARRANTY YOU MUST REGISTER YOUR PRODUCT



VIGOINDUSTRIES.COM/REGISTER/

## ACTIVATE NOW

## DESCRIPTION

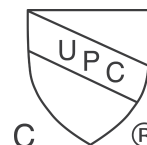
- Seven Layer Coated Finish
- Fingerprint Resistant
- cFIBER© Technology
- Precise Engineering
- 1.2 gallons per minute
- Single-hole Installation
- Reinforced PEX Supply Lines
- Limited Lifetime Warranty

## PACKING LIST

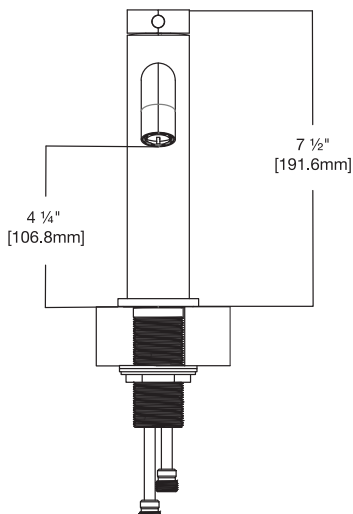
- Faucet
- Supply Lines
- Allen Key (2 mm)
- Plumbers Tape

## CERTIFICATIONS & WARRANTY

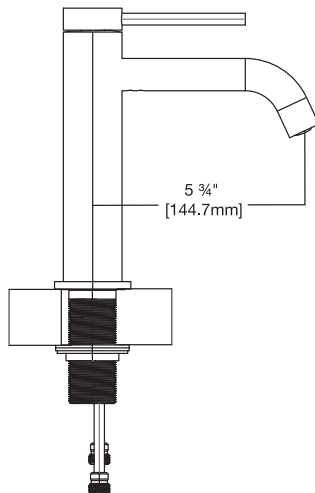
cUPC certified by IAPMO.  
All VIGO Bathroom Faucet have a Limited Lifetime Warranty.



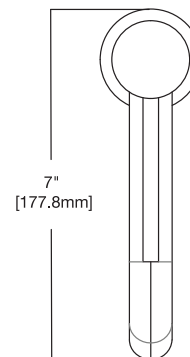
## FRONT VIEW



## SIDE VIEW



## TOP VIEW



NOTE: Dimensions may vary up to 1/4". It is highly recommended to take all dimensions from actual model for installation and measuring purposes.