

## MODEL NUMBER




VG01044



## DIMENSIONS

Faucet Height	7 ½" [191.6MM]
Spout Reach	5 ¾" [144.7 MM]
Spout Height	4 ¼" [106.8MM]
Hole Diameter	1 ⅜" [35 MM]
Water Supply Connection	⅜" [9.5 MM]

## AVAILABLE FINISHES

		
Chrome	Matte Black	Brushed Nickel

## FEATURES

- Seven Layer Coated Finish
- Fingerprint Resistant
- cFIBER© Technology
- Precise Engineering
- 1.2 gallons per minute
- Single-hole Installation
- Reinforced PEX Supply Lines
- Limited Lifetime Warranty

## PACKING LIST

- Faucet
- Supply Lines
- Allen Key (2 mm)
- Plumbers Tape

## NOTE

Residue from liquid soap and cleaning products may cause damage, so it is advised to rinse with clean water after use. If the surface of the product is already damaged, effects from cleaning materials may cause further damage. Hard water may damage finish.

## REGISTER YOUR PRODUCT

IN ORDER TO ACTIVATE YOUR WARRANTY YOU MUST REGISTER YOUR PRODUCT



VIGOINDUSTRIES.COM/REGISTER/

## ACTIVATE NOW

### RECOMMENDED TOOLS

-  Adjustable Wrench
-  Basin Wrench
-  Eye Protection
-  Safety Gloves

## WARNING



Damage caused by improper installation/ maintenance will not be covered by our guarantee and/ or warranty.



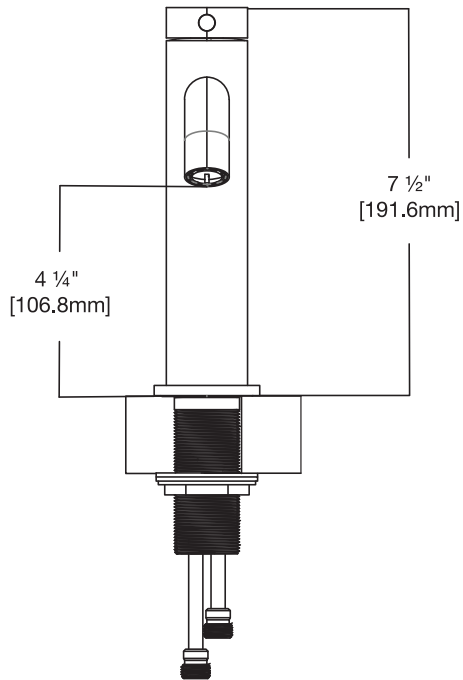
Usage over max PSI will damage internal components.  
(Max 60 PSI ) (Min 30 PSI)



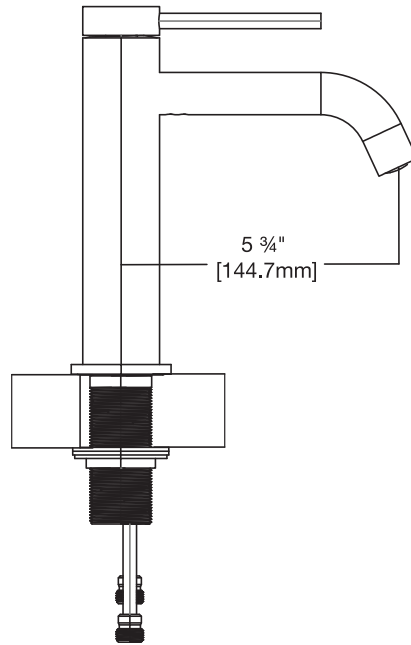
Always wear safety equipment.

MODEL #	VG01044
---------	---------

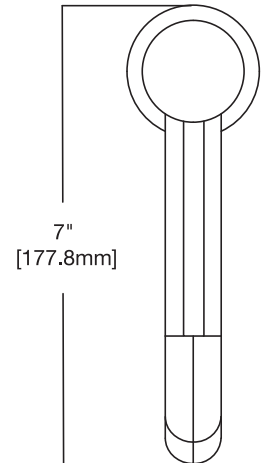
## MEASUREMENTS



FRONT

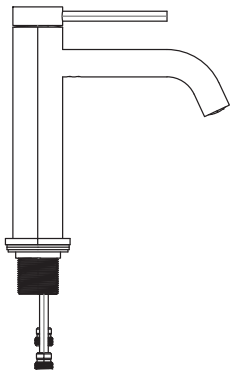


SIDE

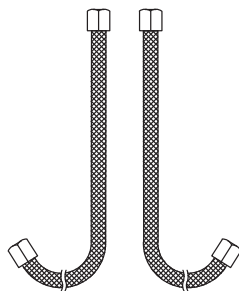


TOP

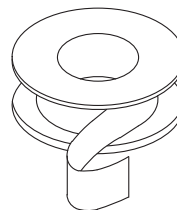
## PACKAGE CONTENTS



FAUCET



TWO FLEXIBLE HOSES



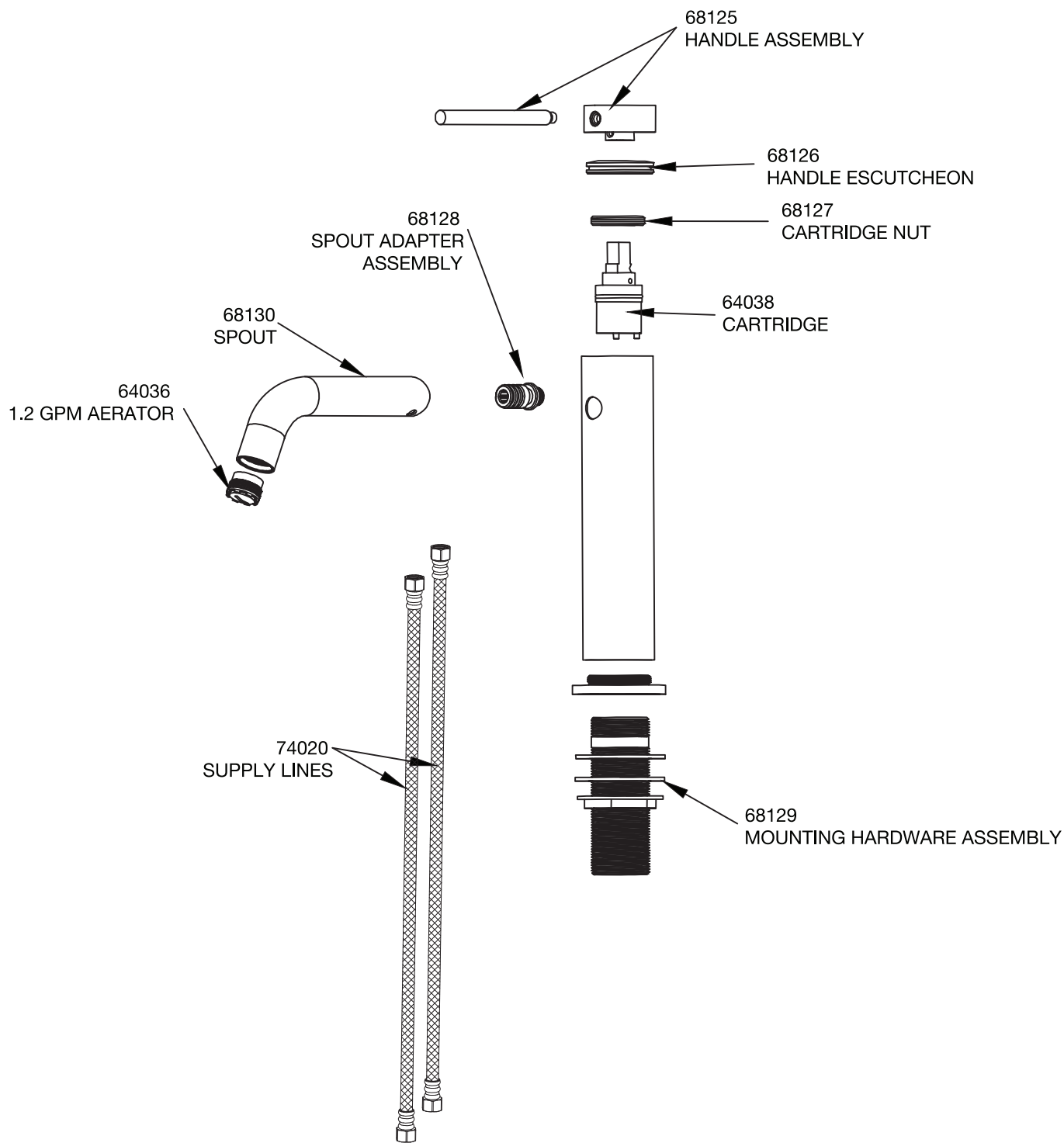
PLUMBERS TAPE



ALLEN KEY [2 mm]

MODEL #	VG01044
---------	---------

## PARTS



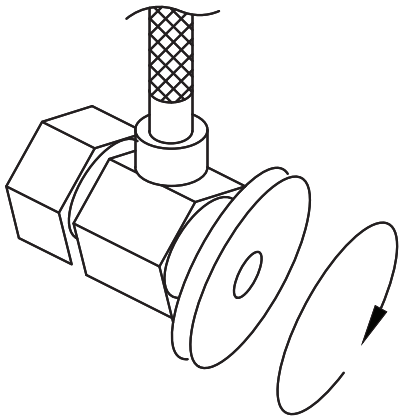
MODEL #

VG01044

## 1. INSTALLATION

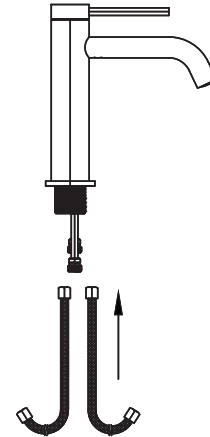
**NOTE:** Installation must be performed by a qualified, licensed plumber. After installation is complete, remove the aerator. Turn on the water supply valves and allow both hot and cold water to run at least one minute each. While water is running, check for leaks, especially at hook-ups to supply lines. Tightening nuts slightly will stop any minor leaks.

### STEP 1



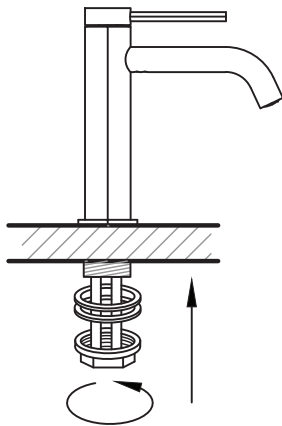
1. Shut off water supply. Remove old faucet and flexible hoses. Clean sink surface in preparation for the new faucet. Flush water connection at home to make sure no debris is stuck in the line.

### STEP 2



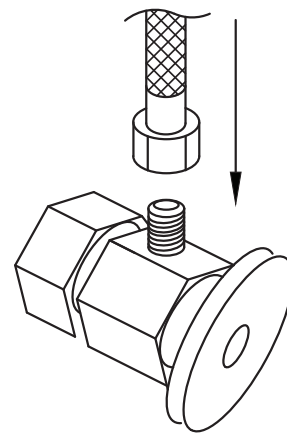
2. Connect flexible hoses to the brass pipes.

### STEP 3



3. Place new faucet in the position on the countertop. From under the sink, put rubber washer, metal ring, brass nut on to threaded pin. Tighten nut.

### STEP 4



4. Connect female end of flexible hoses to the cold and hot water supply.