

# NX60A6311SS

SAMSUNG

## Samsung Smart Freestanding Gas Range with 18K BTU Dual Ring Power Burner and Self Clean

6.0 cu. ft. Capacity



### Signature Features

#### Large Oven Capacity

- This large 6.0 cu. ft. oven can fit multiple dishes at one time.

#### 18K BTU Dual Ring Burner

- Boil fast with a dual ring burner that has unbelievable power.

#### Flexible Cooktop

- This 5-burner cooktop includes 2 power burners and cast iron edge-to-edge grates so you can slide pots and pans across more usable cooktop space. Use the simmer burner to cook your favorite sauces.

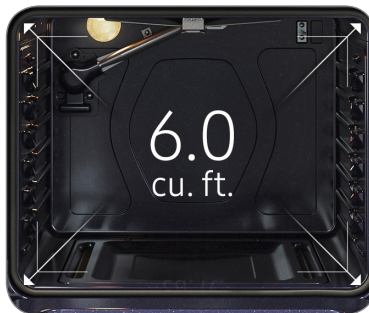
### Available Colors



Stainless Steel (shown)



Fingerprint Resistant  
Black Stainless Steel



Large Oven Capacity



18K BTU Dual Ring Burner

### Features

- Large Oven Capacity – 6.0 cu. ft.
- Integrated, Cast-Iron Griddle
- Extra Oven Settings - Bread Proof, Favorite Cook, Keep Warm
- Edge-to-Edge Grates
- Storage Drawer
- Flexible Cooktop:  
Five Burner Cooktop
  - Right Front: 18K BTU Dual Ring
  - Left Front: 12K BTU
  - Right Rear: 5K BTU
  - Left Rear: 9.5K BTU
  - Center (Oval): 10K BTU

### Convenience

- Wi-Fi Connectivity
- Voice-Enabled
- SmartThings Cooking
- Self Clean
- Sabbath Mode
- Child Safety Lock
- Delay Start
- Auto Oven Light
- Kitchen Timer



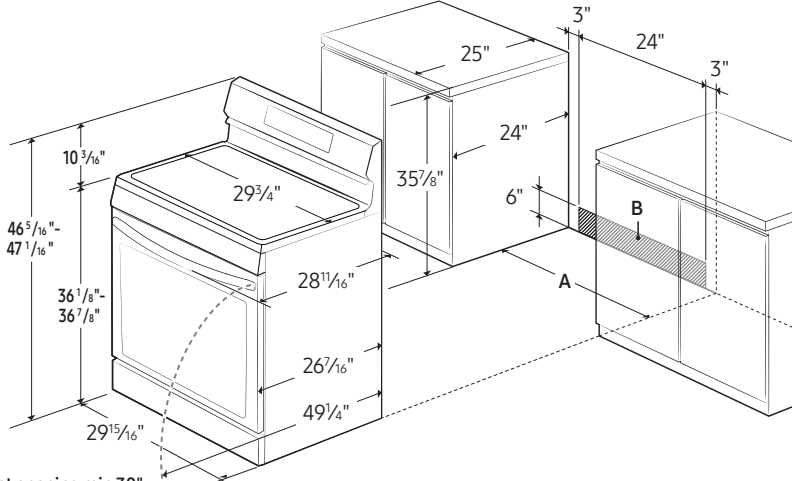
# NX60A6311SS

**SAMSUNG**

## Samsung Smart Freestanding Gas Range with 18K BTU Dual Ring Power Burner and Self Clean

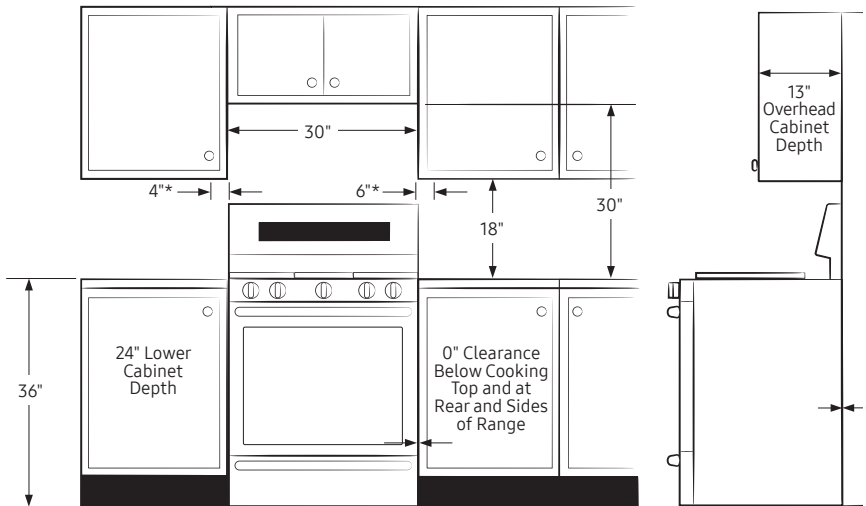
6.0 cu. ft. Capacity

### Installing Your Range



A: Cabinet opening min 30"  
B: Acceptable electrical outlet area

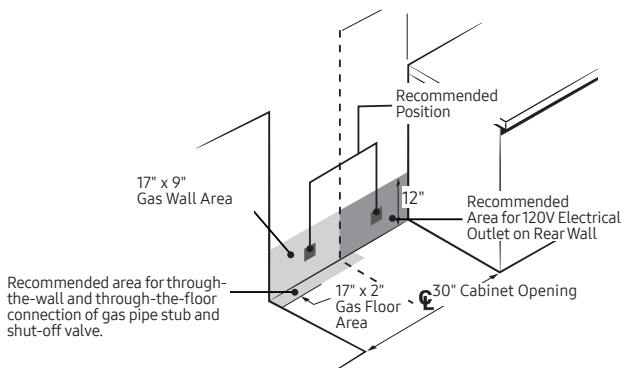
**IMPORTANT:** If your cabinets are over 36 3/4" high, you must install this range on a hard, heat-resistant support that raises the surface of the range so that it is about even with the countertop.



\* Side clearance above cooking surface to any objects, i.e., wall.

**IMPORTANT:** Consult with Installation Manual for detailed instructions before installing.  
All ranges must be installed with the Anti-Tip device that is included.

### Recommended Locations for Gas Piping and Electrical Outlets



### Power Source

120V/60 Hz/20A

### Total Power (BTU)

54,500 BTU

### 5-Burner Cooktop

- Right Front: 18K BTU, Dual Ring
- Left Front: 12K BTU
- Right Rear: 5K BTU
- Left Rear: 9.5K BTU
- Center (Oval): 10K BTU

### Oven

- Capacity: 6.0 cu. ft.
- Bake
- Variable Broil: Low/High
- Bread Proof

### Warranty

One (1) Year Parts and Labor

### Product Dimensions & Weight (WxHxD)

Oven Interior Dimensions:

24 13/16" x 21 5/8" x 19 5/8"

Outside Net Dimensions:

29 15/16" x 46 5/16"-47 1/16" (Adjustable) x 28 11/16"

Weight: 178 lbs

### Shipping Dimensions & Weight (WxHxD)

Dimensions:

33 1/16" x 50 9/16" x 30 5/16"

Weight: 201 lbs

### Color

Stainless Steel

### Model #

NX60A6311SS

### UPC Code

887276509556

Fingerprint Resistant

Black Stainless Steel

NX60A6311SG

887276509549



Actual color may vary. Design, specifications, and color availability are subject to change without notice. Non-metric weights and measurements are approximate.

©2021 Samsung Electronics America, Inc. 85 Challenger Road, Ridgefield Park, NJ 07660. Tel: 800-SAMSUNG. samsung.com. Samsung is a registered trademark of Samsung Electronics Co. Ltd.