

Use & Care Manual



Convection/Speed Microwave Oven VMDD5306SS

Service Information

If service is required:

1. Call your authorized service agency.
2. Have the following information readily available:
 - a. Model number
 - b. Serial number
 - c. Date purchased
 - d. Name of dealer from whom purchased
3. Clearly describe the problem that you are having.

If you are unable to obtain the name of an authorized service agency, or if you continue to have service problem, contact Viking Range, LLC at (888) 845-4641 or write to:

VIKING RANGE, LLC
PREFERRED SERVICE
111 Front Street
Greenwood, Mississippi (MS) 38930 USA

Record the information indicated below. You will need it if service is ever required. The model and serial number for your oven are located on the left side of the oven cavity on an identification label.

Model Number _____ Serial Number _____

Date of Purchase _____ Date Installed _____

Dealer's Name _____

Address _____

If service requires installation of parts, use only authorized parts to ensure protection under the warranty.

PLEASE RETAIN THIS MANUAL FOR FUTURE REFERENCE

PRECAUTIONS TO AVOID POSSIBLE EXPOSURE TO EXCESSIVE MICROWAVE ENERGY

- (a) Do not attempt to operate this microwave oven with the door open since open-door operation can result in harmful exposure to microwave energy. It is important not to defeat or tamper with the safety interlocks.
- (b) Do not place any object between the microwave oven front face and the door or allow soil or cleaner residue to accumulate on sealing surfaces.
- (c) Do not operate the microwave oven if it is damaged. It is particularly important that the microwave oven door close properly and that there is no damage to the: (1) door (bent), (2) hinges and latches (broken or loosened), (3) door seals and sealing surfaces.
- (d) The microwave oven should not be adjusted or repaired by anyone except properly qualified service personnel.

Table of Contents

2 SERVICE INFORMATION	15-19 MICROWAVE FEATURES
2 PRECAUTIONS TO AVOID POSSIBLE EXPOSURE TO EXCESSIVE MICROWAVE ENERGY	15 DEFROST
3 TABLE OF CONTENTS	16 SENSOR COOKING
4 IMPORTANT SAFETY INSTRUCTIONS	16-17 REHEAT
5 INSTALLATION INSTRUCTIONS	16-17 POPCORN
6 GROUNDING INSTRUCTIONS	17-18 COOK
7-10 INFORMATION YOU NEED TO KNOW	19 MORE MENUS
7 ABOUT YOUR OVEN	20-23 CONVECTION FEATURES
7 ABOUT MICROWAVE COOKING	20 BAKE
7 ABOUT CHILDREN AND THE MICROWAVE	20 ROAST
8 ABOUT SAFETY	20 GRILL
8-9 ABOUT UTENSILS AND COVERINGS	20-21 MORE MENUS
10 ABOUT FOOD	22 SPEED BAKE
11-12 PART NAMES	22 SPEED ROAST
11 OVEN PARTS	22-23 HELPFUL HINTS FOR CONVECTION AND SPEED FUNCTIONS COOKING
11 ACCESSORIES	24-25 OTHER CONVENIENT FEATURES
12 CONTROL PANEL	24 MULTIPLE SEQUENCE COOKING
12 MENU LABEL	24 SETTING/TIMER
13 BEFORE OPERATING	24 +30 SEC
13 TO SET THE CLOCK	25 CONTROL LOCK
13 STOP/CLEAR	25 HELP (DISPLAY INDICATOR)
14 MANUAL OPERATION	26 CLEANING AND CARE
14 TIME COOKING	27 SPECIFICATIONS
14 TO SET POWER LEVEL	28 SERVICE CALL CHECK
14 MANUAL DEFROST	29 WARRANTY

IMPORTANT SAFETY INSTRUCTIONS

When using electrical appliances basic safety precautions should be followed, including the following:

WARNING-To reduce the risk of burns, electric shock, fire, injury to persons or exposure to excessive microwave energy:

1. Read all instructions before using the appliance.
2. Read and follow the specific "PRECAUTIONS TO AVOID POSSIBLE EXPOSURE TO EXCESSIVE MICROWAVE ENERGY" on page 2.
3. This appliance must be grounded. Connect only to properly grounded outlet. See "GROUNDING INSTRUCTIONS" on page 6.
4. Install or locate this appliance only in accordance with the provided installation instructions.
5. Some products such as whole eggs and sealed containers—for example, closed glass jars—are able to explode and should not be heated in this oven.
6. Use this appliance only for its intended use as described in this manual. Do not use corrosive chemicals or vapors in this appliance. This type of oven is specifically designed to heat, cook or dry food. It is not designed for industrial or laboratory use.
7. As with any appliance, close supervision is necessary when used by children.
8. Do not operate this appliance if it has a damaged cord or plug, if it is not working properly or if it has been damaged or dropped.
9. This appliance should be serviced only by qualified service personnel. Contact nearest Authorized Servicer for examination, repair or adjustment.
10. Do not cover or block any openings on the appliance.
11. Do not store or use this appliance outdoors. Do not use this product near water—for example, near a kitchen sink, in a wet basement, near a swimming pool, or similar locations.
12. Do not immerse cord or plug in water.
13. Keep cord away from heated surfaces.
14. Do not let cord hang over edge of table or counter.
15. See door surface cleaning instructions on page 26.
16. To reduce the risk of fire in the oven cavity:
 - a. Do not overcook food. Carefully attend to appliance when paper, plastic or other combustible materials are placed inside the oven to facilitate cooking.
 - b. Remove wire twist-ties from paper or plastic bags before placing bag in oven.
 - c. **If materials inside the oven should ignite, keep oven door closed, turn oven off and disconnect the power cord or shut off power at the fuse or circuit breaker panel.**
 - d. Do not use the cavity for storage purposes. Do not leave paper products, cooking utensils or food in the cavity when not in use.
17. Liquids, such as water, coffee or tea are able to be overheated beyond the boiling point without appearing to be boiling. Visible bubbling or boiling when the container is removed from the oven is not always present. **THIS COULD RESULT IN VERY HOT LIQUIDS SUDDENLY BOILING OVER WHEN A SPOON OR OTHER UTENSIL IS INSERTED INTO THE LIQUID.**

To reduce the risk of injury to persons:

 - a. Do not overheat the liquid.
 - b. Stir the liquid both before and halfway through heating it.
 - c. Do not use straight-sided containers with narrow necks. Use a wide-mouthed container.
 - d. After heating, allow the container to stand in the oven at least for 20 seconds before removing the container.
 - e. Use extreme care when inserting a spoon or other utensil into the container.
18. If the oven is installed as a built-in, observe the following instructions:
 - a. Do not mount over a sink.
 - b. Do not store anything directly on top of the appliance surface when the appliance is in operation.
19. If the oven light fails, consult an AUTHORIZED SERVICER.

SAVE THESE INSTRUCTIONS

Installation Instructions

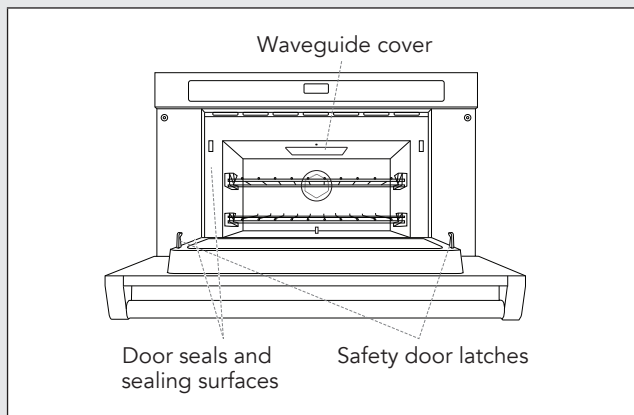
UNPACKING AND EXAMINING YOUR OVEN

Remove all packing materials from inside the oven cavity; however, **DO NOT REMOVE THE WAVEGUIDE COVER**, which is located on the inside top of the cavity. Read enclosures and **SAVE** the Installation/Use and Care Manual.

Check the oven for any damage, such as misaligned or bent door, damaged door seals and sealing surfaces, broken or loose door hinges and latches and dents inside the cavity or on the door. If there is any damage, do not operate the oven and contact your local authorized service agent.

CHOOSING A LOCATION

Your oven can be built into a cabinet or wall by itself, above any electric built-in oven, warming drawer or below a cooktop or counter. If installing above an oven or warming drawer, please allow 2" of space between the products.



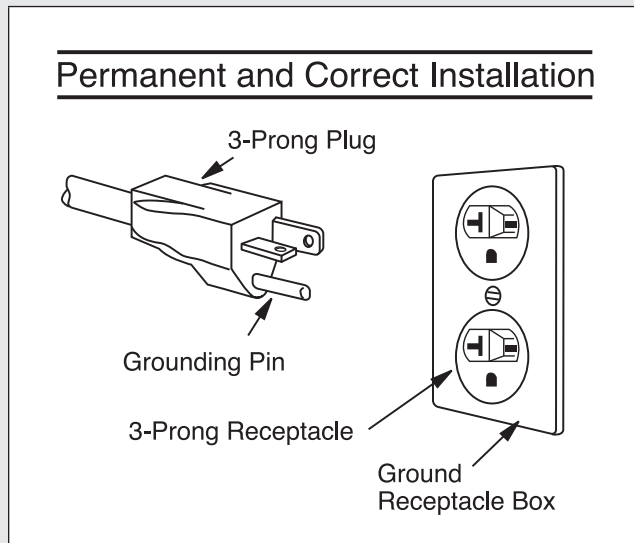
Grounding Instructions

This appliance must be grounded. This oven is equipped with a cord having a grounding wire with a grounding plug. It must be plugged into a wall receptacle that is properly installed and grounded in accordance with the National Electrical Code and local codes and ordinances. In the event of an electrical short circuit, grounding reduces risk of electric shock by providing an escape wire for the electric current.

WARNING – Improper use of the grounding plug can result in a risk of electric shock.

ELECTRICAL REQUIREMENTS

- The electrical outlet must be readily accessible so that the unit can be unplugged easily in an emergency. The AC power supply must be 220-240V, 50Hz, with a minimum 1.6kW distribution circuit breaker. It should be possible to isolate the appliance from the supply by incorporating a switch in the fixed wiring in accordance with electrical codes. It is recommended that a separate circuit serving only this appliance be provided. Do not store or use the oven outdoors.
- Do not operate the oven with the door open or alter the door safety latches in any way. Do not operate the oven if there is an object between the door seals and sealing surfaces.



IMPORTANT: If you are unsure how to connect your oven, please consult an authorized, qualified electrician.

Note:

1. If you have any questions about the grounding or electrical instructions, consult a qualified electrician or service person.
2. Neither Viking Range, LLC nor the dealer can accept any liability for damage to the oven or personal injury resulting from failure to observe the correct electrical connection procedures.

RADIO OR TV INTERFERENCE

Should there be any interference caused by the oven to your radio or TV, check that the oven is on a different electrical circuit, relocate the radio or TV as far away from the oven as feasible or check position and signal of receiving antenna.

TO AVOID THE POSSIBILITY OF ELECTRIC SHOCK:

- If the power supply cord of this appliance is damaged, it must be replaced with a special cord. The exchange must be made by an authorized service agent.

TO AVOID THE POSSIBILITY OF BURNS:

- Do not lean or swing on the oven door. Do not play with the oven or use it as a toy. Children should be taught all important safety instructions: use of potholders, careful removal of food coverings; paying special attention to packaging (e.g. self-heating materials) designed to make food crisp, as they may be extra hot.

Information You Need To Know

ABOUT YOUR OVEN

This Installation/Use and Care Manual is valuable: read it carefully and always save it for reference.

A good microwave cookbook is a valuable asset. Check it for microwave cooking principles, techniques, hints and recipes.

NEVER use the oven without the turntable and support nor turn the turntable over so that a large dish could be placed in the oven. The turntable will turn both clockwise and counterclockwise.

ALWAYS have food in the oven when it is on to absorb the microwave energy.

When using the oven at power levels below 100%, you may hear the magnetron cycling on and off. It is normal for the exterior of the oven to be warm to the touch when cooking or reheating.

Condensation is a normal part of microwave cooking. Room humidity and the moisture in food will influence the amount of moisture that condenses in the oven. Generally, covered foods will not cause as much condensation as uncovered ones. Vents on the oven back must not be blocked.

After using CONVECTION, SPEED FUNCTIONS or CONVECTION MORE MENUS, you will hear the sound of the cooling fan. The fan may continue to operate as long as 5 minutes, depending on the oven temperature.

Be aware that, unlike microwave-only ovens, convection microwave ovens have a tendency to become hot during CONVECTION, SPEED FUNCTIONS and CONVECTION MORE MENUS cooking.

The oven is for food preparation only. It should not be used to dry clothes or newspapers.

Your oven is rated 950 watts by using the IEC Test Procedure. In using recipes or package directions, check food a minute or two before the minimum time and add time accordingly.

ABOUT MICROWAVE COOKING

- Arrange food carefully. Place thickest areas towards outside of dish.
- Watch cooking time. Cook for the shortest amount of time indicated and add more as needed. Food severely overcooked can smoke or ignite.
- Cover foods while cooking. Check recipe or cookbook for suggestions: paper towels, wax paper, microwave plastic wrap or a lid. Covers prevent spattering and help foods to cook evenly.
- Stir foods from outside to center of dish once or twice during cooking, if possible.

- Turn foods over once during microwaving to speed cooking of such foods as chicken and hamburgers. Large items like roasts must be turned over at least once.
- Rearrange foods such as meatballs halfway through cooking both from top to bottom and from the center of the dish to the outside.
- Add standing time. Remove food from oven and stir, if possible. Cover for standing time which allows the food to finish cooking without overcooking.
- Check for doneness. Look for signs indicating that cooking temperatures have been reached.

Doneness signs include:

- Food steams throughout, not just at edge.
- Center bottom of dish is very hot to the touch.
- Poultry thigh joints move easily.
- Meat and poultry show no pinkness.
- Fish is opaque and flakes easily with a fork.

ABOUT CHILDREN AND THE MICROWAVE

Children below the age of 7 should use the oven with a supervising person very near to them. Between the ages of 7 and 12, the supervising person should be in the same room.

The child must be able to reach the oven comfortably; if not, he/she should stand on a sturdy stool.

At no time should anyone be allowed to lean or swing on the oven door.

Children should be taught all safety precautions: use potholders, remove coverings carefully, pay special attention to packages that crisp food because they may be extra hot.

Don't assume that because a child has mastered one cooking skill he/she can cook everything.

Children need to learn that the oven is not a toy. See page 25 for Control Lock feature.

Information You Need To Know

ABOUT SAFETY

- Check foods to see that they are cooked to the United States Department of Agriculture's recommended temperatures.

To test for doneness, insert a meat thermometer in a thick or dense area away from fat or bone. Never leave the thermometer in the food during cooking, unless it is approved for oven use.

TEMP	FOOD
160°F (71°C)	For fresh pork, ground meat, boneless white poultry, fish, seafood, egg dishes and frozen prepared food.
165°F (74°C)	For leftover, ready-to-reheat refrigerated, and deli and carry-out "fresh" food.
170°F (77°C)	White meat of poultry.
180°F (82°C)	Dark meat of poultry.

- ALWAYS use potholders to prevent burns when handling utensils that are in contact with hot food. Enough heat from the food can transfer through utensils to cause skin burns.
- Avoid steam burns by directing steam away from the face and hands. Slowly lift the farthest edge of a dish's covering and carefully open popcorn and oven cooking bags away from the face.
- Stay near the oven while it's in use and check cooking progress frequently so that there is no chance of overcooking food.
- NEVER use the cavity for storing cookbooks or other items.
- Select, store and handle food carefully to preserve its high quality and minimize the spread of foodborne bacteria.
- Keep waveguide cover clean. Food residue can cause arcing and/or fires.
- Use care when removing items from the oven so that the utensil, your clothes or accessories do not touch the safety door latches.

ABOUT UTENSILS AND COVERINGS

It is not necessary to buy all new cookware. Many pieces already in your kitchen can be used successfully in your new convection oven. The chart below will help you decide what utensils and coverings should be used in each mode.

UTENSILS AND COVERINGS	MICROWAVE ONLY	CONVECTION BAKE, ROAST, GRILL	SPEED ROAST SPEED BAKE
Aluminum foil	NO	YES. For shielding	NO
Aluminum containers	NO	YES. Grill-No cover	NO
Browning dish	NO	NO	NO
Glass ceramic (Pyroceram®)	YES. Excellent	YES. Excellent	YES. Excellent
Glass, heat-resistant	YES. Excellent	YES. Excellent	YES. Excellent
Glass, non-heat-resistant	NO	NO	NO
Lids, glass	YES	YES. Grill-No cover	YES
Lids, metal	NO	YES. Grill-No cover	NO
Metal cookware	NO	YES	NO. Silicone cookware is suggested
Metal, misc: dishes with metallic trim, screws, bands, handles. Metal twist ties	NO	NO	NO
Oven cooking bags	YES. Good for large meats or foods that need tenderizing. DO NOT use metal twist ties.	YES. Grill-No cover	YES. DO NOT use metal twist ties.

Information You Need To Know

UTENSILS AND COVERINGS	MICROWAVE ONLY	CONVECTION BAKE, ROAST, GRILL	SPEED ROAST SPEED BAKE
Paper plates	YES. For reheating.	NO	NO
Paper towels	YES. To cover for reheating and cooking. Do not use recycled paper towels which may contain metal fillings.	NO	NO
Paper, ovenable	YES	YES. For temperatures up to 400°F. Do not use for grilling.	YES. For temperatures up to 400°F.
Microwave-safe plastic containers	YES. Use for reheating and defrosting. Some microwave-safe plastics are not suitable for cooking foods with high fat and sugar content. Follow manufacturer's directions.	NO	NO
Plastic, Thermoset®	YES	YES. Are heat resistant up to 425°F. Do not use for grilling.	YES
Plastic wrap	YES. Use brands specially marked for microwave use. DO NOT allow plastic wrap to touch food. Vent so steam can escape.	NO	NO
Pottery, porcelain stoneware	YES. Check manufacturer's recommendation for being microwave safe.	YES	YES. Must be microwave safe AND ovenable.
Styrofoam	YES. For reheating.	NO	NO
Wax paper	YES. Good covering for cooking and reheating.	NO	NO
Wicker, wood, straw	YES. May be used for short periods of time. Do not use with high fat or high sugar content foods. Could char.	NO	NO

ACCESSORIES

There are many microwave accessories available for purchase. Evaluate carefully before you purchase so that they meet your needs. When selecting microwave accessories, ensure that they are marked or are verified as microwave-safe. A microwave-safe thermometer will assist you in determining correct doneness and assure you that foods have been cooked to safe temperatures when using microwave-only cooking. Viking Range, LLC is not responsible for any damage to the oven when accessories are used.

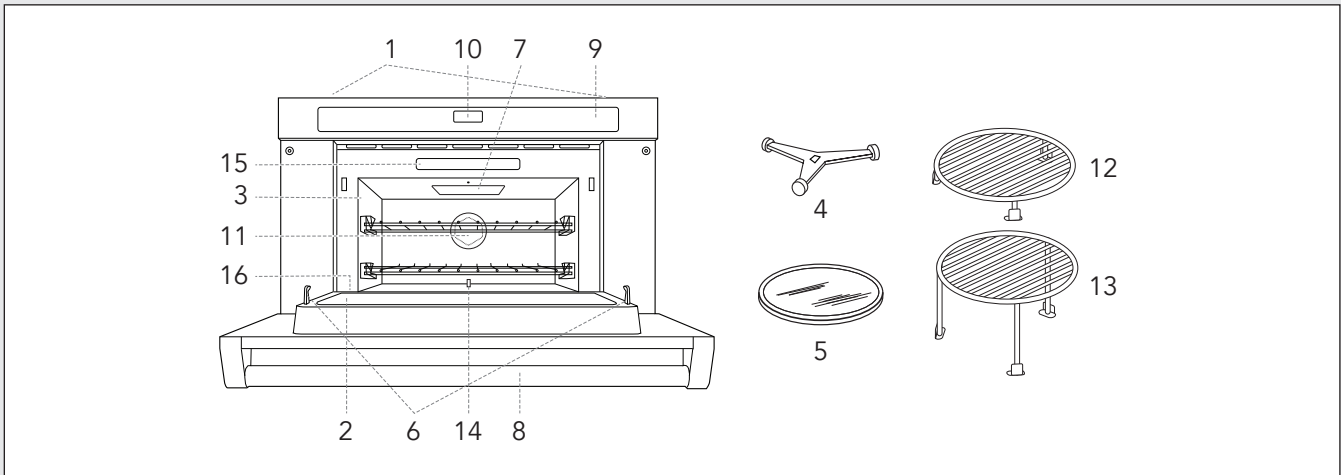
Information You Need To Know

ABOUT FOOD

FOOD	DO	DON'T
Eggs, sausages, nuts, seeds, fruits & vegetables	<ul style="list-style-type: none"> • Puncture egg yolks before cooking to prevent "explosion". • Pierce skins of potatoes, apples, squash, hot dogs and sausages so that steam escapes. 	<ul style="list-style-type: none"> • Cook eggs in shells. • Reheat whole eggs. • Dry nuts or seeds in shells.
Popcorn	<ul style="list-style-type: none"> • Use specially bagged popcorn for the oven. • Listen while popping corn for the popping to slow to 1 or 2 seconds or use special POPCORN pad. 	<ul style="list-style-type: none"> • Pop popcorn in regular brown bags or glass bowls. • Exceed maximum time on popcorn package.
Baby food	<ul style="list-style-type: none"> • Transfer baby food to small dish and heat carefully, stirring often. Check temperature before serving. • Put nipples on bottles after heating and shake thoroughly. "Wrist" test before feeding. 	<ul style="list-style-type: none"> • Heat disposable bottles. • Heat bottles with nipples on. • Heat baby food in original jars.
General	<ul style="list-style-type: none"> • Cut baked goods with filling after heating to release steam and avoid burns. • Stir liquids briskly before, during and after heating to avoid "eruption". • Use deep bowl, when cooking liquids or cereals, to prevent boilovers. 	<ul style="list-style-type: none"> • Heat or cook in closed glass jars or air tight containers. • Heat can in the microwave as harmful bacteria may not be destroyed. • Deep fat fry. • Dry wood, gourds, herbs or wet papers.

Part Names

OVEN PARTS



- | | |
|---|---|
| <ul style="list-style-type: none"> 1 Ventilation openings (Rear side) 2 Oven door with see-through window 3 Oven light
It will light when the door is opened or when oven is in operation. 4 Turntable support 5 Removable turntable
The turntable will rotate clockwise or counterclockwise. 6 Safety door latches
The oven will not operate unless the door is securely closed. | <ul style="list-style-type: none"> 7 Waveguide cover: DO NOT REMOVE. 8 Handle 9 Glass control panel 10 Lighted digital display 11 Convection air openings 12 Removable low rack (Grilling rack) 13 Removable high rack (Baking rack) 14 Turntable motor shaft 15 Menu Label 16 Serial plate |
|---|---|

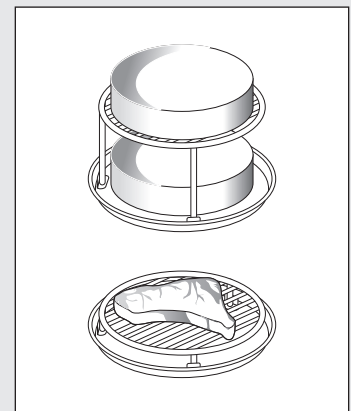
ACCESSORIES

The following accessories are designed especially for use in this oven only for convection (bake, roast, or grill) or speed (bake or roast) cooking. **DO NOT USE FOR MICROWAVE ONLY COOKING.** Do not substitute similar types of racks for these specially designed ones.

High Turntable Rack - See chart on page 21 for instructions of when to use this rack.

Low Turntable Rack - See chart on page 20-21 for instructions of when to use this rack.

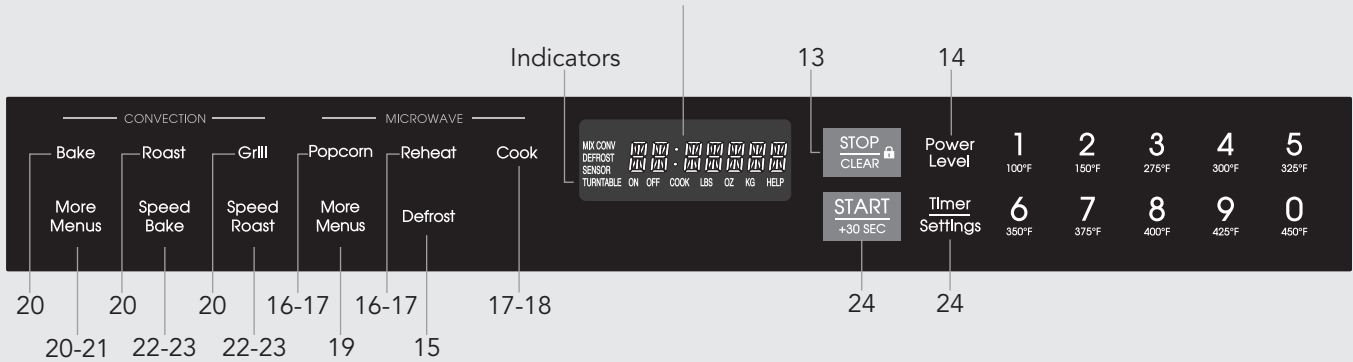
Oven Racks (2) - These racks are used for baking or roasting, and two level cooking. Examples: cookies or pizza.



Part Names

CONTROL PANEL

Interactive Display
Words will light in the display to indicate features and cooking instructions.



Number next to the control panel illustration indicates pages on which there are feature descriptions and usage information.

MENU LABEL

COOK		DEFROST	MICROWAVE MORE MENUS		CONVECTION MORE MENUS			
					BAKE	ROAST	GRILL	
1 Baked Potatoes	6 Quick Fresh Vegetables	1 Ground Meat	Melt	1 Butter	7 Beverage Reheat	1 Biscuit	7 Whole Chicken	10 Beef Hamburgers
2 Sweet Potatoes	7 Long Fresh Vegetables	2 Steaks/Chops		2 Chocolate	8 Hot Water	2 Cookies Packaged	8 Pork Tenderloin	11 Turkey Burgers
3 Fish/Seafood	8 Frozen Vegetables	3 Boneless Poultry	Soften	3 Ice Cream	9 Hot Cereal	3 Bundt Cake	9 Turkey Breast	12 Drumsticks
4 Brown Rice	9 Ground Meat	4 Bone-in Poultry		4 Cream Cheese		4 Pizza - Thin/Classic/Rising		13 Chicken Breast Boneless
5 White Rice	10 Frozen Entrée	5 Roast	Warm	5 Syrup		5 Breaded Shrimp		14 Fish Fillet
		6 Casserole and Soup		6 Dessert Topping		6 Breaded Chicken Tenders		15 Veggie Burger

Before Operating

- Before operating your new oven make sure you read and understand this Use and Care Manual completely.
- Before the oven can be used, follow these procedures:
 1. Plug in the oven. Close the door. The oven display will show WELCOME TOUCH CLEAR.
 2. Touch the STOP/CLEAR pad. : will appear.
 3. Set clock.

TO SET THE CLOCK

1. Touch TIMER/SETTINGS pad twice.
2. Enter the correct time of day by touching the numbers in sequence. Touch START/+30 SEC pad.

This is a 12 hour clock. If you attempt to enter an incorrect clock time, ERROR will appear in the display. Touch the STOP/CLEAR pad and re-enter the time.

- If the electrical power supply to your oven should be interrupted, the display will intermittently show WELCOME TOUCH CLEAR after the power is reinstated. If this occurs during cooking, the program will be erased. The time of day will also be erased. Simply touch STOP/CLEAR pad and reset the clock for the correct time of day.

STOP/CLEAR

Touch the STOP/CLEAR pad to:

1. Erase if you make a mistake during programming.
2. Cancel timer.
3. Stop the oven temporarily during cooking.
4. Return the time of day to the display.
5. Cancel a program during cooking, touch twice.

Manual Operation

TIME COOKING

Your oven can be programmed for 99 minutes and 99 seconds (99.99). Always enter the seconds after the minutes, even if they are both zeros.

- Suppose you want to cook for 5 minutes at 100%.
1. Enter cooking time by touching the number pads **5 0 0**.
 2. Touch START/+30 SEC pad.

TO SET POWER LEVEL

There are eleven preset power levels.

Using lower power levels increases the cooking time which is recommended for foods such as cheese, milk and long slow cooking of meats. Consult cookbook or recipes for specific recommendations.

TOUCH POWER LEVEL PAD ONCE THEN TOUCH	APPROXIMATE PERCENTAGE OF POWER	COMMON WORDS FOR POWER LEVELS
POWER LEVEL	100%	High
9	90%	
8	80%	
7	70%	Medium High
6	60%	
5	50%	Medium
4	40%	
3	30%	Med Low/Defrost
2	20%	
1	10%	Low
0	0%	

- Suppose you want to defrost for 5 minutes at 30%.
1. Enter defrosting time by touching the number pads **5 0 0**.
 2. Touch POWER LEVEL pad and number **3**.
 3. Touch START/+30 SEC pad.

You can program up to 4 automatic cooking sequences. Follow directions on page 24. Note that power level must be entered first when programming multiple sequences.

MANUAL DEFROST

If the food that you wish to defrost is not listed on the DEFROST CHART or is above or below the limits in the AMOUNT column on the DEFROST CHART, you need to defrost manually.

You can defrost any frozen food, either raw or previously cooked, by using POWER LEVEL 3. Follow the exact 3-step procedure found under TO SET POWER LEVEL. Estimate defrosting time and touch **3** for 30% when you select the power level.

For either raw or previously cooked frozen food, the rule of thumb is approximately 5 minutes per pound. For example, defrost 5 minutes for 1 pound of frozen spaghetti sauce.

Always stop the oven periodically to remove or separate the portions that are defrosted. If food is not defrosted at the end of the estimated defrosting time, program the oven in 1 minute increments on POWER LEVEL 3 until totally defrosted.

When using plastic containers from the freezer, defrost only long enough to remove from the plastic in order to place in a microwave-safe dish.

Microwave Features

DEFROST

DEFROST automatically defrosts foods shown in the DEFROST CHART.

- Suppose you want to defrost a 2.0 pound steak:
 1. Touch DEFROST pad once.
 2. Select desired food by touching the associated number on the number pad from the menu label selection. Ex. Touch **1** for Ground Meat.
 3. Enter weight by touching the number pads **2****0**.
 4. Touch START/+30 SEC pad.

The oven will stop and directions will be displayed. Follow the indicated message.

5. After the 1st stage, open the door. Turn steak over. Close the door. Touch START/+30 SEC pad.

6. After the 2nd stage, open the door. Turn steak over. Close the door. Touch START/+30 SEC pad.
7. After defrost cycle ends, cover and let stand as indicated in chart below.

Note:

- If you attempt to enter more or less than the allowed amount as indicated in chart, an error message will appear in the display.
- To defrost other foods or foods above or below the weights allowed on DEFROST CHART see MANUAL DEFROST on page 14.

DEFROST CHART

FOOD	AMOUNT	PROCEDURE
1. Ground Meat	0.5-2.0 lb (0.22-0.9 kg)	Remove any thawed pieces after each stage. Let stand, covered, 5–10 minutes.
2. Steaks/Chops	0.5-3.0 lb (0.22-1.36 kg)	After each stage of defrost cycle, rearrange, and remove any meat or fish that is nearly defrosted. Let stand, covered, 10–20 minutes.
3. Boneless Poultry	0.5-2.0 lb (0.22-0.9 kg)	Use boneless breast of chicken or turkey. After each stage, if there are warm or thawed portions, rearrange or remove. Let stand, covered, for 10 to 20 minutes.
4. Bone-in Poultry	0.5-3.0 lb (0.22-1.36 kg)	Arrange pieces with meatiest portions toward outside of glass dish or microwave safe rack. After each stage, if there are warm or thawed portions, rearrange or remove. Let stand, covered, for 10 to 20 minutes.
5. Roast	2.0-4.0 lb (0.9-1.8 kg)	Start defrosting with fat side down. After each stage, turn roast over. Let stand, covered, for 30 to 60 minutes.
6. Casserole and Soup	1-6 cups	After the audible signal, stir if possible. At the end, stir well and let stand, covered, for 5 to 10 minutes.

Note:

Check foods when oven signals. After final stage, small sections may still be icy. Let stand to continue thawing. Do not defrost until all ice crystals are thawed.

Microwave Features

SENSOR COOKING

The Sensor is a semi-conductor device that detects the vapor (moisture and humidity) emitted from the food as it heats. The sensor adjusts the cooking times and power level for various foods and quantities.

USING SENSOR SETTINGS:

1. After oven is plugged in, wait 2 minutes before using sensor settings.
2. Be sure the exterior of the cooking container and the interior of the oven are dry. Wipe off any moisture with a dry cloth or paper towel.
3. REHEAT and POPCORN can only be entered within 1 minute after cooking, opening and closing the door or touching the STOP/CLEAR pad.
4. During the first part of sensor cooking, the food name will appear on the display. Do not open the oven door or touch STOP/CLEAR during this part of the cooking cycle. The measurement of vapor will be interrupted. If this occurs, an error message will appear. To continue cooking, touch the STOP/CLEAR pad and select cooking time and variable power.

When the sensor detects the vapor emitted from the food, remainder of cooking time will appear. Door may be opened when remaining cooking time appears on the display. At this time, you may stir or season food, as desired.

5. Check food for temperature after cooking. If additional time is needed, continue to cook with variable power and time.
6. If the sensor does not detect vapor properly when popping popcorn, the oven will turn off, and the correct time of day will be displayed. If the sensor does not detect vapor properly when using sensor reheat, ERROR will be displayed, and the oven will turn off.
7. Each food has a cooking hint. Touch TIMER/SETTINGS when the HELP indicator is lighted in the display.

SELECTING FOODS:

1. The sensor works with foods at normal storage temperature. For example, food for dinner plate reheat would be at refrigerator temperature and popcorn at room temperature.
2. Foods weighing less than 3 ounces should be reheated by time and variable power.

COVERING FOODS:

Some foods work best when covered. Use the cover recommended in the chart for these foods.

1. Casserole lid.
2. Plastic wrap: Use plastic wrap recommended for microwave cooking. Cover dish loosely; allow approximately ½ inch to remain uncovered to allow steam to escape. Plastic wrap should not touch food.
3. Wax paper: Cover dish completely; fold excess wrap under dish to secure. If dish is wider than paper, overlap two pieces at least one inch to cover.

Be careful when removing any covering to allow steam to escape away from you.

REHEAT

You can reheat many foods by touching just one pad. You don't need to calculate reheating time or power level.

- Suppose you want to heat prepared chili:

Touch REHEAT pad.

When sensor detects the vapor emitted from the food, remainder of reheating time will appear.

POPCORN

- Suppose you want to pop a 3.5 oz. bag of popcorn:

Touch POPCORN pad once, then touch START/+30 SEC.

This sensor setting works well with most brands of microwave popcorn. Pop only one bag at a time. Unfold the bag and place in oven according to directions.

Microwave Features

SENSOR CHART

FOOD	AMOUNT	PROCEDURE
Popcorn	Only 1 package at a time 2.85-3.5 oz bag (80-99 g) (Regular size) 1.2-1.75 oz bag (34-50 g) (Snack size)	Use only popcorn packaged for microwave oven use. Try several brands to decide which you like best. Do not try to pop unpopped kernels. Touch POPCORN pad once, then touch START/+30 SEC. This setting works well with most 3.0-3.5 oz bags of microwave popcorn. Touch POPCORN pad twice, then touch START/+30 SEC.
Reheat Leftovers such as rice, potatoes, vegetables, casserole.	0.25-2.25 lb (0.11-1.0 kg)	Place in dish or casserole slightly larger than amount to be reheated. Flatten, if possible. Cover with lid, plastic wrap or wax paper. Use covers such as plastic wrap or lids with larger quantities of more dense foods such as stews. After reheating, stir well, if possible. Foods should be very hot. If not, continue to heat with variable power and time. After stirring, re-cover and allow to stand 2 to 3 minutes.
Soups	1-4 cups	After reheating, stir well, if possible. Foods should be very hot. If not, continue to heat with variable power and time. After stirring, re-cover and allow to stand 2 to 3 minutes.
Canned entrees and vegetables	4-36 oz	After reheating, stir well, if possible. Foods should be very hot. If not, continue to heat with variable power and time. After stirring, re-cover and allow to stand 2 to 3 minutes.

COOK

- Suppose you want to cook a baked potato:
1. Touch COOK pad.

2. Select desired sensor setting. Ex: touch number pad **1** to cook baked potatoes.
3. Touch START/+30 SEC pad. When sensor detects the vapor emitted from the food, the remainder of cooking time will appear.

COOK CHART

FOOD	AMOUNT	PROCEDURE
1. Baked Potatoes 2. Sweet Potatoes	1-6 med.	Pierce. Place on paper-towel-lined turntable. After cooking, remove from oven, wrap in aluminum foil and let stand 5 to 10 minutes.
3. Fish/Seafood	0.25-2.0 lb (0.11-0.90 kg)	Arrange in ring around shallow glass dish (roll fillet with edges underneath). Cover with vented plastic wrap. After cooking, let stand, covered for 3 minutes.
4. Brown rice 5. White rice	0.5-4.0 cups 0.5-4.0 cups	Place rice into a deep casserole and add double quantity of water. Cover with lid or plastic wrap. After cooking, stir, cover and let stand 3 to 5 minutes or until all liquid has been absorbed.

Rice	Water	Size of casserole
0.5 cup	1 cup	1.5 quart
1 cup	2 cups	2 quart
1.5 cups	3 cups	2.5 or 3 quart
2 cups	4 cups	3 quart or larger
3 cups	6 cups	3 quart or larger
4 cups	8 cups	3 quart or larger

Microwave Features

COOK CHART

FOOD	AMOUNT	PROCEDURE
6. Quick Fresh Vegetables		
Broccoli	0.25-3.0 lb (0.11-1.36 kg)	Wash and place in casserole. Add no water if vegetables have just been washed. Cover with lid for tender vegetables. Use plastic wrap for tender-crisp vegetables. Stir before standing if possible. After cooking, let stand, covered, 2-5 minutes.
Brussels sprouts	0.25-3.0 lb (0.11-1.36 kg)	
Cabbage	0.25-3.0 lb (0.11-1.36 kg)	
Cauliflower (flowerets)	0.25-3.0 lb (0.11-1.36 kg)	
Cauliflower (whole)	1 med.	
Spinach	0.25-1.0 lb (0.11-0.45 kg)	
Zucchini	0.25-3.0 lb (0.11-1.36 kg)	
Baked apples	2-4 med.	
7. Long Fresh vegetables		
Carrots, sliced	0.25-2.0 lb (0.11-0.9 kg)	Place in casserole. Add 1-4 tbsp. water. Cover with lid for tender vegetables. Use plastic wrap cover for tender-crisp vegetables. Stir before standing, if possible. After cooking, let stand, covered, 2-5 minutes.
Corn on the cob	2-4 pcs.	
Green beans	0.25-2.0 lb (0.11-0.9 kg)	
Winter squash:		
diced	0.25-2.0 lb (0.11-0.9 kg)	
halves	1-2	
8. Frozen Vegetables	0.25-2.0 lb (0.11-0.9 kg)	Cover with lid or plastic wrap. After cooking, stir and let stand 3 minutes, covered.
9. Ground Meat	0.25-2.0 lb (0.11-0.9 kg)	Use this setting to cook ground beef or turkey as patties or in a casserole to be added to other ingredients. Place patties on a microwave-safe rack and cover with wax paper. Place ground meat in a casserole and cover with wax paper or plastic wrap. When microwave stops, turn patties over or stir meat in casserole to break up large pieces. Re-cover and touch START/+30 SEC. After cooking, let stand, covered, for 2 to 3 minutes.
10. Frozen Entrées	0.5-3.0 lb (0.22-1.36 kg)	Use for frozen convenience foods. It will give satisfactory results for most brands. Remove package from outer wrapping and follow package directions for covering. After cooking, let stand, covered, for 1 to 3 minutes.

Microwave Features

MORE MENUS

MELT/SOFTEN/WARM

These features automatically compute the correct heating time and microwave power level for melting, softening and warming foods shown in the chart below.

1. Touch MORE MENUS pad once.
2. See Menu Label. Select desired food by touching number pad. Ex: Touch **2** for chocolate.
3. Repeat touching same number pad to select quantity.
Ex: Touch **2** two more times for 1 square.
4. Touch START/+30 SEC pad.

Note:

- To melt, soften or warm other food or foods above or below the quantity allowed on the MELT/SOFTEN/WARM CHART, use manual operation.

MELT/SOFTEN/WARM CHART

FOOD	AMOUNT	PROCEDURE
Melt		
Use a Pyrex measuring cup. Cover with plastic wrap.		
1. Butter	2 tbsp 0.5 cup	After touching MORE MENUS, touch 1 two times for 2 tbsp. After touching MORE MENUS, touch 1 three times for 0.5 cup.
2. Chocolate	1 cup chips 1 square	After touching MORE MENUS, touch 2 two times for 1 cup chips. After touching MORE MENUS, touch 2 three times for 1 square.
Soften		
DO NOT COVER.		
3. Ice Cream	1 pint 1.5 qt.	After touching MORE MENUS, touch 3 two times for 1 pint. After touching MORE MENUS, touch 3 three times for 1.5 quart.
4. Cream Cheese	3 oz. 8 oz.	After touching MORE MENUS, touch 4 two times for 3 oz. After touching MORE MENUS, touch 4 three times for 8 oz.
Warm		
Use a Pyrex measuring cup. DO NOT COVER.		
5. Syrup	0.25 cup 0.5 cup	After touching MORE MENUS, touch 5 two times for 0.25 cup. After touching MORE MENUS, touch 5 three times for 0.5 cup.
6. Dessert Toppings	0.25 cup 0.5 cup	After touching MORE MENUS, touch 6 two times for 0.25 cup. After touching MORE MENUS, touch 6 three times for 0.5 cup.
7. Beverage Reheat	0.5-2 cups	This setting is good for restoring a cooled beverage to a better drinking temperature. Touch 7 pad for a 0.5 cup increase per touch. Stir after heating.
8. Hot Water	1-6 cups	Use this setting for heating COLD TAP WATER to a temperature somewhat below the boiling point to make instant coffee or tea. Touch 8 for 1 cup increase per touch. Stir liquid briskly before and after heating to avoid sudden boilover.
9. Hot Cereal	1-6 servings	Use individual packets or bulk cereal in your favorite variety: oatmeal, oat bran, farina, etc. Follow the package directions for the correct amount of water or milk. To prevent boilovers, it is very important to choose a large container because microwave cooking of cereal causes high boiling. Touch 9 for 1 serving increase per touch. If the oven stops, stir and touch START/+30 SEC. After cooking, stir and let stand, covered, for 2 minutes.

Convection Features

BAKE

During convection heating, hot air is circulated throughout the oven cavity to brown and crisp foods quickly and evenly. This oven can be programmed for ten different convection cooking temperatures for up to 99 minutes, 99 seconds.

- Suppose you want to bake at 350°F for 20 minutes:
 1. Touch BAKE pad.
 2. Select temperature by touching number pad 6_{350 F}.
 3. Enter cooking time by touching number pads 2000.
 4. Touch START/+30 SEC pad.

ROAST

CONVECTION ROAST roasts chicken, turkey, turkey breast or pork.

- Suppose you want to roast a 2.5 pound chicken:
 1. Touch ROAST pad.
 2. Select desired setting. Ex: for chicken, touch number pad 7.
 3. Touch number pad to enter weight. Ex: 25 lb.
 4. Touch START/+30 SEC pad.

After CONVECTION ROAST cycle ends, a long tone will sound. Follow the indicated message.

GRILL

CONVECTION GRILL grills hamburgers, chicken pieces, steaks and fish steaks.

- Suppose you want to grill 2 hamburgers:
 1. Touch GRILL pad.
 2. Select desired setting. Ex: for hamburgers, touch number pad 1.
 3. Touch START/+30 SEC pad.

After grill preheat cycle ends, the oven will stop and directions will be displayed. Follow the indicated message. Open the door and place hamburgers into oven. Close the door.

4. Touch START/+30 SEC pad.

MORE MENUS

This section of the operation manual offers instructions for preparing 15 popular foods using CONVECTION BAKE, ROAST and GRILL.

After selecting the desired feature, follow the directions indicated in the display.

For helpful hints, simply touch TIMER/SETTINGS anytime HELP is lighted in the display.

Caution: The oven cabinet, cavity, door, turntable, turntable support, racks and dishes will become hot. To PREVENT BURNS, use thick oven gloves when removing the food or turntable from the oven.

MORE MENUS CHART

FOOD	AMOUNT	RACK	PROCEDURE
1. Biscuit	6-12 each	1 or 2 oven racks	Place oven racks inside the oven and preheat. Evenly space biscuits on an oven tray and set on the oven rack in the lower position when preheat is complete. If using more than one oven tray, set the second pan on the oven rack in the upper position. The biscuits are done when the tops turn golden brown.
2. Cookies Packaged	10-12	1 or 2 oven racks	Ideal for refrigerated cookie dough. Prepare according to package or recipe directions and place on a greased and floured low turntable rack. Cookies should be approximately 1/3 inch thick and 2 inches in diameter for best results. After the preheat is over, place pan in oven. Cool before serving.
3. Bundt Cake	1 cake	Low turntable rack	Ideal for packaged cake mix or your own recipe. Place low turntable rack in the oven during preheat. Prepare according to package or recipe directions and place in a greased and floured bundt pan. Place pan in oven on the low turntable rack. Cool before frosting and serving.
4. Pizza Thin/Classic/ Rising	1 frozen pizza	Low turntable rack	Place low turntable rack in the oven during preheat. When preheat is complete, place 1 frozen 10" pizza directly onto the low turntable rack toward the center. The pizza is done when the crust is golden brown and the cheese is melted. Let stand 5 minutes before serving.

Convection Features

MORE MENUS CHART

FOOD	AMOUNT	RACK	PROCEDURE
5. Breaded Shrimp	1-16 pieces	Oven rack, lower position	Evenly space frozen breaded shrimp on a baking sheet. Place on the oven rack in the lower position after preheating. The shrimp are done when golden brown. Let stand 2-3 minutes before serving.
6. Breaded Chicken Tenders	2-6 pieces	Oven rack, lower position	Evenly space frozen breaded chicken tenders on a baking sheet. Place on the oven rack in the lower position after preheating. The chicken tenders are done when golden brown. Let stand 3-5 minutes before serving.
7. Whole Chicken	2.5-7.5 lb	Oven rack, lower position	Place the low turntable rack in the oven during preheat. Season chicken as desired and place the tray on top of the low turntable rack after preheating. After cooking, remove from oven, cover with foil and allow to stand for 5-10 minutes.
8. Pork Tenderloin	1.0-3.0 lb	Oven rack, lower position	Boneless pork loin is recommended because it cooks evenly. Place on a low rack. After cooking, remove from oven, cover with foil and allow to stand 5-10 minutes. Internal temperature should be 160°F.
9. Turkey Breast	1.5-6.0 lb	Oven rack, lower position	Season, as desired. Place on low rack. After the cycle ends, cover with foil and let stand 10 minutes. Internal temperature of white meat should be 170°F.
10. Beef Hamburgers	2-4 patties 6 oz each	High turntable rack	Season as desired, and evenly space burgers toward the center of the high turntable rack; no preheating is necessary. Follow the oven prompt to flip burgers; to do so, carefully remove turntable and rack at the same time, flip burgers and slide the turntable and rack back inside of the oven. Press START/+30SEC to continue.
11. Turkey Burgers	2-4 patties 6 oz each	High turntable rack	Season as desired, and evenly space burgers toward the center of the high turntable rack; no preheating is necessary. Follow the oven prompt to flip burgers; to do so, carefully remove turntable and rack at the same time, flip burgers and slide the turntable and rack back inside of the oven. Press START/+30SEC to continue.
12. Drummies	1.0-2.5 lb	High turntable rack	Season drummies as desired and place directly onto high turntable rack with the thick portions toward the center of the rack.
13. Chicken Breast Boneless	2.0-4.0 lb	High turntable rack	Season chicken pieces as desired and place directly onto High Turntable Rack, evenly spaced. Flip at 27 minutes (follow instructions on oven display).
14. Fish Fillet	2-4 pieces 6 oz each	High turntable rack	Season fillets as desired and place directly onto High Turntable Rack, evenly spaced. Flip at 7 minutes (follow instructions on oven display).
15. Veggie Burger	2-4 patties 3 oz each	High turntable rack	Place patties directly onto High Turntable Rack, evenly spaced. Flip at 7 minutes (follow instructions on oven display).

Convection Features

WARNING: DO NOT USE ALUMINUM FOIL TO COVER OR SHIELD FOOD WHEN USING SPEED BAKE OR SPEED ROAST. THE MICROWAVE IS ACTIVE DURING THESE COOKING CYCLES. THE USE OF ANY METAL OTHER THAN THE PROVIDED OVEN RACKS AND HIGH AND LOW TURNTABLE RACKS INCREASES THE RISK OF ARCING AND POSSIBLY FIRE INSIDE OF THE OVEN CAVITY.

SPEED BAKE

This cook function provides superior results for baked goods that require more than 20 minutes baking time. The SPEED BAKE cooking function cycles the oven's power between 90% convection oven and 10% microwave power to create golden brown exteriors and perfectly moist interiors for foods such as Bundt cakes, quick breads and muffins.

SPEED ROAST

This is ideal for larger, dense cuts of meat and whole poultry. The SPEED ROAST cooking function cycles the oven's power between 70% convection oven and 30% microwave power. This allows for reduced cooking time as the microwaves directly and rapidly heat the food internally while convection function circulates dry, heated air throughout the oven cavity to provide even cooking with browning for crispy exteriors while the inside retains its juicy texture.

	DEFAULT OVEN TEMPERATURE	MICROWAVE POWER
SPEED BAKE	325°F	10%
SPEED ROAST	300°F	30%

With the exception of those foods that cook best by convection heating alone, most foods are well suited to mix cooking using either SPEED BAKE or SPEED ROAST.

The marriage of these two cooking methods produces juicy meats, moist and tender cakes and fine textured breads, all with just the right amount of browning and crispness.

The temperatures can be changed; however, the microwave power cannot.

The oven temperature can be changed from 100°F to 450°F. To change the temperature, first touch SPEED ROAST or SPEED BAKE then touch the same pad again. When the display says SELECT TEMP, touch desired temperature pad. Ex: SPEED ROAST, SPEED ROAST pad, [7]. The temperature will change to 375°F automatically.

TO COOK WITH SPEED FUNCTIONS

- Suppose you want to bake a cake for 25 minutes on SPEED BAKE:
 1. Touch SPEED BAKE pad.
 2. Enter cooking time by touching number pads [2][5][0][0].
 3. Touch START/+30 SEC pad.

TO PREHEAT AND COOK WITH SPEED FUNCTIONS

Your oven can be programmed to combine preheating and speed functions cooking operations. You can preheat at the same temperature as the preset combination temperature or change it to a different temperature.

- Suppose you want to preheat to 350°F and then cook 25 minutes on 325°F SPEED BAKE:
 1. Touch Preheat pad.
 2. Touch temperature pad [6]_{350 F}.
 3. Touch SPEED BAKE pad.
 4. Touch SPEED BAKE pad once more to change the cooking temperature.
 5. Touch temperature pad [5]_{325 F}.
 6. Enter cooking time by touching number pads [2][5][0][0].
 7. Touch START/+30 SEC pad.

When the oven reaches the programmed temperature, signal will sound 4 times*. The oven will stop and directions will be displayed. Follow the indicated message.

8. Open the door. Place food in the oven. Close the door. Touch START/+30 SEC pad.

* If the oven door is not opened, the oven will automatically hold at the preheat temperature for 30 minutes. After this time has elapsed, an audible signal will sound and the oven will turn off.

Note: To program only preheat, touch the START/+30 SEC pad after step 2. Preheating will start. When the oven reaches the programmed temperature, follow the indicated message.

HELPFUL HINTS FOR CONVECTION AND SPEED FUNCTIONS COOKING

Your Convection Oven can cook any food perfectly because of the number of ways it can cook: microwave only, speed functions, convection only or grill. This Operation Manual tells you how to program the oven.

The oven cannot be used without the turntable in place. Never restrict the movement of the turntable.

Convection Features

CONVECTION COOKING:

1. When preheating, the turntable can be left in or removed. When using the high rack for 2 shelf baking in a preheated oven, it is easier to remove the turntable for preheat.

Place high rack on turntable along with foods. When preheat is over, open oven door and quickly place turntable, high rack and foods to be baked inside.

2. Do not cover turntable, low rack or high rack with aluminum foil. It interferes with air flow that cooks food.
3. Round pizza pans are excellent cooking utensils for many convection-only items. Choose pans that do not have extended handles.
4. Using a preheated low rack can give a grilled appearance to steaks, hot dogs etc.

SPEED FUNCTIONS COOKING:

1. Meats are best when roasted directly on the low rack. A dish can be placed below the meat if gravy is to be made from the drippings.
2. Less tender cuts of meat can be roasted and tenderized using oven cooking bags.
3. When baking, check for doneness after time has elapsed. If not completely done, let stand in oven a few minutes to complete cooking.

Other Convenient Features

MULTIPLE SEQUENCE COOKING

The oven can be programmed for up to 4 automatic cooking sequences for the microwave mode and 2 automatic cooking sequences with preheat for SPEED BAKE/SPEED ROAST mode, switching from one power level setting to another automatically.

Sometimes cooking directions tell you to start on one power level and then change to a different power level. Your oven can do this automatically.

- Suppose you want to cook roast beef for 5 minutes at 100% and then continue to cook for 30 minutes at 50%.
 1. First touch POWER LEVEL pad twice for 100% power. Then enter cooking time.
 2. Touch POWER LEVEL pad. Touch number pad **[5]** for 50% power. Then enter second cooking time.
 3. Touch START/+30 SEC pad.

Note:

1. If POWER LEVEL pad is touched twice, HIGH will be displayed.
2. If you wish to know power level, simply touch the POWER LEVEL pad. As long as your finger is touching the POWER LEVEL pad, the power level will be displayed.

SETTINGS/TIMER

Settings provides 7 features which make using your oven easy because specific instructions are provided in the interactive display.

1. CLOCK

To set clock:

1. Touch TIMER/SETTINGS pad twice.
2. Enter the correct time of day by touching the numbers in sequence. Touch START/+30 SEC pad.

2. TIMER

- Suppose you want to set a timer for 3 minutes.
 1. Touch TIMER/SETTINGS pad 3 times.
 2. Enter time by touching the number pads **[3][0][0]**.
 3. Touch START/+30 SEC pad.

3. AUDIBLE SIGNAL ELIMINATION

If you wish to have the oven operate with no audible signals, touch TIMER/SETTINGS 4 times and START/+30 SEC pads.

To cancel and restore the audible signal, touch TIMER/SETTINGS 4 times and START/+30 SEC pads.

4. REMIND SIGNAL

If you wish to have the oven operate with no remind signal, touch TIMER/SETTINGS 5 times and START/+30 SEC pads.

To cancel and restore the remind signal, touch TIMER/SETTINGS 5 times and START/+30 SEC pads.

5. WEIGHT UNIT LBS/KGS

The oven's default temperature is set to U.S. Customary Unit-pounds. To change to KGS, touch TIMER/SETTINGS 6 times and the number **[6]**. Then, touch START/+30 SEC pad.

To change to LBS, touch TIMER/SETTINGS 6 times and the number **[1]**. Then, touch START/+30 SEC pad.

6. TEMPERATURE SELECTIONS

The oven's default temperature setting is °F. To change to °C, touch TIMER/SETTINGS 7 times and the number **[1]**. Then, touch START/+30 SEC pad.

To change to °F, touch TIMER/SETTINGS 7 times and the number **[6]**. Then, touch START/+30 SEC pad.

7. DEMONSTRATION MODE

To demonstrate, touch TIMER/SETTINGS 8 times and then touch START/+30 SEC pad and hold for 3 seconds. **DEMON** will appear in the display. Cooking operations and specific special features can now be demonstrated with no power in the oven. For example, touch START/+30 SEC pad and the display will show **1:00** and count down quickly to **END**.

To cancel, touch TIMER/SETTINGS 8 times and then touch START/+30 SEC pads. If easier, unplug the oven from the electrical outlet and replug.

+30 SEC

+30 SEC allows you to cook for 30 seconds at 100% by simply touching the START/+30 SEC pad. You can also extend cooking time in multiples of 30 seconds by repeatedly touching the START/+30 SEC pad during manual cooking up to 99 minutes.

Note:

- To use +30 SEC, touch pad within 3 minutes after cooking, closing the oven door or touching the STOP/CLEAR pad.
- +30 SEC cannot be used with Sensor settings, REHEAT or DEFROST.

Other Convenient Features

CONTROL LOCK

The Safety Lock prevents unwanted oven operation such as by small children. The oven can be set so that the control panel is deactivated or locked. To set, touch STOP/CLEAR pad and hold for 3 seconds. Should a pad be touched, **LOCK ON** will appear in the display.

To cancel, touch STOP/CLEAR pad and hold for 3 seconds.

HELP (DISPLAY INDICATOR)

Many of the settings have cooking hints. If you wish to check, touch TIMER/SETTINGS pad whenever HELP is lighted in the Interactive Display for these hints.

Cleaning and Care

Disconnect the power cord before cleaning or leave the door open to inactivate the oven during cleaning.

EXTERIOR

The outside surface is precoated metal and plastic. Clean the outside with mild soap and water; rinse and dry with a soft cloth. Do not use any type of household or abrasive cleaner.

DOOR

Wipe the window on both sides with a damp cloth to remove any spills or spatters. Metal parts will be easier to maintain if wiped frequently with a damp cloth. Avoid the use of spray and other harsh cleaners as they may stain, streak or dull the door surface.

TOUCH CONTROL PANEL

Care should be taken in cleaning the touch control panel. If the control panel becomes soiled, open the oven door before cleaning. Wipe the panel with a cloth dampened slightly with water only. Dry with a soft cloth. Do not scrub or use any sort of chemical cleaners. Close door and touch STOP/CLEAR pad.

INTERIOR - AFTER MICROWAVE COOKING

Cleaning is easy because little heat is generated to the interior surfaces; therefore, there is no baking and setting of spills or spattering. To clean the interior surfaces, wipe with a soft cloth and warm water. **DO NOT USE ABRASIVE OR HARSH CLEANERS OR SCOURING PADS.** For heavier soil, use baking soda or a mild soap; rinse thoroughly with hot water. **NEVER SPRAY OVEN CLEANERS DIRECTLY ONTO ANY PART OF THE Oven.**

INTERIOR - AFTER CONVECTION, SPEED BAKE OR SPEED ROAST

Spatters may occur because of moisture and grease. Wash immediately after use with hot, soapy water. Rinse and polish dry. Harder to remove spatters may occur if oven is not thoroughly cleaned or if there is long time/high temperature cooking. If so, you may wish to purchase an oven cleaner pad with liquid cleaner within it—not a soap filled steel pad—for use on stainless or porcelain surfaces. Follow manufacturer's directions carefully and be especially cautious not to get any of the liquid cleaner in the perforations on the wall or ceiling or any door surfaces. Rinse thoroughly and polish dry.

After cleaning the interior thoroughly, residual grease may be removed from the interior ducts and heater by simply operating the oven on 450°F for 20 minutes without food. Ventilate the room if necessary.

WAVEGUIDE COVER

The waveguide cover is made from mica so it requires special care. Keep the waveguide cover clean to assure good oven performance. Carefully wipe with a damp cloth any food spatters from the surface of the cover immediately after they occur. Built-up splashes may overheat and cause smoke or possibly catch fire. Do not remove the waveguide cover.

ODOR REMOVAL

Occasionally, a cooking odor may remain in the oven. To remove, combine 1 cup water, grated peel and juice of 1 lemon and several whole cloves in a 2-cup glass measuring cup. Boil for several minutes using 100% power. Allow to set in oven until cool. Wipe interior with a soft cloth.

TURNTABLE/TURNTABLE SUPPORT

The turntable, turntable support and racks can be removed for easy cleaning. Wash them in mild, sudsy water; for stubborn stains use a mild cleanser and a non-abrasive scouring sponge. They are also dishwasher-proof. Use top rack of dishwasher for turntable support.

Foods with high acidity, such as tomatoes or lemons, will cause the porcelain enamel turntable to discolor. Do not cook highly acidic foods directly on the turntable; if spills occur, wipe up immediately.

The turntable motor shaft is not sealed, so excess water or spills should not be allowed to stand in this area.

Specifications

AC Line Voltage:	UL Rating-Single phase 240V, 50Hz, AC only CSA Rating-Single phase 220V, 50Hz, AC only
AC Power Required:	UL /CSA Rating 11.5 A, 2550W
Output Power:	
Microwave*	950 watts
Convection Heater	1600 watts
Frequency:	2450 MHz
Outside Dimensions (WxHxD):	29 1/2" x 17 7/8" x 25 13/16" (749.3 x 454.02 x 655.6 mm)
Cavity Dimensions (WxHxD):	17 1/16" x 9 7/16" x 16 15/16" (433.4 x 239.7 x 430.2 mm)
Oven Capacity:**	1.6 Cu. Ft.
Cooking Uniformity:	Turntable system, diameter 16" (3406.4 mm)

* The International Electrotechnical Commission's standardized method for measuring output wattage. This test method is widely recognized.

** Internal capacity is calculated by measuring maximum width, depth and height. Actual capacity for holding food is less.

In compliance with standards set by:

FCC – Federal Communications Commission Authorized.

DHHS – Complies with Department of Health and Human Services (DHHS) rule, CFR, Title 21, Chapter I, Subchapter J.

 – This symbol on the nameplate means the product is listed by Underwriters Laboratories, Inc. for use in USA or Canada.

NHW – Department of National Health and Welfare of Canada.

This oven is listed by the Canadian Standard Association as certified.

Service Call Check

Please check the following before calling for service:

1. Place one cup of water in a glass measuring cup in the oven and close the door securely.

Operate the oven for one minute at HIGH 100%.

- A Does the oven light come on?

YES _____ NO _____

- B Does the cooling fan work?
(Put your hand over the rear ventilating openings.)

YES _____ NO _____

- C Does the turntable rotate?
(It is normal for the turntable to turn in either direction.)

YES _____ NO _____

- D Is the water in the oven warm?

YES _____ NO _____

2. Remove water from the oven and operate the oven for 5 minutes at Convection 450°F.

Operate the oven for one minute at HIGH 100%.

- A Do CONV and COOK indicators light?

YES _____ NO _____

- B After the oven shuts off, is inside of the oven hot?

YES _____ NO _____

If "NO" is the answer to any of the above questions, please check electrical outlet, fuse and/or circuit breaker. If they are functioning properly, CONTACT YOUR NEAREST AUTHORIZED SERVICER.

A oven should never be serviced by a "do-it-yourself" repair person.

Note:

If time appearing in the display is counting down very rapidly, check Demonstration Mode on page 24 and cancel.

Oven Warranty

TWO YEAR FULL WARRANTY

Convection/Speed Microwave Ovens and all of their component parts, except as detailed below*, are warranted to be free from defective materials or workmanship in residential household use for a period of two (2) years from the date of original retail purchase. Viking Range, warrantor, agrees to repair or replace at its option, any part which fails or is found to be defective during the warranty period. Warranty service must be performed by a Viking Range LLC authorized service agency or representative.

* 90 Day Cosmetic Warranty: Products are warranted to be free from cosmetic defects in material or workmanship for a period of 90 days from the date of original retail purchase. This warranty covers manufacturing based defects only and does not cover issues resulting from handling or installation. Inspection of the product should be made at time of delivery. Any defects must be reported to the selling dealer within the 90 day period. Viking Range LLC uses the most up to date processes and the best materials available to produce all color finishes. However, slight color variation may be noticed because of the inherent differences in painted parts and porcelain parts as well as differences in product location and natural or artificial lighting. Warranty service must be performed by a Viking Range LLC authorized service agency or representative.

* 90 Day Residential Plus: Viking products are designed and certified for residential use only. They are not intended for use in commercial applications. Viking products should only be used in accordance to national and local codes.

Viking is not responsible for property damage or injury resulting from use in a commercial application. To support the manufacturing quality of its appliance's Viking will provide a full 90 day warranty for products used in "Residential Plus" applications. This "Residential Plus" warranty applies to applications where use of the product extends beyond residential use but is in compliance with national and local code. In some jurisdictions these applications are zoned as residential. Examples of, but not limited to, such applications covered by this warranty are bed and breakfasts, fire stations, private clubs, churches, condominium/apartment common areas etc. Under this "Residential Plus" warranty, the product, its components and accessories are warranted to be free from defective material or workmanship for a period of ninety (90) days from the date of original retail purchase. Viking Range, LLC, warrantor, agrees to repair or replace, at its option, any part which fails or is found to be defective during the warranty period. This warranty covers parts and labor. This warranty excludes use of the product in all commercial locations such as restaurants, food service locations and institutional food service locations.

FIVE YEAR LIMITED WARRANTY

If the magnetron tube fails due to defective materials or workmanship in normal household use during the third through fifth year from the date of original retail purchase it will be repaired or replaced, free of charge for the part itself, with the owner paying all other costs, including labor.

WARRANTY TERMS

This warranty extends to the original retail purchaser of the product warranted hereunder and to each transferee owner of the product during the term of the original purchaser's warranty. The warranty is transferable by the original retail purchaser via home sale only. If a transferee owner is unable to provide proof of purchase from the original purchaser and the product has not been previously registered, the production date of the product, located in the serial number on the product, will serve as the effective warranty start date.

The activation date of the warranty begins from the date of original retail purchase. In the case of new product purchase via building development sales, activation begins from the earlier date of either certificate of occupancy or 24 months from date of manufacture. Note date of manufacture is identified by serial tag on product.

This warranty does not cover units purchased as b-stock, liquidation, salvage, seconds, refurbished, as-is, used products.

This warranty shall apply to products purchased in the United States and Canada. Products must be purchased in the country where service is requested. Warranty service must be performed by a Viking Range LLC authorized service agency or representative. Warranty shall not apply to damage resulting from abuse, accident, natural disaster, loss of electrical power to the product for any reason, alteration, improper installation, improper operation, or repair service of the product by anyone other than a Viking Range LLC authorized service agency or representative. This warranty does not apply to commercial usage. Warrantor is not responsible for consequential or incidental damage whether arising out of breach of warranty, breach of contract or otherwise. Some jurisdictions do not allow the exclusion or limitation of incidental or consequential damages, so the above limitations do not apply to you.

Owner shall be responsible for proper installation, providing normal care and maintenance, providing proof of purchase upon request, and making the product reasonably accessible for service. If the product or one of its component parts contains a defect or malfunction during the warranty period, after a reasonable number of attempts by the warrantor to remedy the defects or malfunctions, the owner is entitled to either a refund or replacement, at the warrantor's discretion of the product or its component part or parts. Warrantor's liability on any claim of any kind, with respect to the goods or services covered hereunder, shall in no case exceed the price of the goods or service or part thereof which gives rise to the claim.

WARRANTY SERVICE

Under the terms of this warranty, service must be performed by a Viking Range LLC authorized service agent or representative. Service will be provided during normal business hours. Labor performed at overtime or premium rates shall not be covered by the warranty. To obtain warranty service contact Viking Range LLC Customer Care at 1-888-845-4641. Please have model number, serial number, and date of original purchase available when calling. IMPORTANT: retain proof of original purchase to establish warranty period. The return of the owner registration card is not a condition of warranty coverage. You should, however, return the owner registration card so Viking Range LLC can contact you should any question of safety arise which could affect you. Any implied warranties of merchantability and fitness applicable to the above described burner assemblies, infrared rotisserie burners, grill grates, and stainless steel parts are limited in duration to the period of coverage of the applicable express written limited warranties set forth above. Some jurisdictions do not allow limitations on how long an implied warranty lasts, so the above limitations may not apply to you. This warranty gives you specific legal rights, and you may also have other rights which may vary from jurisdiction to jurisdiction.

Specifications subject to change without notice.

VIKING RANGE, LLC
111 FRONT STREET
GREENWOOD, MISSISSIPPI 38930 USA
(662) 455-1200

FOR PRODUCT INFORMATION
CALL 1-888-845-4641
OR VISIT OUR WEB SITE AT VIKINGRANGE.COM

Manual de uso y cuidado



Horno microondas con
convección/velocidad
VMDD5306SS

Información de servicio

Si se necesita servicio:

1. Llame a su agencia de servicio autorizada.
2. Debe tener disponible la siguiente información:
 - a. Número de modelo
 - b. Número de serie
 - c. Fecha de compra
 - d. Nombre del distribuidor al que le realizó la compra
3. Describa claramente el problema que tiene.

Si no puede obtener el nombre de una agencia de servicio autorizada o si continúa teniendo un problema de servicio, comuníquese con Viking Range, LLC al teléfono (888) 845-4641 o escriba a:

VIKING RANGE, LLC
PREFERRED SERVICE
111 Front Street
Greenwood, Mississippi (MS) 38930 USA

Registre la información que se indica a continuación. Será necesaria si alguna vez requiere del servicio. El número de modelo y de serie de su horno microondas se encuentra en la etiqueta de identificación al lado izquierdo de la cavidad del horno.

Número de modelo _____ Número de serie _____

Fecha de compra _____ Fecha de instalación _____

Nombre del distribuidor _____

Dirección _____

Si el servicio requiere de instalación de partes, use sólo las partes autorizadas para garantizar la protección bajo la garantía.

CONSERVE ESTE MANUAL PARA REFERENCIA FUTURA

PRECAUCIONES PARA EVITAR POSIBLES EXPOSICIONES AL EXCESO DE ENERGÍA DEL MICROONDAS

- (a) No trate de operar este horno con la puerta abierta ya que la operación puede provocar una exposición perjudicial a la energía del microondas. No altere o manipule indebidamente los interbloques de seguridad.
- (b) No coloque ningún objeto entre la parte frontal del horno y la puerta ni deje que se acumulen restos de limpiadores o suciedad en las superficies de sellado.
- (c) No opere el microondas si tiene daños. Es muy importante que la puerta del horno microondas cierre adecuadamente y que no haya daños a: (1) la puerta (doblada), (2) las bisagras y los cerrojos (rotos o flojos), (3) los sellos de la puerta y las superficies de sellado.
- (d) El horno sólo debe ser ajustado o reparado por el personal de servicio calificado apropiado.

Tabla de Contenido

2 INFORMACIÓN DE SERVICIO	15-19 CARACTERÍSTICAS DEL MICROONDAS
2 PRECAUCIONES PARA EVITAR POSIBLES EXPOSICIONES A EXCESO DE ENERGÍA DE MICROONDAS	15 DEFROST (DESCONGELAR)
3 TABLA DE CONTENIDO	16 COCCIÓN POR SENSOR
4 INSTRUCCIONES DE SEGURIDAD IMPORTANTES	16-17 REHEAT (RECALENTAR)
5 INSTRUCCIONES DE INSTALACIÓN	16-17 POPCORN (PALOMITAS DE MAÍZ)
6 INSTRUCCIONES PARA CONEXIÓN A TIERRA	17-18 COOK (COCCIÓN)
7-10 INFORMACIÓN QUE DEBE CONOCER	19 MORE MENUS (MÁS MENÚS)
7 SOBRE SU HORNO	20-23 CARACTERÍSTICAS DE LA CONVECCIÓN
7 SOBRE LA COCCIÓN POR MICROONDAS	20 BAKE (HORNEAR)
7 SOBRE LOS NIÑOS Y EL MICROONDAS	20 ROAST (ASAR)
8 SOBRE SEGURIDAD	20 GRILL (A LA PARRILLA)
8-9 SOBRE LOS UTENSILIOS Y ENVOLTURAS	20-22 MORE MENUS (MÁS MENÚS)
10 SOBRE LOS ALIMENTOS	22 SPEED BAKE (HORNEAR CON VELOCIDAD)
11-12 NOMBRE DE LAS PARTES	22 SPEED ROAST (ASAR CON VELOCIDAD)
11 PARTES DEL HORNO	23 CONSEJOS ÚTILES PARA COCCIÓN MEDIANTE LAS FUNCIONES DE CONVECCIÓN Y VELOCIDAD
11 ACCESORIOS	24-25 OTRAS FUNCIONES CONVENIENTES
12 PANEL DE CONTROL	24 COCCIÓN EN SECUENCIAS MÚLTIPLES
12 ETIQUETA DE MENÚ	24 SETTING/TIMER (AJUSTE/TEMPORIZADOR)
13 ANTES DE OPERAR	24 +30 SEC (+30 SEGUNDOS)
13 PARA CONFIGURAR EL RELOJ	25 BLOQUEO DE CONTROL
13 STOP/CLEAR (PARAR/BORRAR)	25 HELP (AYUDA - INDICADOR DE PANTALLA)
14 OPERACIÓN MANUAL	26 LIMPIEZA Y CUIDADO
14 COCCIÓN POR TIEMPO	27 ESPECIFICACIONES
14 PARA FIJAR EL NIVEL DE POTENCIA	28 REVISIÓN PARA SOLICITUD DE SERVICIO
14 DESCONGELAMIENTO MANUAL	29 GARANTÍA

INSTRUCCIONES DE SEGURIDAD IMPORTANTES

Al usar artefactos eléctricos deben tomarse precauciones de seguridad básicas, incluyendo las siguientes:

ADVERTENCIA - Para reducir el riesgo de quemaduras, descarga eléctrica, incendios, lesiones a personas o exposición al exceso de energía del microondas:

1. Lea todas las instrucciones antes de usar el artefacto.
2. Lea y siga la sección específica "PRECAUCIONES PARA EVITAR LA POSIBLE EXPOSICIÓN AL EXCESO DE ENERGÍA DEL MICROONDAS" en la página 2.
3. Este artefacto debe ser conectado a tierra. Conéctela únicamente a un tomacorriente puesto a tierra adecuadamente. Vea "INSTRUCCIONES DE CONEXIÓN ELÉCTRICA A TIERRA" en la página 6.
4. Instale o coloque este artefacto sólo de acuerdo a las instrucciones de instalación proporcionadas.
5. Algunos productos como huevos enteros y recipientes sellados—por ejemplo, frascos de vidrio cerrados—pueden explotar y no deben ser calentados en este horno.
6. Use este artefacto sólo para el uso destinado como se describe en este manual. No use productos químicos ni vapores corrosivos en este artefacto. Este tipo de horno está diseñado específicamente para calentar, cocinar o deshidratar los alimentos. No está diseñado para uso industrial o de laboratorio.
7. Como cualquier artefacto, una supervisión adecuada es necesaria cuando lo usen los niños.
8. No haga funcionar este artefacto si el cable de energía o enchufe están dañados, si no funciona apropiadamente o si tiene daños o se ha caído.
9. Este artefacto debe recibir servicio sólo del personal de servicio calificado. Comuníquese con el Personal de servicio autorizado más cercano para una evaluación, reparación o ajuste.
10. No cubra ni bloquee ninguna abertura del artefacto.
11. No guarde ni use este artefacto en exteriores. No use este producto cerca del agua—por ejemplo, cerca del fregadero de la cocina, de una base mojada, de piscinas o lugares similares.
12. No sumerja el cable de energía o enchufe en el agua.
13. Mantenga el cable alejado de superficies calientes.
14. No deje que el cable cuelgue sobre el borde de la mesa o cubierta de cocina.
15. Vea las instrucciones para limpiar la superficie de la puerta en la página 26.
16. Para reducir el riesgo de incendio en la cavidad del horno:
 - a. No cocine demasiado los alimentos. Preste cuidadosa atención al electrodoméstico cuando coloque papel, plástico u otros materiales combustibles dentro del horno para facilitar la cocción.
 - b. Retire los sujetadores de alambre de las bolsas de papel o de plástico antes de colocar las bolsas en el horno.
 - c. **Si los materiales en el horno empiezan a arder, mantenga cerrada la puerta del horno, apáguelo y desconecte el cable de energía o desconecte la energía en la caja de fusibles o en el panel de interruptores automáticos.**
 - d. No use la cavidad para almacenar objetos. No deje productos de papel, utensilios de cocina o alimentos en la cavidad cuando no lo use.
17. Los líquidos, como agua, café o té pueden sobrecalentarse más allá del punto de ebullición sin que pueda notarse que están hirviendo. No siempre habrá burbujas o vapor de ebullición visibles al retirar el recipiente del horno. **ESTO PUEDE CAUSAR UN DERRAME IMPREVISTO DE LÍQUIDOS DEMASIADO CALIENTES AL INTRODUCIR UNA CUCHARA U OTRO UTENSILIO EN EL LÍQUIDO.**

Para reducir el riesgo de lesiones a personas:

 - a. No sobrecaliente el líquido.
 - b. Revuelva el líquido antes y a la mitad del calentamiento.
 - c. No use un recipiente de paredes rectas y boca angosta. Use un recipiente de boca ancha.
 - d. Después de calentar, deje que el recipiente en el horno por lo menos 20 segundos antes de retirarlo.
 - e. Tenga extremo cuidado al insertar una cuchara u otro utensilio en el recipiente.
18. Si el horno microondas va a ser empotrado, siga las siguientes instrucciones:
 - a. No debe montarse sobre un fregadero.
 - b. No almacene nada directamente encima de la superficie del artefacto cuando el artefacto se encuentre en operación.
19. Si la luz del horno no funciona, consulte al PERSONAL DE SERVICIO AUTORIZADO.

GUARDE ESTAS INSTRUCCIONES

Instrucciones de instalación

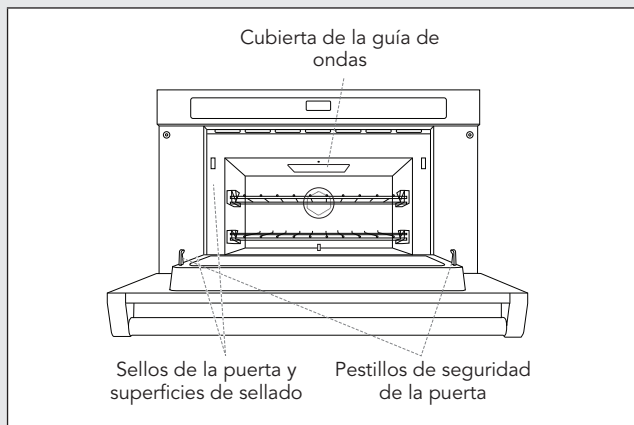
DESEMBALAJE Y VERIFICACIÓN DE SU HORNO

Retire todos los materiales de empaque que están dentro de la cavidad del horno; sin embargo, **NO RETIRE LA CUBIERTA DE LA GUÍA DE ONDAS** que se encuentra en la pared superior de la cavidad. Lea los anexos y **GUARDE** el Manual de instalación/uso y cuidado.

Revise que el horno no tenga daños, como mal alineamiento o inclinación, sellos de la puerta y superficies de sellado dañados, o bisagras y cerrojos de la puerta rotos o flojas y abolladuras en la cavidad o en la puerta. Si encuentra algún daño, no haga funcionar el horno y comuníquese con su agente de servicio local autorizado.

SELECCIONE UNA UBICACIÓN

Su horno puede integrarse en un gabinete o pared por sí mismo, encima de cualquier horno eléctrico incorporado, cajón calefactor o debajo de una estufa o mostrador. Si se instala encima de un horno o cajón calentador, deje 2 pulgadas de espacio entre los productos.



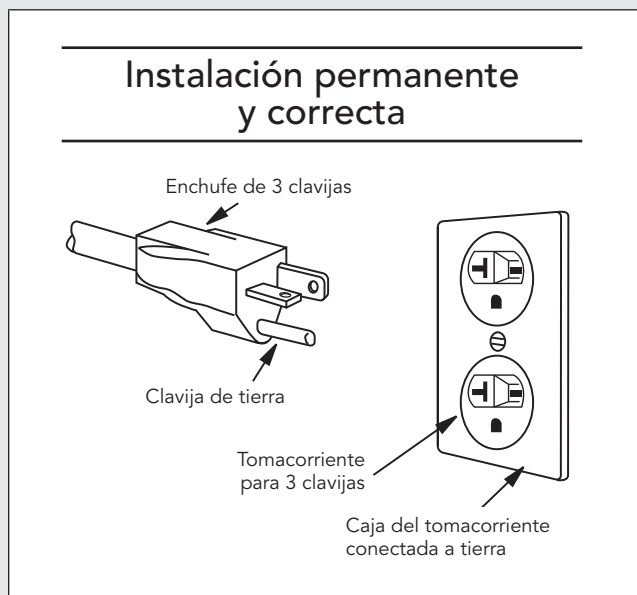
Instrucciones para conexión a tierra

Este artefacto debe ser conectado a tierra. Este horno está equipado con un cable que tiene un alambre a tierra y un enchufe con conexión a tierra. Debe conectarlo en un tomacorriente de pared instalado y conectado a tierra apropiadamente de acuerdo con el Código eléctrico nacional y los códigos y reglamentos locales. En caso de que se produzca un cortocircuito eléctrico, la conexión a tierra reduce el riesgo de descarga eléctrica proporcionando una vía de escape para la corriente eléctrica.

ADVERTENCIA – El uso inapropiado del enchufe con conexión a tierra puede causar una descarga eléctrica.

REQUISITOS ELÉCTRICOS

- El tomacorriente debe estar fácilmente accesible para que la unidad se pueda desconectar fácilmente en caso de emergencia. La alimentación eléctrica debe ser 220-240 VCA, 50 Hz, con un interruptor termomagnético de distribución con capacidad mínima de 1.6 kW. Deberá ser posible aislar el artefacto de la alimentación eléctrica incorporando un interruptor en el cableado fijo con apego a los códigos eléctricos. Se recomienda un circuito por separado que sea sólo para este electrodoméstico. No guarde ni use este horno en exteriores.
- No opere el horno con la puerta abierta o altere los cerrojos de seguridad de la puerta en cualquier forma. No opere el horno si hay cualquier objeto entre los sellos de la puerta y las superficies de sellado.



IMPORTANTE: Si usted no está seguro de cómo conectar su horno, consulte a un electricista autorizado y calificado.

Nota:

1. Si tiene alguna pregunta sobre las instrucciones eléctricas o de conexión a tierra, consulte a un electricista calificado o al encargado de brindar el servicio.
2. Ni Viking Range, LLC ni el distribuidor pueden aceptar ninguna responsabilidad por daños al horno o lesiones personales causadas por no seguir los procedimientos de conexión eléctrica correctos.

INTERFERENCIA DE RADIO O TELEVISIÓN

Si hubiera cualquier interferencia causada por el horno microondas en su radio o TV, revise que el horno esté conectado a un circuito eléctrico distinto, aleje la radio o TV del horno lo más que pueda o revise la posición y señal de la antena de recepción.

PARA EVITAR LA POSIBILIDAD DE DESCARGA ELÉCTRICA:

- Si el cable de alimentación eléctrica de este artefacto está dañado, debe ser remplazado por un cable especial. El cambio lo debe hacer un agente de servicio autorizado.

PARA EVITAR LA POSIBILIDAD DE QUEMADURAS

- Evite apoyarse o columpiarse de la puerta del horno. No juegue con el horno o lo use como un juguete. Se debe enseñar a los niños todas las instrucciones de seguridad eléctricas: uso de los agarra ollas, retiro cuidadoso de las cubiertas de los alimentos; prestar atención especial al embalaje (por ejemplo, materiales que se autocalientan) diseñados para hacer crujientes los alimentos, ya que pueden estar excesivamente calientes.

Información que debe conocer

SOBRE SU HORNO

Este Manual de instalación/uso y cuidado es valioso: léalo detalladamente y guárdelo para futura referencia.

Un buen libro de cocina para microondas es muy útil. Consúltelo sobre principios, técnicas, sugerencias y recetas de cocina en microondas.

NUNCA use el horno sin el plato giratorio ni el soporte ni dé vuelta al plato giratorio para colocar un plato grande en el horno. El plato giratorio girará en sentido horario y antihorario.

SIEMPRE coloque alimentos dentro del horno durante su operación para que absorban la energía del microondas.

Al usar el horno con niveles de potencia por debajo del 100%, usted podría escuchar que el magnetrón se enciende y apaga. Es normal que la parte exterior del horno esté caliente al tacto cuando cocina o recalienta.

La condensación es una parte normal de la cocción con microondas. La humedad ambiental y la humedad en la comida influirán en la cantidad de humedad que se condense en el horno. Generalmente, los alimentos cubiertos no producirán tanta condensación como los no cubiertos. No bloquee las ranuras de ventilación en la parte posterior.

Después de usar CONVECCIÓN, FUNCIONES DE VELOCIDAD o MÁS MENÚS POR CONVECCIÓN, escuchará el sonido del ventilador de enfriamiento. El ventilador puede continuar funcionando hasta por 5 minutos dependiendo de la temperatura del horno.

Tenga en cuenta que a diferencia de los hornos microondas convencionales, los hornos por convección tienden a calentarse durante la cocción por CONVECTION (Convección), SPEED FUNCTION (Funciones de velocidad) y CONVECTION MORE MENUS (Más menús por convección).

El uso del horno es sólo para la preparación de los alimentos. No debe usarse para secar ropa o periódicos.

Su horno microondas tiene una capacidad nominal de 950 vatios determinados con el Procedimiento de prueba IEC. Al seguir instrucciones de recetas o de productos envasados, verifique los alimentos uno o dos minutos antes del tiempo mínimo y aumente tiempo según corresponda.

SOBRE LA COCCIÓN POR MICROONDAS

- Distribuya los alimentos con cuidado. Coloque las áreas más gruesas hacia la parte exterior del plato.
- Verifique el tiempo de cocción. Cocine durante el período de tiempo más corto indicado y aumente como sea necesario. Los alimentos que se cocinan en exceso pueden quemarse o encenderse.

- Cubra los alimentos durante su cocción. Consulte la receta o el libro de cocina para obtener sugerencias: Toallas de papel, papel encerado, película plástica para microondas o una tapa. Las cubiertas evitan derrames y permiten que los alimentos se cocinen de manera uniforme.
- Revuelva los alimentos desde afuera hacia el centro del plato una o dos veces durante la cocción, si es posible.
- Voltee los alimentos una vez durante la cocción en microondas para acelerar la cocción de alimentos como pollo y hamburguesas. Los alimentos grandes como asados deben voltearse al menos una vez.
- Reacomode los alimentos como albóndigas a la mitad de la cocción desde la parte superior a la inferior y desde el centro del plato hacia el exterior.
- Deje un tiempo de espera. Retire los alimentos del horno y revuélvalos, si es posible. Cubra durante el tiempo de espera, lo cual permite que los alimentos se terminen de cocinar sin recocerlos.
- Verifique la cocción. Verifique si hay señales que indiquen que se ha alcanzado la temperatura de cocción.

Las señales de cocción completa incluyen:

- Todo el alimento emana vapor, no sólo en los bordes.
- Temperatura de la base central del plato muy caliente al tacto.
- Fácil movimiento de las articulaciones de los muslos del ave.
- La carne y la carne de ave no presentan un color rosáceo.
- El pescado está opaco y se desmenuza fácilmente con un tenedor.

SOBRE LOS NIÑOS Y EL MICROONDAS

Los niños menores de 7 años deben usar el horno microondas bajo la supervisión cercana de un adulto. En el caso de los niños entre 7 y 12 años, la persona que los supervisa debe estar en la misma habitación.

El niño debe alcanzar el horno de manera cómoda; en caso contrario, debe usar un banco firme.

No debe permitir que nadie se apoye o se cuelgue de la puerta del horno.

Los niños deben conocer todas las precauciones de seguridad: usar agarra ollas, retirar las cubiertas con cuidado, prestar mucha atención a los paquetes de alimentos crujientes, ya que podrían estar muy calientes.

No asuma que un niño/niña puede cocinar de todo sólo porque aprendió una técnica de cocción.

Los niños deben aprender que el horno no es un juguete. Vea la página 25 para consultar la función de Bloqueo del control.

Información que debe conocer

SOBRE SEGURIDAD

- Verifique que la cocción de los alimentos se realice de acuerdo a las temperaturas recomendadas por el Departamento de Agricultura de los EE.UU.

Para verificar la cocción, introduzca un termómetro para carne en un área gruesa o densa lejos de la grasa y el hueso. NUNCA deje el termómetro en los alimentos durante la cocción, a menos que sea aprobado para uso en horno microondas.

TEMP	ALIMENTO
160°F (71°C)	Para platos con cerdo fresco, carne molida, carne blanca de ave deshuesada, pescado, mariscos, huevos y alimentos preparados congelados.
165°F (74°C)	Para sobantes, comida refrigerada lista para recalentar, carnes frías y comida "lista" para llevar.
170°F (77°C)	Carne blanca de ave.
180°F (82°C)	Carne oscura de ave.

- SIEMPRE use un agarra ollas para prevenir quemaduras al manipular utensilios que están en contacto con

los alimentos calientes. El calor de los alimentos puede transferirse a través de los utensilios causando quemaduras en la piel.

- Evite las quemaduras causadas por el vapor dirigiéndolo lejos de su rostro y manos. Levante lentamente el borde más alejado de la cubierta de un plato y abra con cuidado las bolsas de palomitas de maíz y las bolsas especiales para cocinar en horno apartándolas de su rostro.
- Permanezca cerca del horno mientras esté en uso y verifique con frecuencia el progreso de la cocción para que los alimentos no se cocinen demasiado.
- NUNCA use la cavidad para guardar libros de cocina u otros artículos.
- Seleccione, almacene y manipule los alimentos con cuidado para conservar su alta calidad y minimizar la propagación de bacterias.
- Conserve limpia la cubierta de la guía de ondas. Los residuos de alimentos pueden producir arcos eléctricos o incendios.
- Tenga cuidado al retirar los alimentos del horno para que los utensilios, su ropa o accesorios no toquen los pestillos de seguridad de la puerta.

SOBRE LOS UTENSILIOS Y ENVOLTURAS

No es necesario comprar utensilios de cocina nuevos. Usted puede usar la mayoría de los utensilios de su cocina en su nuevo horno microondas. El cuadro siguiente le ayudará a decidir qué utensilios y envolturas debe usar en cada modo.

UTENSILIOS Y ENVOLTURAS	SOLO MICROONDAS	CONVECTION BAKE (HORNEAR POR CONVECCIÓN), ROAST (ASAR), GRILL (A LA PARRILLA)	SPEED ROAST (ASAR CON VELOCIDAD) SPEED BAKE (HORNEAR CON VELOCIDAD)
Papel aluminio	NO	Sí. Para cubrir	NO
Recipientes de aluminio	NO	Sí. Parrilla - Sin cubierta	NO
Plato para dorar	NO	NO	NO
Vidrio cerámico (Pyroceram®)	Sí. Excelente	Sí. Excelente	Sí. Excelente
Vidrio resistente al calor	Sí. Excelente	Sí. Excelente	Sí. Excelente
Vidrio no resistente al calor	NO	NO	NO
Tapas de vidrio	Sí	Sí. Parrilla - Sin cubierta	Sí
Tapas de metal	NO	Sí. Parrilla - Sin cubierta	NO
Utensilios de metal	NO	Sí	NO. Se sugieren utensilios de cocina hechos de silicona.

Información que debe conocer

UTENSILIOS Y ENVOLTURAS	SOLO MICROONDAS	CONVECTION BAKE (HORNEAR POR CONVECCIÓN), ROAST (ASAR), GRILL (A LA PARRILLA)	SPEED ROAST (ASAR CON VELOCIDAD) SPEED BAKE (HORNEAR CON VELOCIDAD)
Metales varios: platos con bordes, filetes, bandas y asas metálicas. Sujetadores/ amarres de metal	NO	NO	NO
Bolsas para cocción en hornos	Sí. Apropriadas para piezas grandes de carne que necesitan ablandarse. NO use sujetadores/amarres de alambre.	Sí. Parrilla - Sin cubierta	Sí. NO use sujetadores/ amarres de alambre.
Platos de papel	Sí. Para recalentar.	NO	NO
Toallas de papel	Sí. Para cubrir para recalentar y cocinar. No use toallas de papel reciclado que pueden contener partículas metálicas.	NO	NO
Papel resistente al calor	Sí	Sí. Para temperaturas hasta 400 °F (204 °C). No lo use para asar a la parrilla.	Sí. Para temperaturas hasta los 400 °F (204 °C).
Recipientes plásticos aptos para microondas	Sí. Use para recalentar y descongelar. Algunos plásticos aptos para microondas no son adecuados para la cocción de alimentos con alto contenido de grasa y azúcar. Siga las instrucciones del fabricante.	NO	NO
Plástico, Thermoset®	Sí	Sí. Resisten hasta 425°F (218 °C). No lo use para asar a la parrilla.	Sí
Película plástica	Sí. Use marcas especialmente indicadas para uso en microondas. NO deje que la película plástica toque los alimentos. Haga agujeros para que el vapor pueda salir.	NO	NO
Cerámica, cerámica de gres y porcelana	Sí. Consulte las recomendaciones del fabricante sobre su seguridad para uso en microondas.	Sí	Sí. Debe ser seguro para microondas Y resistente al calor.
Styrofoam (espuma de poliestireno)	Sí. Para recalentar.	NO	NO
Papel encerado	Sí. Envoltura apropiada para cocinar y recalentar.	NO	NO
Mimbre, madera, paja	Sí. Puede ser usado por cortos períodos de tiempo. No use con alimentos con alto contenido de grasa o azúcar. Se puede carbonizar.	NO	NO

Información que debe conocer

ACCESORIOS

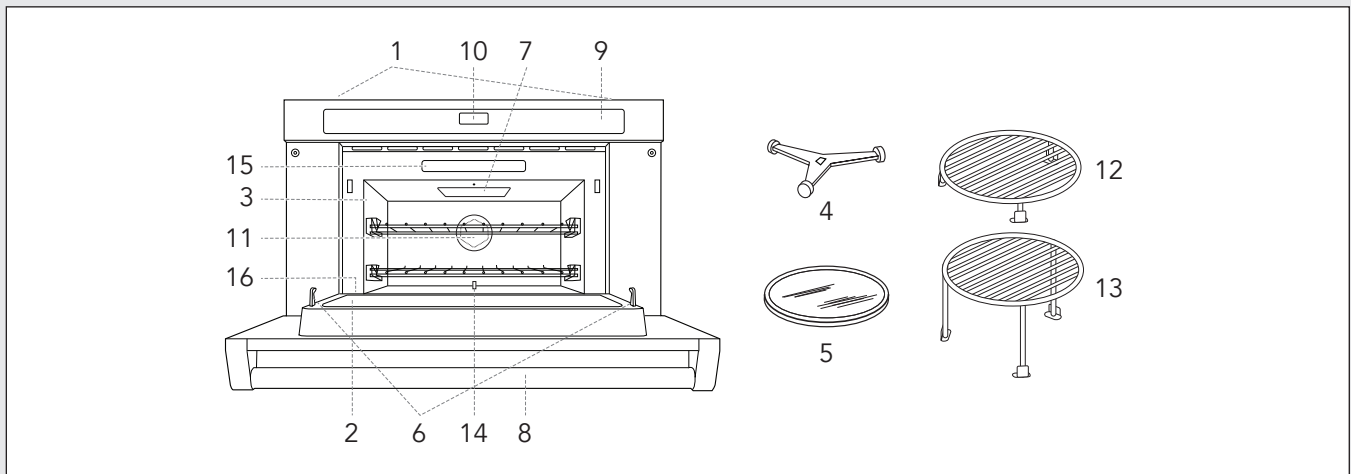
Existen muchos accesorios disponibles para microondas. Revise cuidadosamente antes de comprarlos para que satisfagan sus necesidades. Al elegir accesorios para microondas, asegúrese de que estén marcados como aptos para microondas. Un termómetro resistente a las microondas le ayudará a determinar la cocción correcta y asegurará que sus alimentos se han cocido a temperaturas seguras al usar la cocción sólo con microondas. Viking Range, LLC no es responsable de ningún daño al horno al usar accesorios.

SOBRE LOS ALIMENTOS

ALIMENTO	LO QUE DEBE HACER	¡NO!
Huevos, salchichas, frutos secos, semillas, frutas y vegetales	<ul style="list-style-type: none"> Perfore las yemas del huevo antes de cocinarlo para evitar una "explosión". Haga pequeños agujeros en la piel de las papas, manzanas, calabacitas, hot dogs y salchichas para liberar el vapor. 	<ul style="list-style-type: none"> Cocine los huevos con cascarón. Recaliente los huevos enteros. Deshidratar frutos secos o semillas con cáscara.
Palomitas de maíz	<ul style="list-style-type: none"> Use palomitas de maíz empacadas en una bolsa especial para horno microondas. Escuche mientras las palomitas revientan hasta que la frecuencia de palomitas reventadas se reduzca a 1 o 2 segundos o use el interruptor táctil especial para palomitas de maíz. 	<ul style="list-style-type: none"> Cocine palomitas de maíz en bolsas de papel común o en tazones de vidrio. Exceda el tiempo máximo que indica el paquete de las palomitas de maíz.
Alimentos para bebés	<ul style="list-style-type: none"> Transfiera los alimentos del bebé a un plato pequeño y caliéntelos con cuidado, revolviendo con frecuencia. Verifique la temperatura antes de servir. Coloque los chupones en los biberones después de calentarlos y sacúdalos bien. Verifique la temperatura en su muñeca antes de alimentar al bebé. 	<ul style="list-style-type: none"> Caliente botellas desechables. Caliente los biberones con los chupones puestos. Caliente los alimentos para bebé en sus frascos originales.
General	<ul style="list-style-type: none"> Corte los alimentos horneados con relleno después de calentarlos para liberar el vapor y prevenir las quemaduras. Revuelva bien los líquidos antes, durante y después de calentar para evitar "erupciones". Use un tazón profundo al cocinar líquidos o cereales para evitar que rebosen. 	<ul style="list-style-type: none"> Caliente o cocine en frascos de vidrio cerrados o en recipientes herméticos. El calor puede en el microondas ya que las bacterias dañinas no pueden ser destruidas. Fría en aceite. Seque madera, calabazas, hierbas o papeles húmedos.

Nombre de las partes

PARTES DEL HORNO



- | | |
|--|---|
| 1 Ranuras de ventilación (parte posterior) | 8 Manija |
| 2 Puerta del microondas con ventana transparente | 9 Panel de control táctil |
| 3 Luz del horno
Se enciende cuando se abre la puerta y cuando el horno está funcionando. | 10 Pantalla digital iluminada |
| 4 Soporte del plato giratorio | 11 Aberturas para aire de convección |
| 5 Plato giratorio desmontable
El plato giratorio puede girar en sentido horario o antihorario. | 12 Rejilla baja removible (Rejilla para asar a la parrilla) |
| 6 Pestillos de seguridad de la puerta
El horno no funcionará si la puerta no está bien cerrada. | 13 Rejilla alta removible (Rejilla para hornear) |
| 7 Cubierta de la guía de ondas NO LA RETIRE. | 14 Eje del motor del plato giratorio |
| | 15 Etiqueta de menús |
| | 16 Placa con el número de serie |

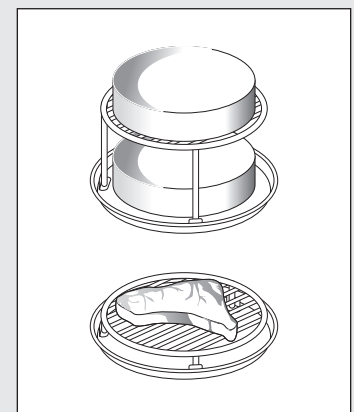
ACCESORIOS

Los siguientes accesorios están diseñados especialmente para uso en este horno solo para cocción por convección (hornear, asar o asar a la parrilla), para cocción con velocidad (hornear o asar). NO LOS USE PARA COCCIÓN EXCLUSIVA CON MICROONDAS. No sustituya con rejillas de tipo similar a estas rejillas diseñadas especialmente.

Rejilla alta para el plato giratorio - Vea la tabla en la página 21 para conocer instrucciones de cuándo usar esta rejilla.

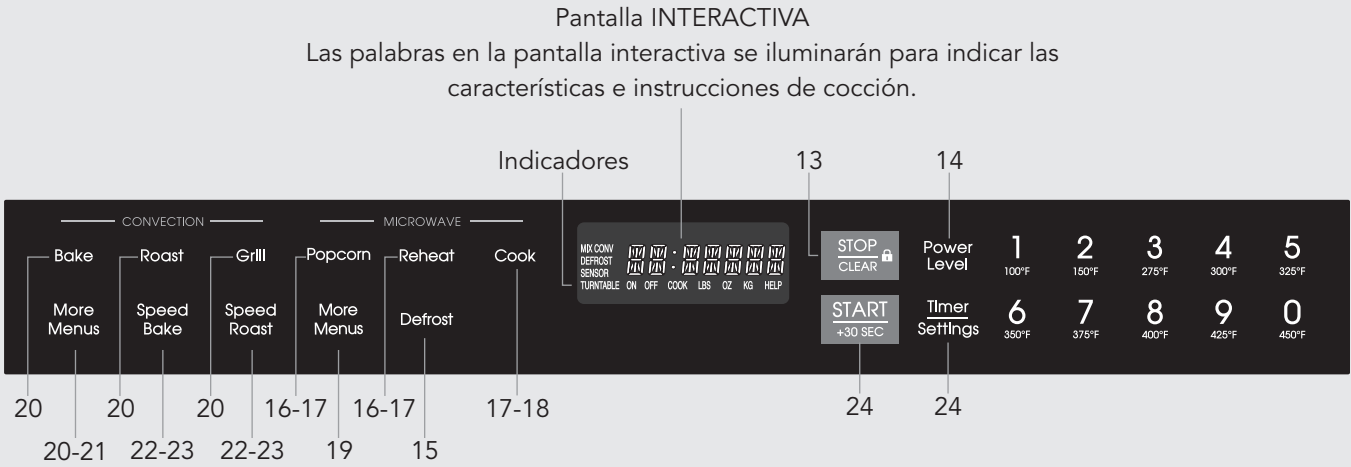
Rejilla baja para el plato giratorio - Vea la tabla en las páginas 20-21 para conocer instrucciones de cuándo usar esta rejilla.

Rejillas del horno (2) - Estas rejillas se usan para hornear o asar, y para cocinar en dos niveles. Ejemplos: galletas o pizza.



Nombre de las partes

PANEL DE CONTROL



El número cerca de la ilustración del panel de control indica las páginas donde puede encontrar descripciones de las características e información de uso.

ETIQUETA DE MENÚ

COOK		DEFROST	MICROWAVE MORE MENUS		CONVECTION MORE MENUS			
					BAKE	ROAST	GRILL	
1 Baked Potatoes	6 Quick Fresh Vegetables	1 Ground Meat	Melt	1 Butter	7 Beverage Reheat	1 Biscuit	7 Whole Chicken	10 Beef Hamburgers
2 Sweet Potatoes	7 Long Fresh Vegetables	2 Steaks/Chops		2 Chocolate	8 Hot Water	2 Cookies Packaged	8 Pork Tenderloin	11 Turkey Burgers
3 Fish/Seafood	8 Frozen Vegetables	3 Boneless Poultry	Soften	3 Ice Cream	9 Hot Cereal	3 Bundt Cake	9 Turkey Breast	12 Drumsticks
4 Brown Rice	9 Ground Meat	4 Bone-in Poultry		4 Cream Cheese		4 Pizza - Thin/Classic/Rising		13 Chicken Breast Boneless
5 White Rice	10 Frozen Entrée	5 Roast	Warm	5 Syrup		5 Breaded Shrimp		14 Fish Fillet
		6 Casserole and Soup		6 Dessert Topping		6 Breaded Chicken Tenders		15 Veggie Burger

Antes de operar

- Antes de operar su nuevo horno, asegúrese de haber leído y entendido completamente esta Guía de uso y cuidado.
- Antes de usar el horno, siga estos procedimientos:
 1. Conecte el horno. Cierre la puerta. La pantalla del horno mostrará WELCOME TOUCH CLEAR (Bienvenido, toque CLEAR)
 2. Presione el interruptor táctil STOP/CLEAR. Aparecerá :
 3. Configure el reloj.

PARA CONFIGURAR EL RELOJ

1. Toque dos veces el interruptor táctil TIMER/SETTINGS.
2. Ingrese la hora correcta del día tocando los números en secuencia. Toque el interruptor táctil START/+30 SEC.

Este es un reloj de 12 horas. Si intenta ingresar una hora incorrecta en el reloj, la pantalla mostrará el mensaje ERROR. Toque el interruptor táctil STOP/CLEAR e ingrese nuevamente la hora.

- Si se interrumpe el suministro de energía eléctrica a su horno, la pantalla mostrará en forma intermitente WELCOME TOUCH CLEAR (Bienvenido, toque CLEAR) después de que se restablezca la energía. Si esto ocurre durante la cocción, se borrará el programa. También se borrará la hora del día. Sólo toque el interruptor táctil STOP/CLEAR y restablezca el reloj a la hora correcta del día.

STOP/CLEAR (PARAR/BORRAR)

Toque el interruptor táctil STOP/CLEAR para:

1. Borrar si comete un error durante la programación.
2. Cancelar el temporizador.
3. Detener el horno temporalmente durante la cocción.
4. Reingresar la hora del día en la pantalla.
5. Cancelar un programa durante la cocción, presionando dos veces.

Operación manual

COCCIÓN POR TIEMPO

Su horno se puede programar para 99 minutos 99 segundos (99.99). Siempre ingrese los segundos después de los minutos, aun si ambos son ceros.

- Suponga que desea cocinar por 5 minutos al 100%.
1. Ingrese el tiempo de cocción tocando los números táctiles **5|0|0**.
 2. Toque el interruptor táctil START/+30 SEC.

PARA FIJAR EL NIVEL DE POTENCIA

Existen once niveles de potencia predeterminados.

Usar los niveles de potencia más bajos aumenta el tiempo de cocción, lo que es recomendable para alimentos como queso, leche y la cocción lenta y prolongada de carnes. Consulte el libro de recetas o las recetas para recomendaciones específicas.

TOQUE EL INTERRUPTOR TÁCTIL DE NIVEL DE POTENCIA UNA VEZ, LUEGO TOQUE	PORCENTAJE APROXIMADO DE POTENCIA	PALABRAS COMUNES PARA LOS NIVELES DE POTENCIA
POWER LEVEL	100%	Alto
9	90%	
8	80%	
7	70%	Medio-alto
6	60%	
5	50%	Medio
4	40%	
3	30%	Medio bajo/ descongelar
2	20%	
1	10%	Bajo
0	0%	

- Suponga que desea descongelar durante 5 minutos al 30%.
1. Ingrese el tiempo de descongelamiento presionando los interruptores táctiles **5|0|0**.
 2. Toque el interruptor táctil POWER LEVEL y el número **3**.
 3. Toque el interruptor táctil START/+30 SEC.

Usted puede programar hasta 4 secuencias de cocción automática. Siga las instrucciones de la página 24. No olvide que debe ingresar primero el Nivel de potencia al programar secuencias múltiples.

DESCONGELAMIENTO MANUAL

Si el alimento que quiere descongelar no aparece en la TABLA DE DEFROST o si está por encima o debajo de los límites en la columna de CANTIDAD, deberá descongelar manualmente.

Usted puede descongelar cualquier alimento congelado, ya sea crudo o cocido previamente, usando el POWER LEVEL 3. Siga exactamente el procedimiento de 3 pasos que se encuentra en la sección PARA ESTABLECER EL NIVEL DE POTENCIA. Calcule el tiempo de descongelamiento y toque 3 para 30% cuando seleccione el nivel de potencia.

Para alimentos congelados ya sea crudos o previamente cocidos, la regla general indica aproximadamente 5 minutos por libra (453 g). Por ejemplo, descongele durante 5 minutos 1 libra de salsa para espaguetis congelada.

Siempre detenga el horno periódicamente para retirar o separar las porciones que estén descongeladas. Si al final del tiempo estimado de descongelamiento los alimentos no están descongelados, programe el horno en incrementos de 1 minuto, en POWER LEVEL 3 hasta que se descongelen totalmente.

Cuando use recipientes de plástico del congelador, descongele sólo lo suficiente para retirar el alimento del plástico y colocar el alimento en un plato apto para microondas.

Características del microondas

DEFROST (DESCONGELAR)

DEFROST descongela automáticamente los alimentos mostrados en la TABLA DE DEFROST.

- Sponga que quiere descongelar un bistec de 2.0 libras.
1. Toque el interruptor táctil DEFROST una vez.
 2. Seleccione el alimento deseado tocando en el panel táctil, el número correspondiente que aparece en la etiqueta de menús. Ej. Toque **1** para Ground Meat (Carne molida)
 3. Ingrese el peso tocando los interruptores táctiles **2****0**.
 4. Toque el interruptor táctil START/+30 SEC.

El horno se detendrá y las instrucciones aparecerán en la pantalla. Siga el mensaje indicado.

5. Después de la 1a etapa, abra la puerta. Dele la vuelta al bistec. Cierre la puerta. Toque el interruptor táctil START/+30 SEC.
6. Después de la 2a etapa, abra la puerta. Dele la vuelta al bistec. Cierre la puerta. Toque el interruptor táctil START/+30 SEC.
7. Al terminar el ciclo de descongelamiento, cubra y deje reposar como se indica en la tabla a continuación.

Nota:

- Si intenta ingresar una cantidad mayor o menor que la permitida según lo indicado en la tabla, un mensaje de error aparecerá en la pantalla.
- Para descongelar otros alimentos o una cantidad de alimentos por encima o debajo de los pesos permitidos en la TABLA DE DEFROST, vea DESCONGELAMIENTO MANUAL en la página 14.

TABLA DE DEFROST

ALIMENTO	CANTIDAD	PROCEDIMIENTO
1. Ground Meat (Carne molida)	0.5-2.0 lb (0.22-0.9 kg)	Retire las piezas descongeladas después de cada etapa. Deje reposar cubierto de 5 a 10 minutos.
2. Steaks/Chops (Bistec/chuletas)	0.5-3.0 lb (0.22-1.36 kg)	Después de cada etapa del ciclo de descongelamiento, vuelva a acomodar, y retire cualquier carne o pescado que esté casi descongelado. Deje reposar cubierto de 10 a 20 minutos.
3. Boneless Poultry (Carne de ave deshuesada)	0.5-2.0 lb (0.22-0.9 kg)	Use pechuga de pollo o de pavo deshuesada. Después de cada etapa, si hay porciones tibias o descongeladas, reacomode o retire. Cubra y deje reposar de 10 a 20 minutos.
4. Bone-in Poultry (Carne de ave con hueso)	0.5-3.0 lb (0.22-1.36 kg)	Acomode las piezas con las partes más gruesas hacia la parte externa del plato de vidrio o de la rejilla apta para microondas. Después de cada etapa, si hay porciones tibias o descongeladas, reacomode o retire. Cubra y deje reposar de 10 a 20 minutos.
5. Roast (Asado)	2.0-4.0 lb (0.9-1.8 kg)	Inicie el descongelamiento colocando el lado con grasa hacia abajo. Después de cada etapa, dele vuelta al asado. Cubra y deje reposar de 30 a 60 minutos
6. Casserole and Soup (Guisados o sopa)	1-6 tazas	Después de escuchar la señal audible, revuelva si es posible Al final, revuelva bien y deje reposar cubierto de 5 a 10 minutos.

Nota:

Revise los alimentos a la señal del horno. Después de la etapa final, todavía pueden quedar partes pequeñas con hielo. Deje reposar para continuar el descongelamiento. No descongele hasta que se derritan todos los cristales de hielo.

Características del microondas

COCCIÓN POR SENSOR

El sensor es un dispositivo de semiconductor que detecta el vapor (humedad) emitido por los alimentos al calentarse. El sensor ajusta los tiempos de cocción y los niveles de potencia para diversos alimentos y cantidades.

USO DE LOS AJUSTES DEL SENSOR:

1. Después de conectar el horno, espere 2 minutos antes de usar los ajustes del sensor.
2. Asegúrese de que el exterior del recipiente de cocción y el interior del horno estén secos. Remueva cualquier rastro de humedad con un paño seco o toalla de papel.
3. REHEAT y POPCORN solo se pueden ingresar dentro de 1 minuto posterior a la cocción, abriendo y cerrando la puerta o presionando el interruptor táctil STOP/CLEAR.
4. Durante la primera parte de la cocción por sensor, en la pantalla aparecerá el nombre de los alimentos. No abra la puerta del horno microondas ni toque STOP/CLEAR durante esta parte del ciclo. La medición del vapor será interrumpida. Si esto sucede, en la pantalla aparecerá un mensaje de error. Para continuar cocinando, toque el interruptor táctil STOP/CLEAR y elija el tiempo de cocción y potencia variable.

Cuando el sensor detecte el vapor emitido por los alimentos, aparecerá en pantalla el tiempo de cocción restante. Puede abrir la puerta cuando aparezca en la pantalla el tiempo restante de cocción. En este momento, puede revolver o sazonar los alimentos, como desee.

5. Revise la temperatura de los alimentos después de la cocción. Si es necesario un tiempo adicional, continúe la cocción con un tiempo y potencia variables.
6. Si el sensor no detecta el vapor apropiadamente al cocinar palomitas de maíz, el horno se apagará y aparecerá en la pantalla la hora correcta del día. Si el sensor no detecta el vapor apropiadamente al utilizar recalentar por sensor, el mensaje ERROR aparecerá en la pantalla y el horno se apagará.
7. Cada alimento tiene una sugerencia de cocción. Toque TIMER/SETTINGS cuando se encienda el indicador HELP en la pantalla.

SELECCIÓN DE LOS ALIMENTOS:

1. El sensor funciona con alimentos a una temperatura de almacenamiento normal. Por ejemplo, los alimentos de una cena para recalentar estarán a la temperatura del refrigerador y las palomitas de maíz a temperatura ambiente.
2. Los alimentos que pesen menos de 3 onzas (85 g) deberán recalentarse con tiempo y potencia variables.

CUBIERTA DE LOS ALIMENTOS:

La cocción de ciertos alimentos es mejor cuando están cubiertos. Use la cubierta recomendada en la tabla para estos alimentos.

1. Tapa de la cacerola.
2. Película plástica: Use película plástica recomendada para cocción en microondas. Envuelva los platos de forma suelta; deje un espacio de casi 1/2 pulgada sin cubrir para permitir la salida de vapor. La película plástica no debe tocar los alimentos.
3. Papel encerado: Cubra el plato completamente; doble el exceso de la envoltura debajo del plato para sujetarlo. Si el plato es más ancho que el papel, traslape dos pedazos de papel por lo menos una pulgada para cubrir.

Tenga cuidado al retirar cualquier envoltura para permitir la salida de vapor lejos de usted.

REHEAT (RECALENTAR)

Puede recalentar muchos alimentos con sólo tocar un interruptor táctil. No es necesario calcular el tiempo de cocción o nivel de potencia.

- Suponga que quiere calentar un platillo preparado de 'chili' (chile con carne).

Presione el botón REHEAT.

Cuando el sensor detecta el vapor emitido por los alimentos, aparecerá en la pantalla el tiempo de recalentamiento restante.

POPCORN (PALOMITAS DE MAÍZ)

- Suponga que quiere preparar una bolsa de palomitas de maíz de 3.5 oz (99 g):

Toque una vez el interruptor táctil POPCORN, luego toque START/+30 SEC.

Esta función del sensor funciona bien con la mayoría de las marcas de palomitas de maíz para microondas. Sólo prepare un paquete a la vez. Desdoble el paquete y colóquelo en el horno de acuerdo con las instrucciones.

Características del microondas

TABLA DEL SENSOR

ALIMENTO	CANTIDAD	PROCEDIMIENTO
Popcorn (Palomitas de maíz)	Sólo 1 paquete a la vez	Use únicamente palomitas de maíz para cocción en horno microondas. Pruebe con varias marcas para elegir la que prefiera. No intente cocinar los granos que no reventaron completamente.
	Bolsa de 2.85-3.5 oz (80-99 g) (Tamaño normal)	Toque una vez el interruptor táctil POPCORN, luego toque START/+30 SEC. Esta función es útil con la mayoría de las bolsas de palomitas de maíz para microondas de 3.0-3.5 oz (85-99 g).
	Bolsa de 1.2-1.75 oz (34-50 g) (Tamaño de bocadillo)	Toque dos veces el interruptor táctil POPCORN, luego toque START/+30 SEC.
Reheat (Recalentar) Sobrantes como arroz, papas, vegetales, guisados.	0.25-2.25 lb (0.11-1.0 kg)	Coloque en un plato o cacerola ligeramente más grande que la cantidad que va a recalentar. Aplane, si es posible. Recubra con una tapa, película plástica o papel encerado. Use envolturas como películas plásticas o tapas para grandes cantidades de alimentos con mayor densidad como estofados. Después de recalentar, revuelva bien, si es posible. Los alimentos deben estar muy calientes. Si no es así, continúe el recalentamiento con una potencia y tiempo variables. Después de revolver, recubra y deje que permanezca de 2 a 3 minutos.
Sopas	1-4 tazas	Después de recalentar, revuelva bien, si es posible. Los alimentos deben estar muy calientes. Si no es así, continúe el recalentamiento con una potencia y tiempo variables. Después de revolver, recubra y deje que permanezca de 2 a 3 minutos.
Entradas y verduras enlatadas	4-36 oz (118-946 mL)	Después de recalentar, revuelva bien, si es posible. Los alimentos deben estar muy calientes. Si no es así, continúe el recalentamiento con una potencia y tiempo variables. Después de revolver, recubra y deje que permanezca de 2 a 3 minutos.

COOK

- Suponga que desea cocinar una papa al horno:
1. Toque el interruptor táctil COOK.

2. Seleccione el ajuste deseado del sensor. Ej.: Toque el interruptor táctil 1 para cocinar papas al horno.
3. Toque el interruptor táctil START/+30 SEC. Cuando el sensor detecte el vapor emitido por los alimentos, aparecerá en pantalla el tiempo de cocción restante.

TABLA DE COOK

ALIMENTO	CANTIDAD	PROCEDIMIENTO
1. Baked Potatoe (Papas al horno)	1-6 medianas	Haga pequeños agujeros. Colóquelo sobre el plato giratorio forrado con toalla de papel. Después de la cocción, retire del microondas, envuelva en papel aluminio y deje reposar de 5 a 10 minutos.
2. Sweet Potatoe (Camotes)	1-6 medianas	
3. Fish/Seafood (Pescado/mariscos)	0.25-2.0 lb (0.11-0.90 kg)	Colóquelo en forma de anillo en un plato de cristal poco profundo (enrolle el filete con los bordes hacia abajo). Cubra con una película plástica con agujeros de ventilación. Después de la cocción, déjelo reposar cubierto durante 3 minutos.

Características del microondas

TABLA DE COOK

ALIMENTO	CANTIDAD	PROCEDIMIENTO																					
4. Brown rice (Arroz integral)	0.5-4.0 tazas	<p>Coloque el arroz en una cacerola honda y agregue el doble de cantidad de agua. Cubra con una tapa o película plástica. Después de la cocción, revuelva, cubra y deje reposar de 3 a 5 minutos o hasta que absorba todo el líquido.</p> <table border="1"> <thead> <tr> <th>Arroz</th> <th>Agua</th> <th>Tamaño de la cacerola</th> </tr> </thead> <tbody> <tr> <td>0.5 taza (118 mL)</td> <td>1 taza (236 mL)</td> <td>1.5 cuartos de galón (1.41 L)</td> </tr> <tr> <td>1 taza (236 mL)</td> <td>2 tazas (473 mL)</td> <td>2 cuartos (1.89 L)</td> </tr> <tr> <td>1.5 tazas (354 mL)</td> <td>3 tazas (709 mL)</td> <td>2.5 o 3 cuartos</td> </tr> <tr> <td>2 tazas (473 mL)</td> <td>4 tazas (709 mL)</td> <td>3 cuartos o más</td> </tr> <tr> <td>3 tazas (709 mL)</td> <td>6 tazas (1.41 L)</td> <td>3 cuartos o más</td> </tr> <tr> <td>4 tazas (709 mL)</td> <td>8 tazas (1.89 L)</td> <td>3 cuartos o más</td> </tr> </tbody> </table>	Arroz	Agua	Tamaño de la cacerola	0.5 taza (118 mL)	1 taza (236 mL)	1.5 cuartos de galón (1.41 L)	1 taza (236 mL)	2 tazas (473 mL)	2 cuartos (1.89 L)	1.5 tazas (354 mL)	3 tazas (709 mL)	2.5 o 3 cuartos	2 tazas (473 mL)	4 tazas (709 mL)	3 cuartos o más	3 tazas (709 mL)	6 tazas (1.41 L)	3 cuartos o más	4 tazas (709 mL)	8 tazas (1.89 L)	3 cuartos o más
Arroz	Agua		Tamaño de la cacerola																				
0.5 taza (118 mL)	1 taza (236 mL)		1.5 cuartos de galón (1.41 L)																				
1 taza (236 mL)	2 tazas (473 mL)		2 cuartos (1.89 L)																				
1.5 tazas (354 mL)	3 tazas (709 mL)		2.5 o 3 cuartos																				
2 tazas (473 mL)	4 tazas (709 mL)		3 cuartos o más																				
3 tazas (709 mL)	6 tazas (1.41 L)		3 cuartos o más																				
4 tazas (709 mL)	8 tazas (1.89 L)		3 cuartos o más																				
5. White rice (Arroz blanco)	0.5-4.0 tazas																						
6. Quick Fresh Vegetables (Verduras frescas rápidas)		<p>Lave y coloque en una cacerola. No agregue agua si acaba de lavar las verduras. Cubra con la tapa para verduras tiernas. Use película plástica para verduras tiernas y crujientes. Si es posible, revuelva antes de dejar reposar. Después de la cocción, déjelo reposar cubierto de 2 a 5 minutos.</p>																					
Brócoli	0.25-3.0 lb (0.11-1.36 kg)																						
Coles de Bruselas	0.25-3.0 lb (0.11-1.36 kg)																						
Repollo	0.25-3.0 lb (0.11-1.36 kg)																						
Coliflor (flores pequeñas)	0.25-3.0 lb (0.11-1.36 kg)																						
Coliflor (entera)	1 mediana																						
Espinaca	0.25-1.0 lb (0.11-0.45 kg)																						
Calabacita	0.25-3.0 lb (0.11-1.36 kg)																						
Manzanas al horno	2-4 medianas																						
7. Long Fresh vegetables (Verduras largas frescas)		<p>Coloque en una cacerola. Agregue 1-4 cucharadas de agua. Cubra con la tapa para verduras tiernas. Use película plástica para verduras tiernas crujientes. Si es posible, revuelva antes de dejar reposar. Después de la cocción, déjelo reposar cubierto de 2 a 5 minutos.</p>																					
Zanahorias en tajadas	0.25-2.0 lb (0.11-0.9 kg)																						
Elote en mazorca	2-4 piezas																						
Ejotes	0.25-2.0 lb (0.11-0.9 kg)																						
Calabaza:																							
en cubitos	0.25-2.0 lb (0.11-0.9 kg)																						
en mitades	1-2																						
8. Verduras congeladas	0.25-2.0 lb (0.11-0.9 kg)	<p>Cubra con una tapa o película plástica. Después de la cocción, mezcle y deje reposar 3 minutos, cubierto.</p>																					
9. Carne molida	0.25-2.0 lb (0.11-0.9 kg)	<p>Use este ajuste para cocinar carne de res o de pavo picada como hamburguesas o en un guisado para ser agregado a otros ingredientes. Coloque las hamburguesas en una rejilla para microondas y recubra con papel encerado. Coloque la carne molida en una cacerola y cúbrala con papel encerado o una película plástica. Cuando el microondas se detenga, voltee las hamburguesas o revuelva la carne en la cacerola para dividir las piezas grandes. Cubra nuevamente y toque START/+30 SEC. Luego de la cocción, deje reposar cubierto de 2 a 3 minutos.</p>																					
10. Frozen Entrées	0.5-3.0 lb (0.22-1.36 kg)	<p>Use para alimentos precocinados congelados. Obtendrá resultados satisfactorios para la mayoría de las marcas. Retire la envoltura externa del paquete y siga las instrucciones del mismo para cubrirlo. Después de la cocción, déjelos cubiertos de 1 a 3 minutos.</p>																					

Características del microondas

MORE MENUS (MÁS MENÚS)

MELT/SOFTEN/WARM (FUNDIR/ABLANDAR/ENTIBIAR)

Estas características calculan automáticamente el tiempo de calentamiento y el nivel de potencia de microondas correcto para fundir, ablandar y entibiar los alimentos mostrados en la tabla a continuación.

1. Toque el interruptor táctil MORE MENUS una vez.
2. Vea la Etiqueta de menús. Seleccione el alimento deseado presionando el botón de número. Ej. Toque **2** para chocolate.

3. Toque nuevamente el mismo número de interruptor táctil para seleccionar la cantidad. Ej. Toque el número **2** dos veces más para 1 cuadro.
4. Toque el interruptor táctil START/+30 SEC.

Nota:

- Para fundir, suavizar o entibiar otros alimentos mayores o menores de la cantidad permitida en la TABLA MELT/SOFTEN/WARM CHART, utilice el manual de operación.

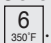
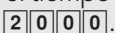
TABLA MELT/SOFTEN/WARM

ALIMENTO	CANTIDAD	PROCEDIMIENTO
Melt (Fundir)		Use una taza medidora de Pyrex. Cubra con una película plástica.
1. Butter (Mantequilla)	2 cucharadas 0.5 taza (118 mL)	Después de tocar MORE MENUS toque 1 dos veces para 2 cucharadas. Después de tocar MORE MENUS toque 1 tres veces para 0.5 taza.
2. Chocolate	1 taza (236 mL) de hojuelas 1 cuadro	Después de tocar MORE MENUS toque 2 dos veces para 1 taza de hojuelas. Después de tocar MORE MENUS toque 2 tres veces para 1 cuadro.
Soften (Ablandar)		NO CUBRIR.
3. Ice Cream (Helado)	1 pinta (473 mL) 1.5 qt (1.4 L)	Después de tocar MORE MENUS toque 3 dos veces para 1 pinta (473 mL). Después de tocar MORE MENUS toque 3 tres veces para 1.5 qt (1.4 L).
4. Cream Cheese (Queso crema)	3 oz (88 mL) 8 onzas (236 mL)	Después de tocar MORE MENUS toque 4 dos veces para 3 oz (88 mL). Después de tocar MORE MENUS toque 4 tres veces para 8 oz (236 mL).
Warm (Entibiar)		Use una taza medidora de Pyrex. NO CUBRIR.
5. Jarabe	0.25 taza (59 mL) 0.5 taza (118 mL)	Después de tocar MORE MENUS toque 5 dos veces para 0.25 taza (59 mL). Después de tocar MORE MENUS toque 5 tres veces para 0.5 taza (118 mL).
6. Aderezos para postres	0.25 taza (59 mL) 0.5 taza (118 mL)	Después de tocar MORE MENUS toque 6 dos veces para 0.25 taza (59 mL). Después de tocar MORE MENUS toque 6 tres veces para 0.5 taza (118 mL).
7. Recalentar bebidas	0.5-2 tazas (118-473 mL)	Este ajuste es bueno para calentar una bebida fría a una mejor temperatura para beber. Toque el interruptor táctil 7 para un aumento de 0.5 taza por cada toque. Revuelva después de calentar.
8. Agua caliente	1-6 tazas (0.2-1.4 L)	Use este ajuste para calentar AGUA DE GRIFO FRÍA a una temperatura un tanto debajo del punto de ebullición para hacer café o té instantáneo. Toque 8 para aumentar 1 taza por cada toque. Revuelva bien los líquidos antes y después de calentar para evitar que hiervan repentinamente.
9. Cereal caliente	1-6 porciones	Utilice paquetes individuales o cereal a granel de su variedad favorita: avena, salvado de avena, harina, etc. Siga las indicaciones del paquete para la cantidad correcta de agua o leche. Para evitar derrames, es muy importante elegir un recipiente grande porque la cocción de cereal con microondas causa una fuerte ebullición. Toque 9 para aumentar 1 porción por cada toque. Si el horno se para, revuelva y presione START/+30 SEC. Después de la cocción, revuelva y deje reposar, cubierto, por 2 minutos.

Características de la convección


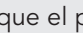
BAKE (HORNEAR)

Durante la cocción por convección, circula aire caliente en el interior de la cavidad del horno para dorar y dejar crujientes los alimentos de manera rápida y pareja. Este horno microondas se puede programar para diez diferentes temperaturas de cocción por convección por hasta 99 minutos y 99 segundos.

- Suponga que quiere cocinar a 350 °F (176 °C) por 20 minutos.
1. Toque el interruptor táctil BAKE.
 2. Seleccione la temperatura tocando el interruptor táctil .
 3. Ingrese el tiempo de cocción tocando los interruptores táctiles .
 4. Toque el interruptor táctil START/+30 SEC.

ROAST (ASAR)


CONVECTION ROAST (Asar por convección) rostiza pollo, pavo, pechuga de pavo o cerdo.

- Suponga que quiere asar un pollo de 2.5 libras (1.13 Kg).
1. Toque el interruptor táctil ROAST.
 2. Seleccione el ajuste deseado. Ej: para pollo, toque el interruptor táctil .
 3. Toque el panel táctil para ingresar el peso. Ej:  lb (11.3 Kg)
 4. Toque el interruptor táctil START/+30 SEC.

Al terminar el ciclo CONVECTION ROAST escuchará una señal larga. Siga el mensaje indicado.

GRILL (A LA PARRILLA)

CONVECTION GRILL (Asar a la parrilla por convección) asa hamburguesas, piezas de pollo, bistecs y filetes de pescado.

- Suponga que quiere asar a la parrilla 2 hamburguesas:
1. Toque el interruptor táctil GRILL.
 2. Seleccione el ajuste deseado. Ej: Para hamburguesas, toque el interruptor táctil del número .
 3. Toque el interruptor táctil START/+30 SEC.
Al terminar el ciclo de precalentar la parrilla, el horno parará y se mostrarán instrucciones. Siga el mensaje indicado. Abra la puerta y coloque las hamburguesas dentro del horno. Cierre la puerta.
 4. Toque el interruptor táctil START/+30 SEC.

MORE MENUS (MÁS MENÚS)

Esta sección del manual operación ofrece instrucciones para la preparación de 15 alimentos populares usando las funciones CONVECTION BAKE, ROAST y GRILL.

Después de seleccionar la función deseada, siga las instrucciones indicadas en la pantalla.

Obtenga valiosos consejos tocando TIMER/SETTINGS en cualquier momento que se ilumine el mensaje HELP en la pantalla.

Precaución: El gabinete del horno, la cavidad, la puerta, el plato giratorio, el soporte del plato giratorio, las rejillas y platos pueden estar muy calientes. Para EVITAR QUEMADURAS, use guantes gruesos para horno al retirar los alimentos o el plato giratorio del horno microondas.

TABLA MORE MENUS

ALIMENTO	CANTIDAD	REJILLA	PROCEDIMIENTO
1. Biscuit (Bísquet)	6-12	1 o 2 rejillas del horno	Coloque las rejillas para horno dentro del horno y precaliente. Acomode los bísquets uniformemente en una bandeja para horno y coloque en la rejilla del horno en posición inferior cuando el precalentamiento esté terminado. Si usa más de una bandeja para horno, coloque la segunda bandeja en la parrilla sobre la rejilla del horno en la posición superior. Los bísquets están cocidos cuando las partes superiores adquieren un color café dorado.
2. Cookies Packaged (Galletas empacadas)	10-12	1 o 2 rejillas del horno	Ideal para masa para galletas refrigerada. Prepare de acuerdo con las instrucciones del paquete o receta y coloque en una rejilla para plato giratorio engrasada y enharinada. Las galletas deben tener aproximadamente 1/3 pulg (8 mm) de espesor y 2 pulg (50 mm) de diámetro para los mejores resultados. Después del tiempo de precalentamiento, coloque la bandeja en el horno. Enfríe antes de servir.

Características de la convección

TABLA MORE MENUS

ALIMENTO	CANTIDAD	REJILLA	PROCEDIMIENTO
3. Bundt Cake (Pastel bundt)	1 pastel	Rejilla baja del plato giratorio	Ideal para harina preparada para pasteles empacada o su propia receta. Coloque la rejilla baja del plato giratorio en el horno durante el calentamiento. Prepare de acuerdo con las instrucciones del paquete o receta y coloque en una bandeja engrasada y enharinada. Coloque la bandeja en el horno sobre la rejilla inferior del plato giratorio. Enfríe antes de aplicar el glaseado y sirva.
4. Pizza Thin/Classic/Rising (Delgada/Clásica/De harina leudante)	1 pizza congelada	Rejilla baja del plato giratorio	Coloque la rejilla baja del plato giratorio en el horno durante el calentamiento. Al terminar el precalentamiento, coloque 1 pizza de 10" (25 cm) congelada directamente en el centro de la rejilla baja del plato giratorio. La pizza está cocida cuando la corteza tiene color café dorado y el queso está fundido. Deje reposar 5 minutos antes de servir.
5. Breaded Shrimp (Camarones empanizados)	1-16 piezas	Rejilla del horno, posición inferior	Acomode uniformemente camarones congelados en una lámina para hornear Coloque en la rejilla del horno en posición inferior después de precalentar. Los camarones están cocidos cuando adquieren un color café dorado. Deje reposar 2-3 minutos antes de servir.
6. Breaded Chicken Tenders (Tiras de pollo empanizadas)	2-6 piezas	Rejilla del horno, posición inferior	Acomode uniformemente tiras de pollo empanizadas en una lámina para hornear Coloque en la rejilla del horno en posición inferior después de precalentar. Las tiras de pollo están cocidas cuando adquieren un color café dorado. Deje reposar 3-5 minutos antes de servir.
7. Whole Chicken (Pollo entero)	2.5-7.5 lb (1.2-3.4 kg)	Rejilla del horno, posición inferior	Coloque la rejilla baja del plato giratorio en el horno durante el calentamiento. Condimente el pollo a su gusto y coloque la bandeja sobre la rejilla baja del plato giratorio después de precalentar. Después de la cocción, retire del horno, cubra con papel aluminio y deje reposar de 5 a 10 minutos.
8. Pork Tenderloin (Lomo de cerdo)	1.0-3.0 lb (0.5-1.4 kg)	Rejilla del horno, posición inferior	Se recomienda lomo de cerdo sin hueso porque se cuece en forma pareja. Coloque en una rejilla inferior. Después de la cocción, retire del horno, cubra con papel aluminio y deje reposar de 5 a 10 minutos. La temperatura interna debe ser de 160 °F (71 °C).
9. Turkey Breast (Pechuga de pavo)	1.5-6.0 lb (0.7-2.7 kg)	Rejilla del horno, posición inferior	Condimente a su gusto. Coloque en la rejilla inferior. Al terminar el ciclo, cubra con papel aluminio y deje reposar 10 minutos. La temperatura interna de la carne blanca debe ser de 170 °F (76 °C).
10. Beef Hamburgers (Hamburguesas de res)	2-4 hamburguesas 6 oz (170 g) cada una	Rejilla alta del plato giratorio	Condimente a su gusto, y separe ordenadamente las hamburguesas hacia el centro de la rejilla alta del plato giratorio; no es necesario precalentar. Siga las indicaciones del horno para voltear las hamburguesas; para hacer esto, retire cuidadosamente el plato giratorio y la rejilla al mismo tiempo, voltee las hamburguesas y deslice nuevamente el plato giratorio y la rejilla en el interior del horno. Toque START/+30SEC para continuar.
11. Turkey Burgers (Hamburguesas de pavo)	2-4 hamburguesas 6 oz (170 g) cada una	Rejilla alta del plato giratorio	Condimente a su gusto, y separe ordenadamente las hamburguesas hacia el centro de la rejilla alta del plato giratorio; no es necesario precalentar. Siga las indicaciones del horno para voltear las hamburguesas; para hacer esto, retire cuidadosamente el plato giratorio y la rejilla al mismo tiempo, voltee las hamburguesas y deslice nuevamente el plato giratorio y la rejilla en el interior del horno. Toque START/+30SEC para continuar.

Características de la convección

TABLA MORE MENUS

ALIMENTO	CANTIDAD	REJILLA	PROCEDIMIENTO
12. Drummies (Muslos de pollo)	1.0-2.5 lb (0.5-1.2 kg)	Rejilla alta del plato giratorio	Condimente los muslos de pollo a su gusto y colóquelos directamente en la rejilla alta del plato giratorio con las porciones gruesas hacia el centro de la rejilla.
13. Chicken Breast Boneless (Pechugas de pollo deshuesadas)	1.0-2.5 lb (0.5-1.2 kg)	Rejilla alta del plato giratorio	Condimente las piezas de pollo a su gusto y colóquelas directamente en la rejilla alta del plato giratorio, separadas uniformemente. Voltee a los 27 minutos (siga las instrucciones en la pantalla del horno).
14. Fish Fillet (Filetes de pescado)	2-4 piezas 6 oz (170 g) cada una	Rejilla alta del plato giratorio	Condimente los bistecs a su gusto y colóquelos directamente en la rejilla alta del plato giratorio, separados uniformemente. Voltee a los 7 minutos (siga las instrucciones en la pantalla del horno).
15. Veggie Burger (Hamburguesa vegetariana)	2-4 hamburguesas 3 oz (85 g) cada una	Rejilla alta del plato giratorio	Coloque las hamburguesas directamente en la rejilla alta del plato giratorio, separadas uniformemente. Voltee a los 7 minutos (siga las instrucciones en la pantalla del horno).

ADVERTENCIA: NO UTILICE PAPEL DE ALUMINIO PARA CUBRIR O PROTEGER LOS ALIMENTOS AL USAR 'SPEED BAKE' (HORNEAR CON VELOCIDAD) O 'SPEED ROAST' (ASAR CON VELOCIDAD). EL MICROONDAS ESTÁ ACTIVO DURANTE ESTOS CICLOS DE COCCIÓN. EL USO DE CUALQUIER METAL QUE NO SEA LAS REJILLAS PARA HORNO SUMINISTRADOS Y LAS REJILLAS ALTA Y BAJA DEL PLATO GIRATORIO, AUMENTA EL RIESGO DE ARCO ELÉCTRICO Y POSIBLEMENTE INCENDIO DENTRO DE LA CAVIDAD DEL HORNO.

SPEED BAKE (HORNEAR CON VELOCIDAD)

Esta función brinda resultados superiores para alimentos horneados que requieren más de 20 minutos de tiempo de horneado. La función de cocción SPEED BAKE alterna la potencia del horno entre 90% para horno de convección y 10% para microondas para crear superficies de color café dorado e interiores perfectamente húmedos para alimentos tales como pasteles Bundt, panes rápidos y muffins.

SPEED ROAST (ASAR CON VELOCIDAD)

Este es ideal para cortes grandes y densos de carne y aves enteras. La función de cocción SPEED ROAST alterna la potencia del horno entre 70% para horno de convección y 30% horno microondas. Esto reduce el tiempo de cocción porque las microondas calientan rápida y directamente el interior del alimento mientras que la función de convección circula aire seco y caliente a través de la cavidad del horno para proporcionar una cocción uniforme con dorado para exteriores crujientes mientras el interior conserva su textura jugosa.

	TEMPERATURA DEL HORNO POR OMISIÓN	POTENCIA DEL MICROONDAS
SPEED BAKE	325 °F (162 °C)	10%
SPEED ROAST	300 °F (162 °C)	30%

Con excepción de los alimentos que se cuecen mejor calentando únicamente por convección, la mayoría de los alimentos se adaptan bien a la cocción mixta usando SPEED BAKE (Hornear con velocidad) o SPEED ROAST (Asar con velocidad).

La combinación de estos dos métodos de cocción produce carnes jugosas, bizcochos húmedos y suaves y panes de fina textura, dorados y crujientes en el punto exacto.

Puede cambiar las temperaturas, sin embargo, no puede cambiar la potencia del microondas.

La temperatura del horno se puede cambiar de 100 °F a 450 °F (37-232 °C). Para cambiar la temperatura, toque primero SPEED ROAST o SPEED BAKE, luego toque el mismo interruptor táctil nuevamente. Cuando la pantalla indique SELECT TEMP (Seleccione temperatura), toque el interruptor táctil correspondiente a la temperatura deseada. Ej: Interruptor táctil SPEED ROAST, SPEED ROAST, [7]. La temperatura cambiará automáticamente a 375 °F (190 °C).

CÓMO COCINAR CON FUNCIONES DE VELOCIDAD

- Suponga que quiere hornear un pastel durante 25 minutos en SPEED BAKE :

1. Toque el interruptor táctil SPEED BAKE.

Características de la convección

- Ingrese el tiempo de cocción tocando los interruptores táctiles **2|5|0|0**.
- Toque el interruptor táctil START/+30 SEC.

PARA PRECALENTAR Y COCINAR CON FUNCIONES DE VELOCIDAD

Su microondas se puede programar para combinar las funciones de precalentamiento y de velocidad. Usted puede precalentar a la misma temperatura que la combinación de temperaturas prefijada o cambiar a una temperatura diferente.

- Suponga que quiere precalentar a 350 °F (176 °C) y después cocinar durante 25 minutos a 325 °F (162 °F) en SPEED BAKE:
- Toque el interruptor táctil PREHEAT.
 - Toque el interruptor táctil de temperatura **6**_{350°F}.
 - Toque el interruptor táctil SPEED BAKE.
 - Toque el interruptor táctil SPEED BAKE una vez más para cambiar la temperatura de cocción.
 - Toque el interruptor táctil de temperatura **5**_{325°F}.
 - Ingrese el tiempo de cocción tocando los interruptores táctiles **2|5|0|0**.
 - Toque el interruptor táctil START/+30 SEC.

Cuando el horno alcance la temperatura programada, escuchará la señal 4 veces*. El horno se detendrá y las instrucciones aparecerán en la pantalla. Siga el mensaje indicado.

- Abra la puerta. Coloque los alimentos en el horno. Cierre la puerta. Toque el interruptor táctil START/+30 SEC.

* Si la puerta del horno no se abre, el horno mantendrá automáticamente la temperatura de precalentamiento durante 30 minutos. Al cumplirse este período, el horno emitirá una señal audible y se apagará.

Nota: Su horno de convección puede cocinar cualquier alimento perfectamente debido a las numerosas maneras en que puede cocinar: solo microondas, funciones de velocidad, solo convección o a la parrilla. Este manual de operación le indica cómo programar el horno.

El horno no se puede usar si no está el plato giratorio en su lugar. Nunca restrinja el movimiento del plato giratorio.

CONSEJOS ÚTILES PARA COCCIÓN MEDIANTE LAS FUNCIONES DE CONVECCIÓN Y VELOCIDAD

Su horno de convección puede cocinar cualquier alimento perfectamente debido a las numerosas maneras en que puede cocinar: solo microondas, funciones de velocidad, solo convección o a la parrilla. Este manual de operación le indica cómo programar el horno.

El horno no se puede usar si no está el plato giratorio en su lugar. Nunca restrinja el movimiento del plato giratorio.

COCCIÓN POR CONVECCIÓN:

- Durante el precalentamiento, el plato giratorio puede estar presente o estar retirado. Cuando se usa la parrilla superior para hornear en 2 niveles en un horno precalentado, es más fácil retirar el plato giratorio para precalentar.

Coloque la rejilla alta sobre el plato giratorio junto con los alimentos. Al terminar el precalentamiento, abra la puerta del horno e introduzca rápidamente el plato giratorio junto con la rejilla alta y los alimentos a cocinar.
- No cubre el plato giratorio, la rejilla inferior o la rejilla superior con papel aluminio. Interferiría con el flujo de aire que cocina los alimentos.
- Las charolas redondas para pizza son excelentes utensilios para muchos alimentos que se cocinan mediante solo convección. Escoja charolas que no tengan manijas extendidas.
- El uso de una rejilla baja precalentada puede dar un aspecto de cocinado a la parrilla a los bistecs, hot dogs, etc.

COCCIÓN CON LAS FUNCIONES DE VELOCIDAD:

- Las carnes quedan mejor cuando se rostizan directamente sobre la rejilla inferior. Su puede colocar un plato bajo la carne si se van a utilizar los escurrimientos para preparar una salsa (gravy).
- Los cortes de carne menos tiernos se pueden asar y suavizar usando bolsas para cocinar en horno.
- Al hornear, revise si ya está listo cuando termine el tiempo. Si no está completamente cocido, deje reposar en el horno algunos minutos para completar la cocción.

Otras funciones convenientes

COCCIÓN EN SECUENCIAS MÚLTIPLES

El horno puede ser programado hasta para 4 secuencias automáticas de cocción para el modo de microondas y 2 secuencias de cocción con precalentamiento para el modo SPEED BAKE/SPEED ROAST (Hornear con velocidad/Asar con velocidad), intercambiando de un nivel de potencia a otro automáticamente.

A veces, las instrucciones de cocción le indican empezar en un nivel de potencia y luego cambiar a un nivel de potencia diferente. Su horno puede hacerlo automáticamente.

- Suponga que desea cocinar un rosbif por 5 minutos al 100 % y luego continuar la cocción por 30 minutos al 50%.
1. Primero toque el interruptor táctil POWER LEVEL dos veces para una potencia al 100%. Luego ingrese el tiempo de cocción.
 2. Toque el interruptor táctil POWER LEVEL. Presione el número **[5]** para una potencia al 50%. Luego ingrese el segundo tiempo de cocción.
 3. Toque el interruptor táctil START/+30 SEC.

Nota:

1. Si presiona dos veces el botón POWER LEVEL, aparecerá el mensaje HIGH (ALTO) en la pantalla.
2. Si desea saber el nivel de potencia, simplemente toque el interruptor táctil POWER LEVEL. Mientras su dedo toque el interruptor táctil POWER LEVEL, el nivel de potencia aparecerá en pantalla.

SETTINGS/TIMER (AJUSTES/TEMPORIZADOR)

SETTINGS le ofrece 7 funciones que facilitan el uso de su horno ya que la pantalla interactiva le brinda instrucciones específicas.

1. RELOJ

Para configurar el reloj:

1. Toque dos veces el interruptor táctil TIMER/SETTINGS.
2. Ingrese la hora correcta del día tocando los números en secuencia. Toque el interruptor táctil START/+30 SEC.

2. TEMPORIZADOR

- Suponga que quiere configurar el temporizador a 3 minutos.
1. Toque 3 veces el interruptor táctil TIMER/SETTINGS.
 2. Ingrese el tiempo tocando **[3][0][0]** con los interruptores táctiles.
 3. Toque el interruptor táctil START/+30 SEC.

3. SUPRESIÓN DE LA SEÑAL AUDIBLE

Si usted desea operar su horno microondas sin señales audibles, toque el interruptor táctil TIMER/SETTINGS 4 veces y el START/+30 SEC.

Para cancelar y restaurar la señal audible, toque el interruptor táctil TIMER/SETTINGS 4 veces y el START/+30 SEC.

4. SEÑAL DE RECORDATORIO

Si usted desea operar su horno sin señales de recordatorio, toque el interruptor táctil TIMER/SETTINGS 5 veces y el START/+30 SEC.

Para cancelar y restaurar la señal audible, toque el interruptor táctil TIMER/SETTINGS 5 veces y el START/+30 SEC.

5. UNIDADES DE PESO LBS/KGS

La temperatura por omisión del horno está configurada al sistema U.S. de unidades habitual - libras Para cambiar a KGS, toque TIMER/SETTINGS 6 veces y el número **[6]**. Luego, toque el interruptor táctil START/+30 SEC.

Para cambiar a KGS, toque TIMER/SETTINGS 6 veces y el número **[1]**. Luego, toque el interruptor táctil START/+30 SEC.

6. SELECCIONES DE TEMPERATURA

El ajuste de temperatura por omisión en el horno es °F. Para cambiar a °C, toque TIMER/SETTINGS 7 veces y el número **[1]**. Luego, toque el interruptor táctil START/+30 SEC.

Para cambiar a °F, toque TIMER/SETTINGS 7 veces y el número **[6]**. Luego, toque el interruptor táctil START/+30 SEC.

7. MODO DE DEMOSTRACIÓN

Para hacer una demostración, toque TIMER/SETTINGS 8 veces y luego toque START/+30 SEC y mantenga el toque durante 3 segundos. DEMO ON aparecerá en la pantalla. Ahora se pueden demostrar las operaciones de cocción y las características especiales específicas de cocción sin alimentar energía al horno. Por ejemplo, toque el interruptor táctil START/+30 SEC y la pantalla mostrará 1.00 y contará en forma regresiva rápidamente hasta END.

Para cancelar, toque el interruptor táctil TIMER/SETTINGS 8 veces y luego toque el interruptor táctil START/+30 SEC. Si le resulta más fácil, desconecte el horno del tomacorriente eléctrico y vuelva a conectarlo.

+30 SEC (+30 SEGUNDOS)

+30 SEC le permite cocinar durante 30 segundos al 100% mediante el toque del interruptor táctil START/+30 SEC. También puede extender el tiempo de cocción en múltiplos de 30 segundos tocando repetidamente

Otras funciones convenientes

el interruptor táctil START/+30 SEC durante la cocción manual hasta 99 minutos.

Nota:

- Para usar +30 SEC, toque el interruptor táctil dentro de los 3 minutos posteriores a la cocción, de cerrar la puerta o de tocar el interruptor táctil STOP/CLEAR.
- +30 SEC no se puede usar con los ajustes de Sensor, REHEAT o DEFROST.

BLOQUEO DE CONTROL

La función Safety Lock evita la operación no deseada del horno por parte de niños pequeños. El horno puede ajustarse para que el panel de control se desactive o bloquee. Para configurar, toque el interruptor táctil STOP/CLEAR y continúe tocando durante 3 segundos. Si se toca un interruptor táctil, aparecerá **LOCKON** en la pantalla.

Para cancelar, toque el interruptor táctil STOP/CLEAR y continúe tocando durante 3 segundos.

HELP (DISPLAY INDICATOR) - AYUDA (INDICADOR DE PANTALLA)

Muchas de las funciones tienen sugerencias para cocinar. Si desea verificarlo, toque el interruptor táctil TIMER/SETTINGS cuando se ilumine HELP en la pantalla interactiva para acceder a estas sugerencias.

Limpieza y cuidado

Desconecte el cable de alimentación antes de la limpieza o deje abierta la puerta para desactivar el horno durante la limpieza.

PARTE EXTERNA

La superficie exterior es de metal y plástico con recubrimiento previo. Limpie el exterior con jabón suave y agua; enjuague y seque con un paño suave. No utilice ningún tipo de limpiador doméstico o abrasivo.

PUERTA

Limpie cualquier salpicadura o derrame de la ventana por ambos lados con un paño húmedo. Las partes de metal son más fáciles de mantener si se limpian frecuentemente con un paño húmedo. Evite el uso de limpiadores con atomizadores o limpiadores ásperos, ya que pueden manchar, vetear u opacar la superficie de la puerta.

PANEL DE CONTROL TÁCTIL

El panel de control táctil debe limpiarse con cuidado. Si el panel de control se ensucia, abra la puerta del horno microondas antes de limpiarlo. Limpie el panel con un paño humedecido ligeramente sólo con agua. Seque con un paño suave. No restriegue ni use ningún tipo de limpiador químico. Cierre la puerta y toque el interruptor táctil STOP/CLEAR.

PARTE INTERNA - DESPUÉS DE LA COCCIÓN POR MICROONDAS

La limpieza es fácil porque se genera poco calor en las superficies internas; por lo tanto, las salpicaduras o derrames no se hornean ni endurecen. Para limpiar las superficies internas, limpie con un paño suave y húmedo con agua tibia. **NO USE LIMPIADORES ABRASIVOS O ÁSPEROS O ESPONJILLAS DE FREGAR.** Para una suciedad más intensa, utilice bicarbonato de sodio o un jabón suave; enjuague cuidadosamente con agua caliente. **NUNCA ROCÍE DIRECTAMENTE LIMPIADORES PARA HORNO SOBRE NINGUNA PARTE DEL HORNO.**

INTERIOR - DESPUÉS DE CONVECTION, SPEED BAKE O SPEED ROAST

Pueden ocurrir derrames debido a la humedad o la grasa. Lave inmediatamente después de usarlo con agua caliente jabonosa. Enjuague y seque. Los derrames difíciles de limpiar pueden ocurrir si no limpia bien el horno o si el tiempo de cocción es prolongado o la temperatura es muy alta. En ese caso, puede comprar una esponja limpiadora para horno que viene impregnada con líquido limpiador -no es la esponja de acero impregnada con jabón- para uso en superficies de acero o porcelana. Siga

cuidadosamente las instrucciones del fabricante y tenga especial cuidado de no derramar el líquido limpiador en los agujeros de la pared o techo ni en ninguna de las superficies de la puerta. Enjuague cuidadosamente y seque.

Después de limpiar bien la parte interna, puede eliminar la grasa residual de los ductos y calentadores internos con sólo hacer funcionar el horno a 450°F por 20 minutos sin alimentos. Ventile la habitación si es necesario.

CUBIERTA DE LA GUÍA DE ONDAS

La cubierta de la guía de onda está hecha de mica por lo que requiere cuidado especial. Conserve limpia la cubierta de la guía de onda para asegurar un buen rendimiento del horno. Limpie cuidadosamente con un paño humedecido cualquier salpicadura de alimento de la superficie de la cubierta inmediatamente después de que haya ocurrido. Las salpicaduras acumuladas pueden provocar sobrecalentamiento y ocasionar humo o posiblemente incendiarse. No retire la cubierta de la guía de onda.

ELIMINACIÓN DE OLORES

Ocasionalmente, el olor de la cocción puede permanecer en el horno. Para retirarlo, mezcle 1 taza de agua, el jugo de 1 limón y su cáscara rallada y varios clavos enteros en una taza de medida de vidrio con capacidad para 2 tazas. Hierva por varios minutos utilizando la potencia al 100%. Deje reposar en el horno hasta que enfríe. Limpie el interior con un paño suave.

PLATO GIRATORIO/ SOPORTE DEL PLATO GIRATORIO

El plato giratorio, el soporte del plato giratorio, y las rejillas se pueden retirar para facilitar su limpieza. Lávelos en agua jabonosa suave; para manchas persistentes utilice un limpiador suave y una esponja de fregar no abrasiva. También son aptos para el lavavajillas. Use la rejilla superior del lavavajillas para el soporte del plato giratorio.

Los alimentos con alto grado de acidez, como tomates o limones, causarán que el esmalte de porcelana del plato giratorio pierda su color. No cocine alimentos con alto grado de acidez directamente sobre el plato giratorio; de ocurrir un derrame, seque inmediatamente.

El eje del motor del plato giratorio no está sellado, de modo que no debe quedar agua en exceso o derrames en esta área.

Especificaciones

Voltaje en línea de CA:	Clasificación UL solo 240V, 50Hz, AC monofásico Clasificación CSA solo 220V, 50Hz, CA monofásico
Se requiere energía de CA:	Clasificación UL/CSA 11.5 A, 2550 W
Potencia de salida:	
Microondas*	950 vatios
Calentador por convección	1600 vatios
Frecuencia	2450 MHz
Dimensiones exteriores (ancho x altura x profundidad):	29 1/2" x 17 7/8" x 25 13/16" (749.3 x 454.02 x 655.6 mm)
Dimensiones de la cavidad (ancho x altura x profundidad):	17 1/16" x 9 7/16" x 16 15/16" (433.4 x 239.7 x 430.2 mm)
Capacidad del horno:**	1.6 pies cúbicos
Uniformidad de la cocción:	Sistema plato giratorio, diámetro 16" (3406.4 mm)


* Método estandarizado de la Comisión Electrotécnica Internacional para la medición de la potencia en vatios de salida. Este método de prueba es ampliamente reconocido.

** La capacidad interna se calcula midiendo el ancho, la profundidad y la altura máxima. La capacidad real para los alimentos es menor.

Cumple con las normas establecidas por:

FCC – Autorizado por la Comisión Federal de Comunicaciones.

DHHS – Cumple con la norma del Departamento de Salud y Servicios Humanos (DHHS), CFR, Título 21, capítulo I, subcapítulo J.

 – Este símbolo en la placa de identificación significa que el producto tiene la certificación de Underwriters Laboratories, Inc. para uso en EE.UU. o Canadá.

NHW – Departamento de salud y bienestar nacional del Canadá.

El horno está aprobado por Canadian Standard Association según está certificado.

Revisión para solicitud de servicio

Revise lo siguiente antes de llamar para solicitar servicio:

1. Coloque en el horno una taza de agua en una taza medidora de vidrio y cierre la puerta firmemente.

Opere el horno por un minuto en HIGH 100%.

A ¿Se enciende la luz del horno?

SÍ _____ NO _____

B ¿Funciona el ventilador de enfriamiento?

(Coloque su mano en la ranura de ventilación posterior.)

SÍ _____ NO _____

C ¿El plato giratorio gira?

(Es normal que el plato giratorio gire en cualquier dirección.)

SÍ _____ NO _____

D ¿El agua que está en el horno está caliente?

SÍ _____ NO _____

2. Retire el agua del horno y hágalo funcionar por 5 minutos en CONVECCIÓN a 450 °F (232 °C).

Opere el horno por un minuto en HIGH 100%.

A ¿Se encienden las luces indicadoras CONV y COOK?

SÍ _____ NO _____

B Después de apagarse el horno, ¿todavía está caliente su parte interna?

SÍ _____ NO _____

Si respondió "NO" a cualquiera de las preguntas anteriores, por favor revise el tomacorriente eléctrico, la caja de fusibles y/o el interruptor del circuito. Si están funcionando correctamente, COMUNÍQUESE CON EL PERSONAL DE SERVICIO AUTORIZADO MÁS CERCANO.

Un horno microondas nunca debe ser reparado por una persona "no calificada"

Nota:

Si el tiempo que aparece en la pantalla está haciendo cuenta regresiva rápidamente, verifique el Modo de demostración en la página 24 y cancele.

Garantía del Horno

DOS AÑOS DE GARANTÍA TOTAL

Hornos de microondas de convección / velocidad y todos sus componentes, excepto como se detalla a continuación*, están garantizados de estar libres de defectos en materiales o mano de obra en uso doméstico normal por un periodo de dos (2) años a partir de la fecha de compra original al por menor. Viking Range, el garante, se compromete a reparar o reemplazar, a su elección, cualquier parte que falle o se encuentre defectuosa durante el periodo de garantía. El servicio de garantía debe ser realizado por una agencia de servicio o representante autorizado de Viking Range LLC.

* 90 días de garantía cosmética: Se garantiza que los productos están libres de defectos cosméticos en materiales o mano de obra durante un período de 90 días a partir de la fecha original de compra al por menor. Esta garantía cubre únicamente los defectos en manufactura y no cubre problemas resultantes de manejo o instalación. Se debe inspeccionar el producto en el momento de la entrega. Cualquier defecto debe ser informado al distribuidor dentro del período de noventa (90) días. Viking Range LLC usa procesos más actualizados y materiales de alta calidad para producir todos los acabados de color. Sin embargo, puede ser posible que se observe una ligera variación de color debido a diferencias inherentes en los componentes pintados y en componentes de porcelana así como por diferencias en la ubicación del producto y la iluminación natural o artificial. El servicio de garantía debe ser realizado por una agencia de servicio o representante autorizado de Viking Range LLC.

* 90 Días Residencial Plus: Los productos Viking están diseñados y certificados solo para uso residencial. No están destinados para utilizarse en aplicaciones comerciales. Los productos Viking deberán usarse solo con apego a los códigos nacional y local.

Viking no es responsable por daños a la propiedad o lesiones resultantes del uso en una aplicación comercial. Como apoyo a la calidad de manufactura de sus artefactos, Viking proporcionará una garantía completa de 90 días para los productos usados en aplicaciones de tipo "Residencial Plus". La garantía "Residencial Plus" se aplica a las aplicaciones en las que el uso del producto se extiende más allá del uso residencial pero cumple con el código nacional y el local. En algunas jurisdicciones estas aplicaciones se clasifican como residenciales. Ejemplos de tales aplicaciones cubiertas por esta garantía, pero sin limitarse a ellas, son hospedajes tipo 'cama y desayuno', estaciones de bomberos, clubes privados, iglesias, áreas comunes de condominios/apartamentos, etc. Bajo esta garantía "Residencial Plus", el producto, sus componentes y accesorios están garantizados de estar libres de materiales o mano de obra defectuosos por un período de noventa (90) días a partir de la fecha de la compra original al por menor. Viking Range, LLC, el garante, se compromete a reparar o reemplazar, a su elección, cualquier parte que falle o se encuentre defectuosa durante el periodo de garantía. Esta garantía cubre las partes y la mano de obra. Esta garantía excluye el uso del producto en ubicaciones comerciales tales como restaurantes, ubicaciones de servicios alimenticios y ubicaciones de servicios alimenticios institucionales.

CINCO AÑOS DE GARANTÍA LIMITADA

Si el tubo del magnetrón falla debido a materiales o mano de obra defectuosa en uso doméstico normal durante el tercero al quinto año a partir de la fecha de compra original al por menor, será reparado o reemplazado, sin cargo para dicha parte, pagando el propietario todos los demás gastos, incluyendo mano de obra.

TÉRMINOS DE LA GARANTÍA

Esta garantía se extiende al comprador original al por menor del producto que aquí se garantiza y a cada propietario cesionario del producto durante el plazo de la garantía al comprador original. Esta garantía es transferible por parte del comprador original al por menor solo a través de la venta de una casa. Si un propietario cesionario no puede presentar prueba de la compra del comprador original y el producto no se ha registrado previamente, la fecha de producción del producto, ubicada en el número de serie del producto, servirá como la fecha efectiva de inicio de la garantía.

La fecha de activación de la garantía empieza en la fecha de la compra original al por menor. En el caso de la compra de nuevos productos a través de la venta de desarrollos de edificios, la fecha de activación empieza en la fecha más antigua ya sea del certificado de ocupación o bien 24 meses a partir de la fecha de fabricación. Nótese que la fecha de fabricación se identifica mediante la etiqueta de serie en el producto.

Esta garantía no cubre las unidades compradas como material de 'calidad b', de liquidación, salvamento, segundas, restaurados, tal como están, o usados.

Esta garantía se aplicará a los productos comprados en los Estados Unidos y Canadá. Los productos deben ser comprados en el país donde se solicite el servicio. El servicio de garantía debe ser realizado por una agencia de servicio o representante autorizado de Viking Range LLC. La garantía no se aplicará a daños que resulten de abuso, accidente, desastres naturales, pérdida de energía eléctrica para el producto por cualquier razón, alteración, instalación inadecuada, operación inadecuada, reparación o servicio de reparación del producto por alguien ajeno a una agencia de servicio o representante autorizado de Viking Range LLC. Esta garantía no se aplica para uso comercial. El garante no se responsabiliza por daños indirectos o incidentales si surgen como resultado del incumplimiento de la garantía, incumplimiento del contrato, u otro. Algunas jurisdicciones no permiten la exclusión o limitación de daños incidentales o indirectos, de modo que la limitación o exclusiones anteriores pueden no aplicarse a usted.

El propietario será responsable de una adecuada instalación, proporcionar un cuidado y mantenimiento normal, presentando el comprobante de compra cuando se le solicite, y hacer que el electrodoméstico esté razonablemente accesible para reparación. Si el producto o una de las partes componentes contienen un defecto o falla durante el periodo de garantía, después de un número razonable de intentos por parte del garante para remediar los defectos o fallas, el propietario tiene derecho ya sea a un reembolso o reemplazo, a juicio del garante, del producto o de la parte o partes componentes. La responsabilidad del garante en cualquier reclamo de cualquier tipo, con respecto a los productos o servicios que aquí se cubren, no deberá en ningún caso exceder el precio de los productos o servicio o de una parte de los mismos que origine el reclamo.

SERVICIO DE GARANTÍA

Según los términos de esta garantía, el servicio debe ser realizado por un agente o representante de servicio autorizado de Viking Range LLC. El servicio será proporcionado durante horas normales de trabajo y la mano de obra realizada a tasas de sobretiempo o con bonificación no será cubierta por esta garantía. Para obtener el servicio de garantía, póngase en contacto con el servicio de atención al cliente de Viking Range LLC al tel. 1-888-845-4641. Tenga a la mano el número de modelo, número de serie y la fecha de la compra original al hacer la llamada. **IMPORTANTE:** Conserve el comprobante de compra original para establecer el periodo de garantía. La devolución de la Tarjeta de registro del propietario no es una condición para la cobertura de la garantía. Sin embargo, usted debe devolver la Tarjeta de registro del propietario de modo que Viking Range Corporation pueda ponerse en contacto con usted si surgiera algún aspecto de seguridad que pudiera afectarle. Cualquier garantía implícita de comerciabilidad e idoneidad aplicable a los conjuntos de quemadores descritos anteriormente, quemadores de asador infrarrojos, rejillas de parrilla y partes de acero inoxidable está limitada en duración al periodo de cobertura de las garantías limitadas escritas expresas aplicables establecidas anteriormente. Algunas jurisdicciones no permiten limitaciones sobre cuánto tiempo dura una garantía implícita, de modo que la limitación antes mencionada puede no aplicarse a usted. Esta garantía le da derechos legales específicos, aunque usted también puede tener otros derechos que pueden variar dependiendo de la jurisdicción.

Especificaciones sujetas a cambio sin previo aviso.

VIKING RANGE, LLC
111 FRONT STREET
GREENWOOD, MISSISSIPPI 38930 USA
(662) 455-1200

PARA MÁS INFORMACIÓN SOBRE PRODUCTOS
LLAME AL 1-888-845-4641, O VISITE NUESTRO SITIO
WEB EN VIKINGRANGE.COM

TINS-B361URRO