

PINECREST

SIMPLE SELECT SHOWER SYSTEM WITH RAINFALL SHOWER & HAND SHOWER - LEVER HANDLE

SKU: 949737



CONTENTS

TRIM	PAGE 2
ROUGH-IN VALVE	PAGE 3
SHOWER HEAD	PAGE 4
SHOWER ARM	PAGE 5
HAND SHOWER	PAGE 6
SLIDE BAR	PAGE 7
HOSE	PAGE 8
SUPPLY ELBOW	PAGE 9

FEATURES

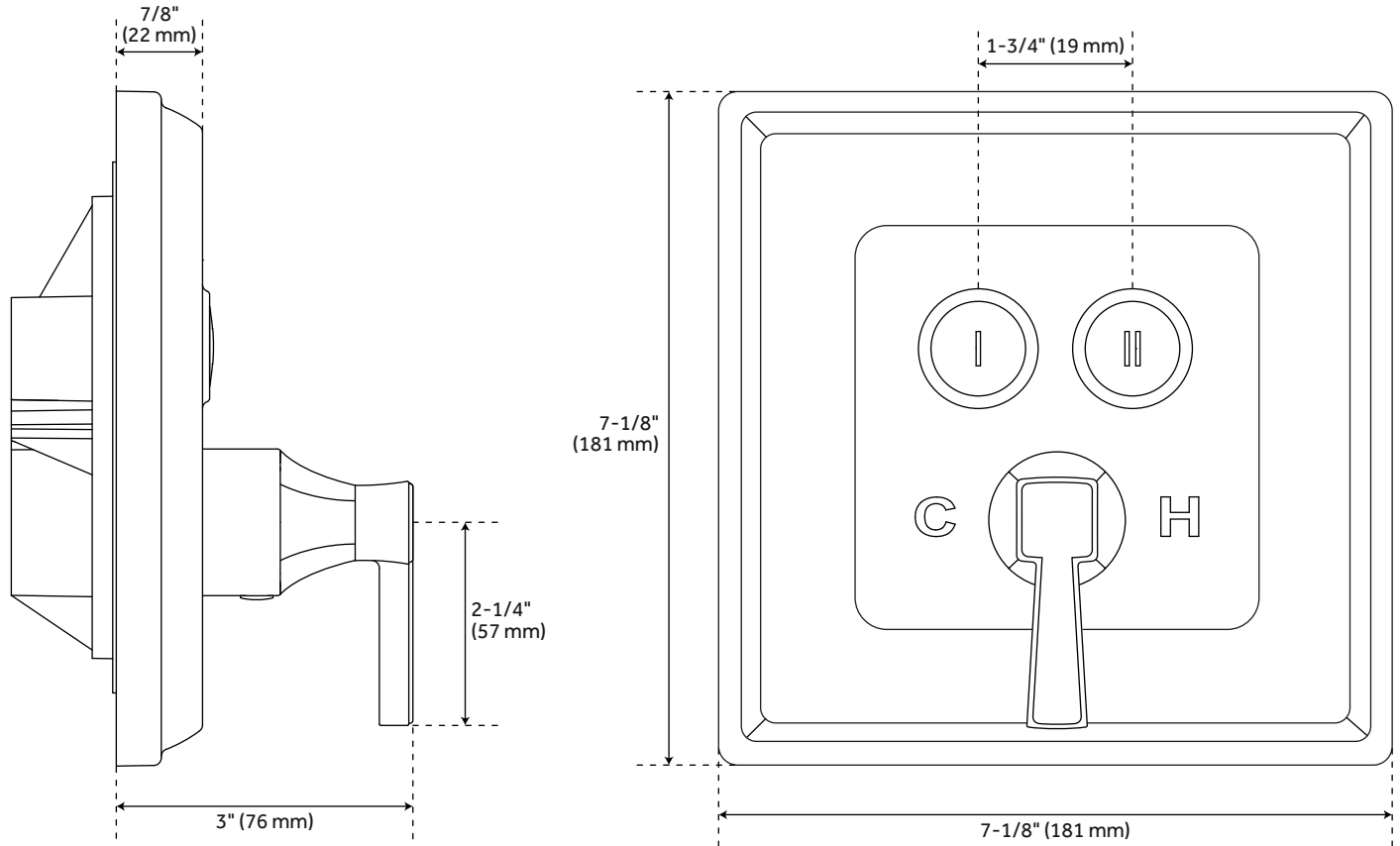
- Shape: Square
 - Handle Type: Lever
 - Features: Hand Shower Included, Pressure-Balanced
 - Assembly Required: Yes
 - Design: Modern
 - Mounting Hardware Included: Yes
 - Shower Head Installation Type: Wall
 - Shower Head Spray: Rainfall
 - Shower Arm Included: Yes
 - Shower Head Swivel: Yes
 - Hand Shower Material: Abs
 - Water Connection Included: Yes
 - Diverter Included: Yes
 - Diverter Outlets: 2
 - Dual Functionality Allows for One or Both Shower Features to Run at a Time
 - Single Function Shower Heads (Full Spray) Easy-Clean Silicone Nozzles
 - 3 Function Hand Shower: Full Spray, Massage Spray, Full & Massage Spray
- Optional Rough-In Valve:**
- Pressure Balanced With Integral Stops
 - One-Piece Cartridge Design For Ease of Maintenance
 - Back-to-Back Capability
 - Adjustable Temperature Limit Stop
 - Quick Remove Plaster Guard
 - Easy Mounting Brackets
 - With Restrictor Installed, This Valve is Compliant With CALGreen and the California Plumbing Code

REVISED 03/18/2021

PINECREST

SIMPLE SELECT VALVE TRIM

SKU: 949737



FEATURES

Material: Brass
Width: 7-1/8"
Height: 7-1/8"
Depth: 3"
Connection: 1/2" NPT

CODES/STANDARDS

cUPC
ASME A112.18.1/CSA B125.1
Massachusetts Accepted

PRODUCT IMAGE



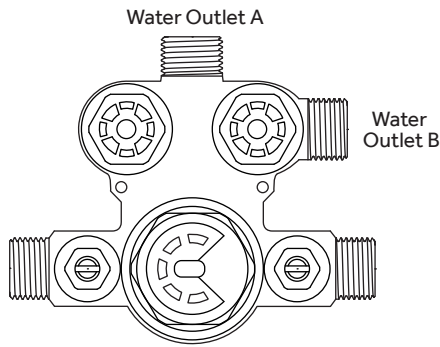
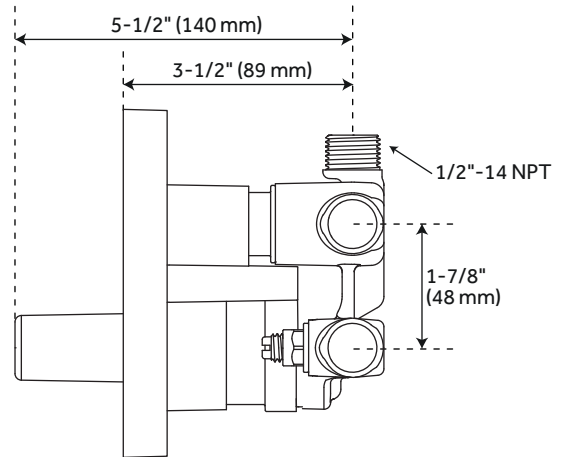
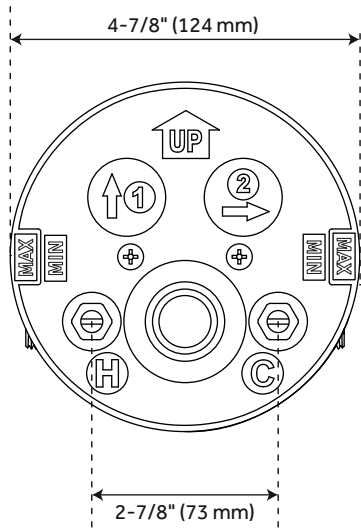
All dimensions and specifications are nominal and may vary. Use actual products for accuracy in critical situations.

PAGE 2
Code: SHPC8040LH

PINECREST

OPTIONAL PRESSURE BALANCE ROUGH-IN VALVE

SKU: 949737



STANDARD:

Pressure (psi)		20	40	60	80
Simultaneous (Both Valves Open)	Total (gpm)	3.4	5	6.3	7.4
	Outlet A (gpm)	1.2	2.2	2.9	3.5
	Outlet B (gpm)	2.2	2.8	3.4	3.9
Separate (A or B Closed)	Outlet A (gpm)	2.5	3.9	4.8	5.5
	Outlet B (gpm)	2.5	3.9	4.8	5.5

WITH FLOW RESTRICTOR:

Pressure (psi)		20	40	60	80
Simultaneous (Both Valves Open)	Total (gpm)	1.20	1.40	1.53	1.64
	Outlet A (gpm)	0.43	0.56	0.64	0.68
	Outlet B (gpm)	0.77	0.84	0.89	0.96
Separate (A or B Closed)	Outlet A (gpm)	1.17	1.38	1.49	1.59
	Outlet B (gpm)	1.16	1.39	1.49	1.60

FEATURES

- Length: 4-7/8"
- Width: 4-3/8"
- Depth: 5-1/2"
- Connection: 1/2"-14 NPT

CODES/STANDARDS

- cUPC
- ASME A112.18.1/CSA B125.1
- ASSE 1016 Type P
- Massachusetts Accepted

PRODUCT IMAGE



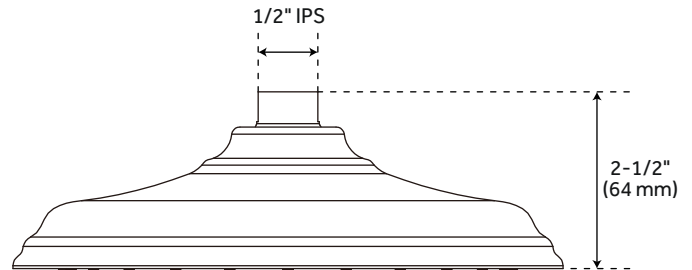
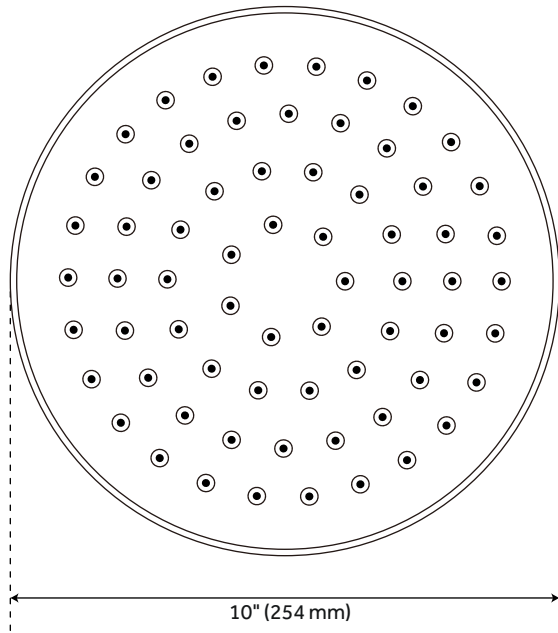
All dimensions and specifications are nominal and may vary. Use actual products for accuracy in critical situations.

PAGE 3
Code: SH5001SSG

PINECREST

TRADITIONAL ROUND RAINFALL SHOWER HEAD

SKU: 949737



FEATURES

Material: Stainless Steel
Diameter: 10"
Height: 2-1/2"
Connection: 1/2" IPS
Shower Head Flow Rate:
1.8 gpm (6.8 L/min) max @ 80 psi

CODES/STANDARDS

cUPC
ASME A112.18.1/CSA B125.1
CEC Listed
Massachusetts Accepted

PRODUCT IMAGE



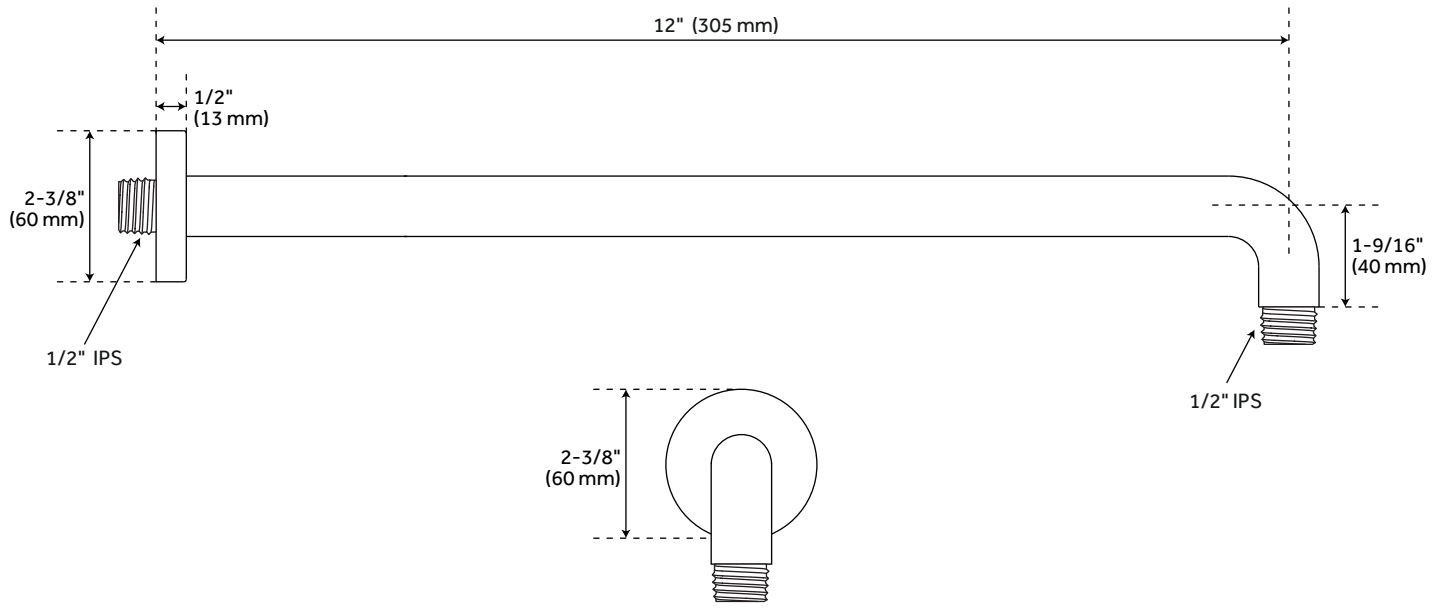
All dimensions and specifications are nominal and may vary. Use actual products for accuracy in critical situations.

PAGE 4
Code: SHRS1020TG

PINECREST

WALL-MOUNT RAINFALL SHOWER ARM

SKU: 949737



FEATURES

Material: Brass
Shower Arm Extension: 12"
Height: 1-9/16"
Base Plate Diameter: 2-3/8"
Escutcheon Included
Connection: 1/2" IPS

CODES/STANDARDS

cCSAus
ASME A112.18.1/CSA B125.1
Massachusetts Accepted

PRODUCT IMAGE



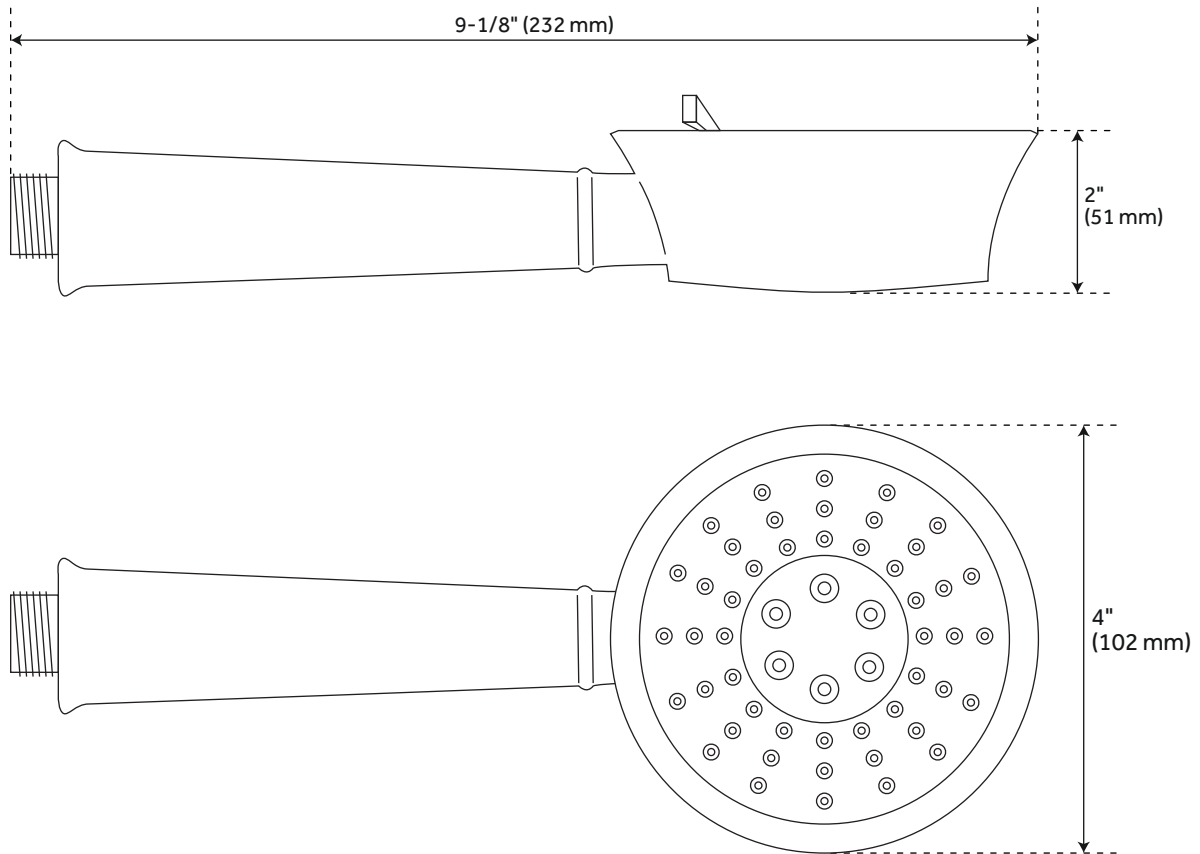
All dimensions and specifications are nominal and may vary. Use actual products for accuracy in critical situations.

PAGE 5
Code: SHRSA120

PINECREST

HAND SHOWER

SKU: 949737



FEATURES

Material: ABS
Length: 4"
Width: 2"
Height: 9-1/8"
Maximum Flow Rate:
1.8 gpm (6.8L/min) max @ 80 psi

CODES/STANDARDS

cUPC
ASME A112.18.1/CSA B125.1
ASME A112.18.3
WaterSense
CEC Listed

PRODUCT IMAGE



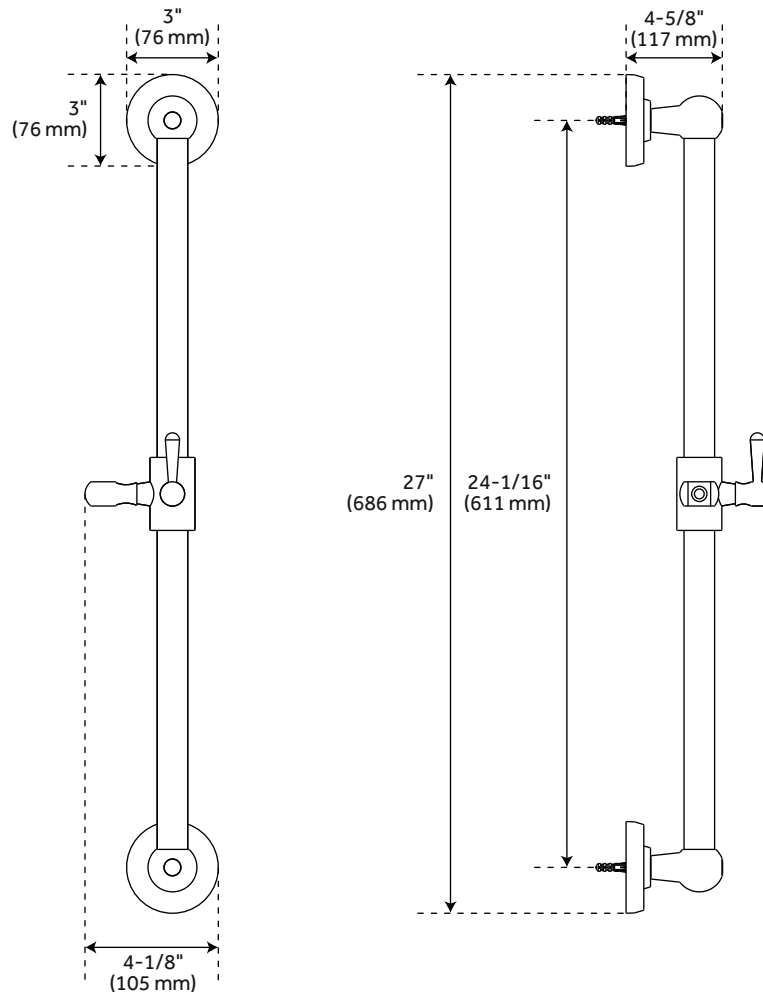
All dimensions and specifications are nominal and may vary. Use actual products for accuracy in critical situations.

PAGE 6
Code: SHHS4090G

PINECREST

27" TRADITIONAL SLIDE BAR FOR HAND SHOWER

SKU: 949737



FEATURES

- Material: Brass
- Length: 4-1/8"
- Width: 4-5/8"
- Height: 27"
- Base Plate Height: 3"
- Base Plate Width: 3"

PRODUCT IMAGE



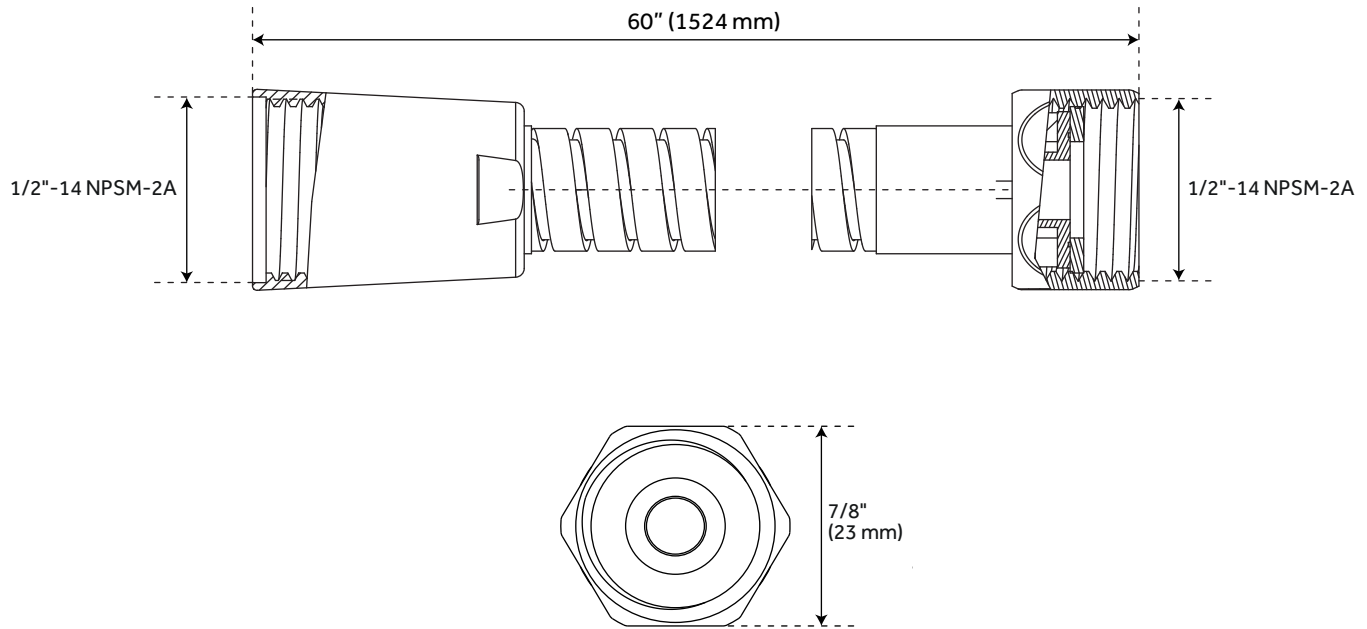
All dimensions and specifications are nominal and may vary. Use actual products for accuracy in critical situations.

PAGE 7
Code: SHSB3030Z

PINECREST

METAL HOSE FOR HAND SHOWER

SKU: 949737



FEATURES

Length: 60"
Connection: 1/2"-14 NPSM-2A
Double Spiral Construction
Metal Conical Nut

CODES/STANDARDS

cUPC
ASME A112.18.1/CSA B125.1
Massachusetts Accepted

PRODUCT IMAGE



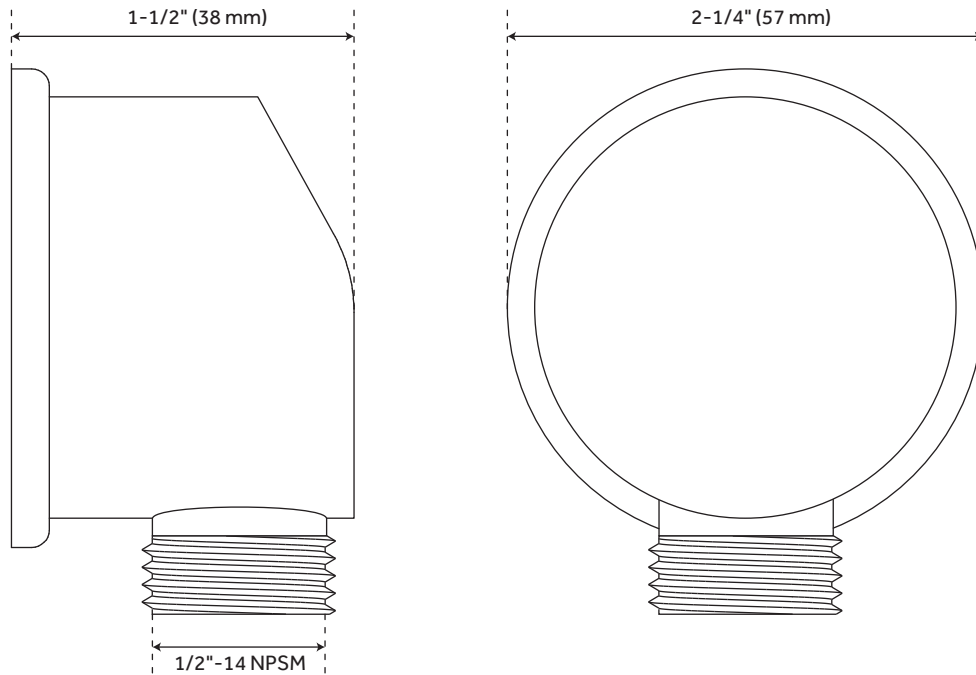
All dimensions and specifications are nominal and may vary. Use actual products for accuracy in critical situations.

PAGE 8
Code: SHH1010Z

PINECREST

ROUND WATER SUPPLY ELBOW FOR HAND SHOWER

SKU: 949737



FEATURES

Material: Brass
Length: 2-1/4"
Width: 1-1/2"
Height: 2-1/4"
Connection: 1/2"-14 NPSM

CODES/STANDARDS

cCSAus
ASME A112.18.1/CSA B125.1
Massachusetts Accepted

PRODUCT IMAGE



All dimensions and specifications are nominal and may vary. Use actual products for accuracy in critical situations.

PAGE 9
Code: SHWE2060