

VILAMONTE

SIMPLE SELECT DUAL SHOWER HEAD SHOWER SYSTEM

SKU: 949744



CONTENTS

| | |
|----------------------|--------|
| TRIM | PAGE 2 |
| ROUGH-IN VALVE | PAGE 3 |
| SHOWER HEAD | PAGE 4 |
| SHOWER ARM | PAGE 5 |

FEATURES

- Shape: Square
- Handle Type: Lever
- Features: Pressure-Balanced
- Assembly Required: Yes
- Design: Modern
- Mounting Hardware Included: Yes
- Shower Head Installation Type: Wall
- Number of Shower Heads: 2
- Shower Head Material: ABS
- Shower Head Spray: Single Function
- Shower Arm Included: Yes
- Shower Head Swivel: Yes
- Diverter Included: Yes
- Diverter Outlets: 2
- Dual Functionality Allows for One or Both Shower Features to Run at a Time
- Single Function Shower Heads (Full Spray)
- Easy-Clean Silicone Nozzles

Optional Rough-In Valve:

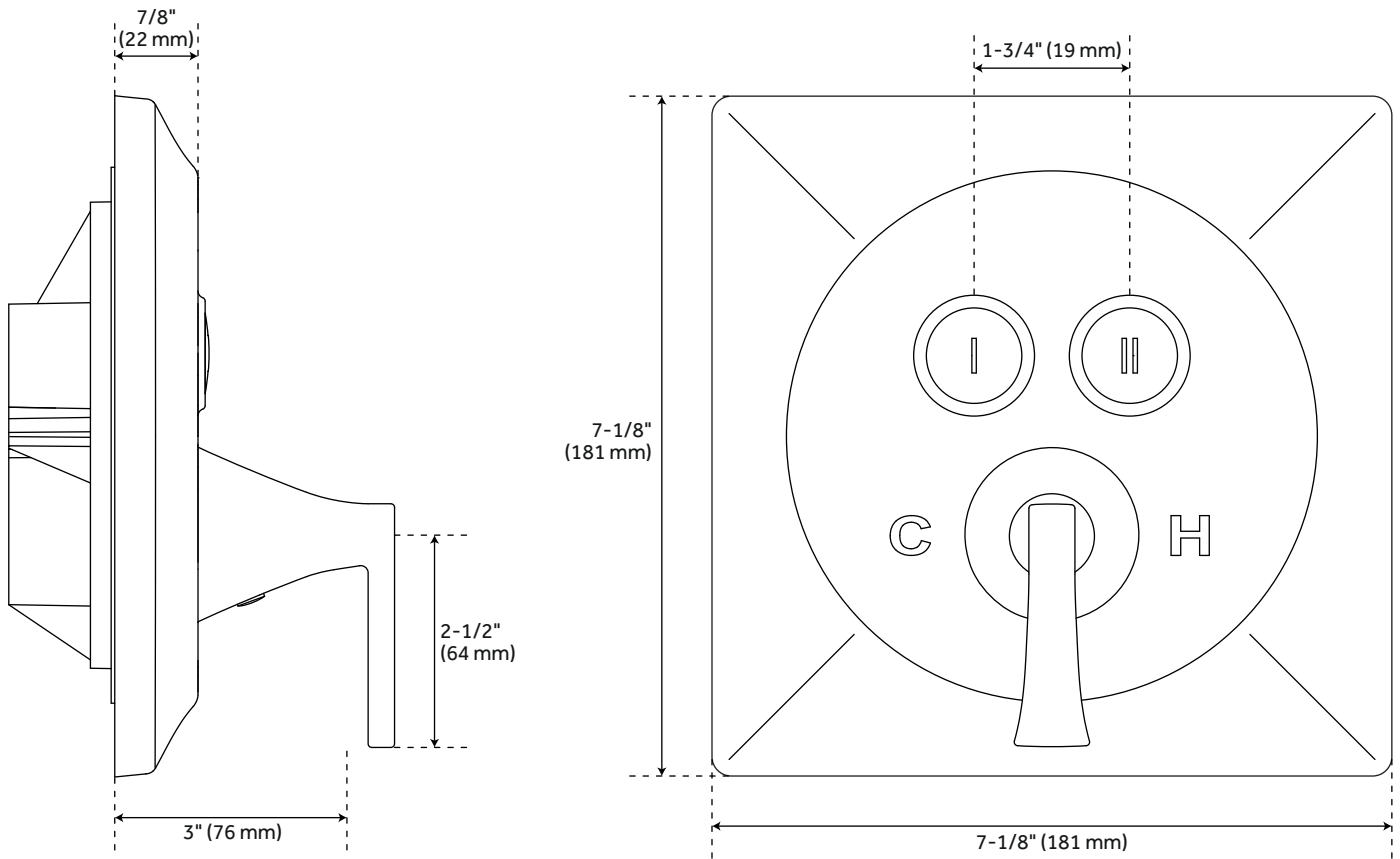
- Pressure Balanced With Integral Stops
- One-Piece Cartridge Design for Ease of Maintenance
- Back-to-Back Capability
- Adjustable Temperature Limit Stop
- Quick Remove Plaster Guard
- Easy Mounting Brackets
- With Restrictor Installed, This Valve is Compliant With CALGreen and the California Plumbing Code

REVISED 03/18/2021

VILAMONTE

SIMPLE SELECT TRIM

SKU: 949744



FEATURES

Material: Brass
Width: 7-1/8"
Height: 7-1/8"
Depth: 3"
Connection: 1/2" NPT

CODES/STANDARDS

cUPC
ASME A112.18.1/CSA B125.1
ICC/ANSI A117.1 (when installed
according to ADA standards)
Massachusetts Accepted

PRODUCT IMAGE



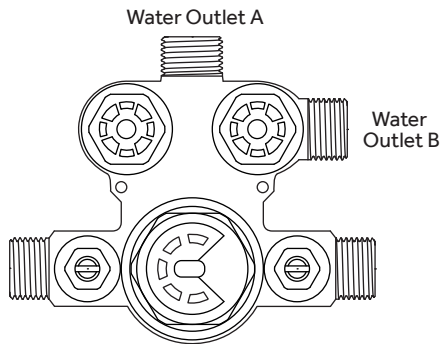
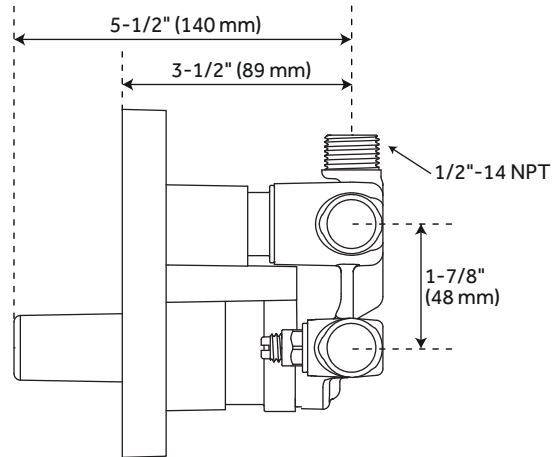
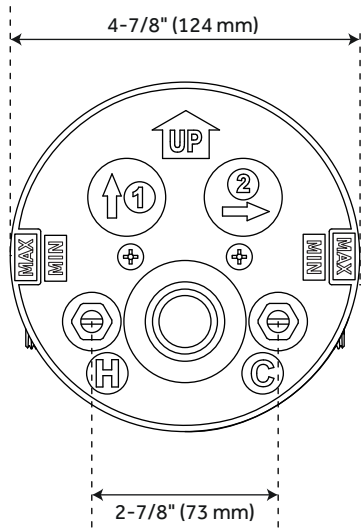
All dimensions and specifications are nominal and may vary. Use actual products for accuracy in critical situations.

PAGE 2
Code: SHVL8040Z

VILAMONTE

OPTIONAL PRESSURE BALANCE ROUGH-IN VALVE

SKU: 949744



STANDARD:

| Pressure (psi) | | 20 | 40 | 60 | 80 |
|------------------------------------|----------------|-----|-----|-----|-----|
| Simultaneous (Both Valves Open) | Total (gpm) | 3.4 | 5 | 6.3 | 7.4 |
| | Outlet A (gpm) | 1.2 | 2.2 | 2.9 | 3.5 |
| | Outlet B (gpm) | 2.2 | 2.8 | 3.4 | 3.9 |
| Separate (A or B Closed) | Outlet A (gpm) | 2.5 | 3.9 | 4.8 | 5.5 |
| | Outlet B (gpm) | 2.5 | 3.9 | 4.8 | 5.5 |

WITH FLOW RESTRICTOR:

| Pressure (psi) | | 20 | 40 | 60 | 80 |
|------------------------------------|----------------|------|------|------|------|
| Simultaneous (Both Valves Open) | Total (gpm) | 1.20 | 1.40 | 1.53 | 1.64 |
| | Outlet A (gpm) | 0.43 | 0.56 | 0.64 | 0.68 |
| | Outlet B (gpm) | 0.77 | 0.84 | 0.89 | 0.96 |
| Separate (A or B Closed) | Outlet A (gpm) | 1.17 | 1.38 | 1.49 | 1.59 |
| | Outlet B (gpm) | 1.16 | 1.39 | 1.49 | 1.60 |

FEATURES

- Length: 4-7/8"
- Width: 4-3/8"
- Depth: 5-1/2"
- Connection: 1/2"-14 NPT

CODES/STANDARDS

- cUPC
- ASME A112.18.1/CSA B125.1
- ASSE 1016 Type P
- Massachusetts Accepted

PRODUCT IMAGE



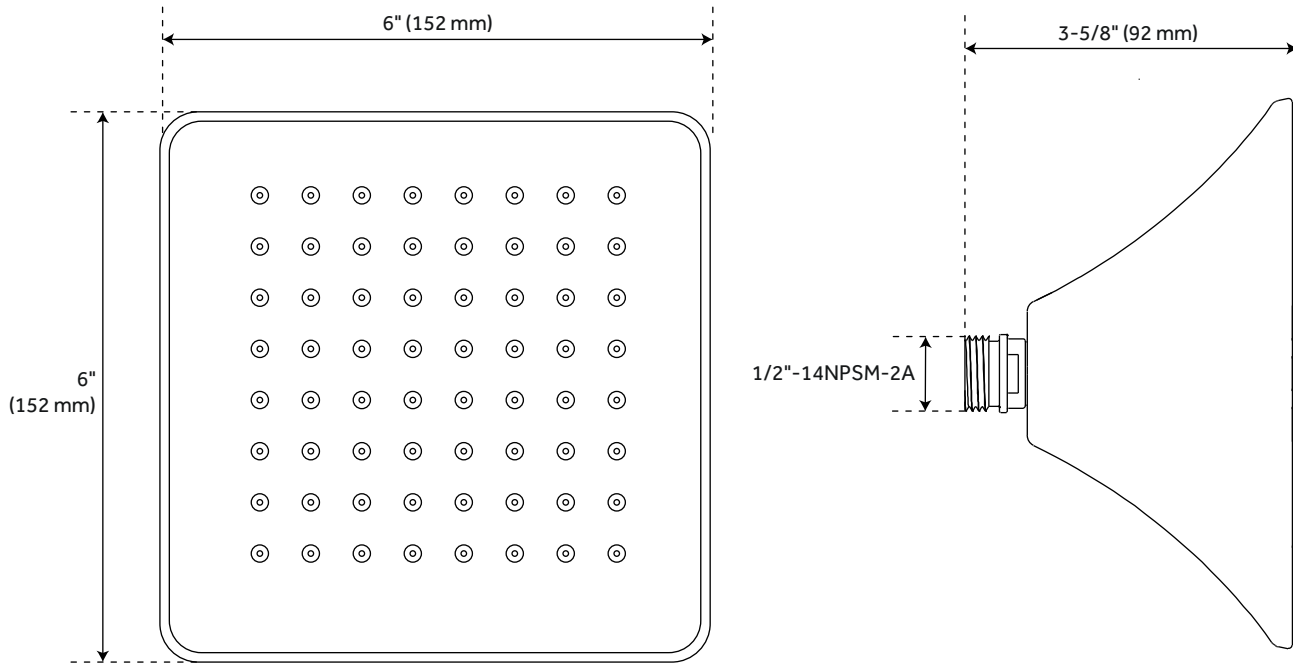
All dimensions and specifications are nominal and may vary. Use actual products for accuracy in critical situations.

PAGE 3
Code: SH5001SSG

VILAMONTE

SHOWER HEAD

SKU: 949744



FEATURES

Material: ABS
Length: 6"
Width: 6"
Height: 3-5/8"
Connection: 1/2" IPS
Shower Head Flow Rate:
1.8 gpm (6.8 L/min) max @ 80 psi

CODES/STANDARDS

cUPC
ASME A112.18.1/CSA B125.1
WaterSense
CEC Listed
Massachusetts Accepted

PRODUCT IMAGE



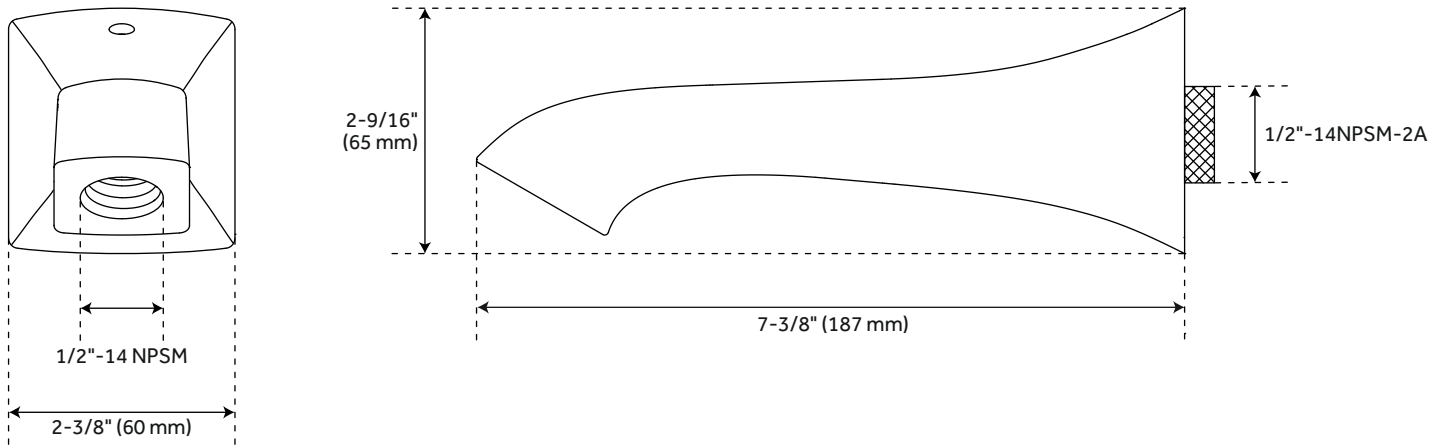
All dimensions and specifications are nominal and may vary. Use actual products for accuracy in critical situations.

PAGE 4
Code: SHSH2060GZ

VILAMONTE

SHOWER ARM

SKU: 949744



FEATURES

Material: Brass
Length: 7-3/8"
Width: 2-3/8"
Height: 2-9/16"
Connection: 1/2" IPS

CODES/STANDARDS

cUPC
ASME A112.18.1/CSA B125.1
Massachusetts Accepted

PRODUCT IMAGE



All dimensions and specifications are nominal and may vary. Use actual products for accuracy in critical situations.

PAGE 5
Code: SHSK88Z