

HIBISCUS

SIMPLE SELECT SHOWER SYSTEM WITH RAINFALL SHOWER AND HAND SHOWER

SKU: 949742



CONTENTS

TRIM	PAGE 2
ROUGH-IN VALVE	PAGE 3
SHOWER HEAD	PAGE 4
SHOWER ARM	PAGE 5
HAND SHOWER	PAGE 6
SLIDE BAR	PAGE 7
HOSE	PAGE 8
SUPPLY ELBOW	PAGE 9

FEATURES

- Shape: Square
- Handle Type: Lever
- Features: Hand Shower Included, Pressure-Balanced
- Assembly Required: Yes
- Design: Modern
- Mounting Hardware Included: Yes
- Shower Head Installation Type: Ceiling
- Shower Head Spray: Rainfall
- Shower Arm Included: Yes
- Shower Head Swivel: Yes
- Water Connection Included: Yes
- Diverter Included: Yes
- Diverter Outlets: 2
- Dual Functionality Allows for One or Both Shower Features to Run at a Time
- Single Function Shower Head (Full Spray)
- Easy-Clean Silicone Nozzles

Optional Rough-In Valve:

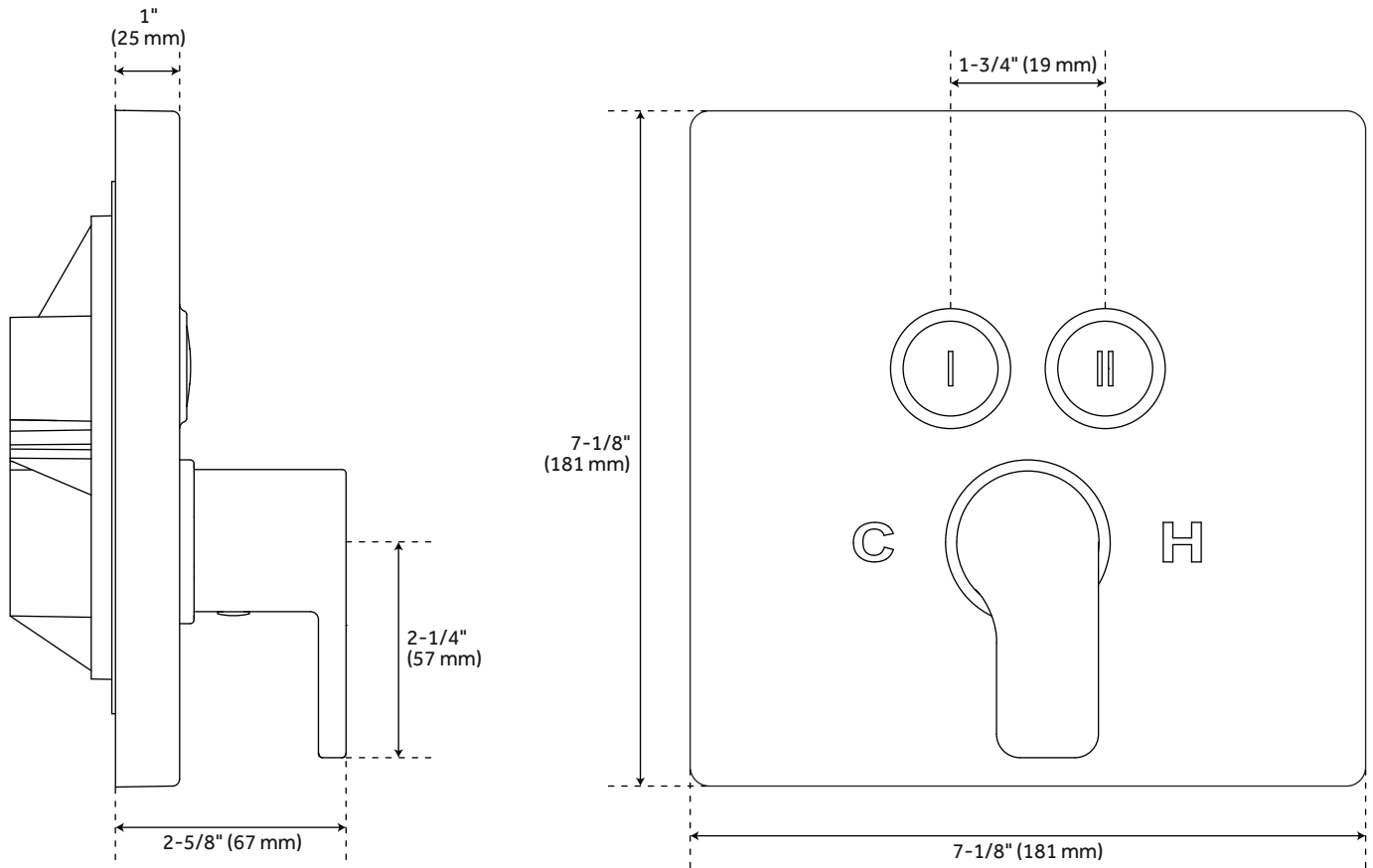
- Pressure Balanced With Integral Stops
- One-Piece Cartridge Design For Ease of Maintenance
- Back-to-Back Capability
- Adjustable Temperature Limit Stop
- Quick Remove Plaster Guard
- Easy Mounting Brackets
- With Restrictor Installed, This Valve is Compliant With CALGreen and the California Plumbing Code

REVISED 03/18/2021

HIBISCUS

SIMPLE SELECT TRIM

SKU: 949742



FEATURES

Material: Brass
Width: 7-1/8"
Height: 7-1/8"
Depth: 2-5/8"
Connection: 1/2" NPT

CODES/STANDARDS

cUPC
ASME A112.18.1/CSA B125.1
Massachusetts Accepted

PRODUCT IMAGE



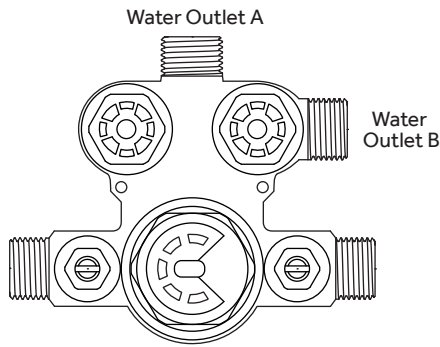
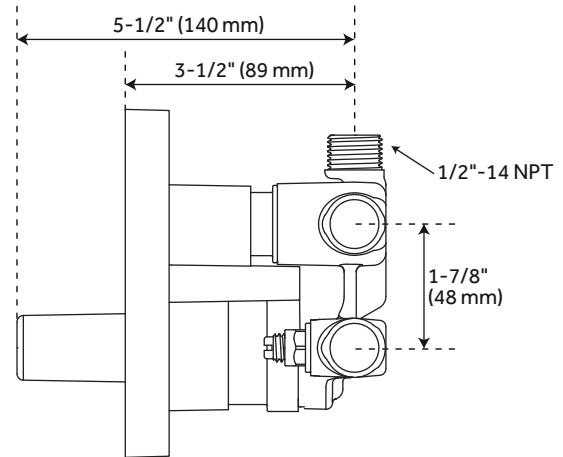
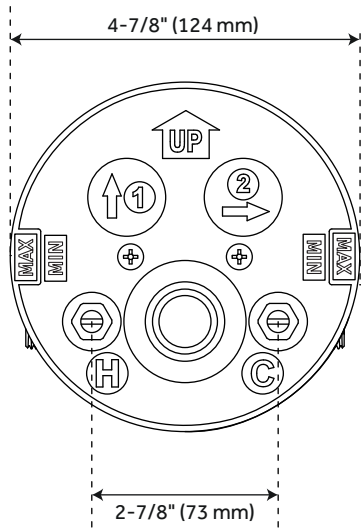
All dimensions and specifications are nominal and may vary. Use actual products for accuracy in critical situations.

PAGE 2
Code: SHHB8040Z

HIBISCUS

OPTIONAL PRESSURE BALANCE ROUGH-IN VALVE FOR SIMPLE SELECT TRIMS

SKU: 949742



STANDARD:

Pressure (psi)		20	40	60	80
Simultaneous (Both Valves Open)	Total (gpm)	3.4	5	6.3	7.4
	Outlet A (gpm)	1.2	2.2	2.9	3.5
	Outlet B (gpm)	2.2	2.8	3.4	3.9
Separate (A or B Closed)	Outlet A (gpm)	2.5	3.9	4.8	5.5
	Outlet B (gpm)	2.5	3.9	4.8	5.5

WITH FLOW RESTRICTOR:

Pressure (psi)		20	40	60	80
Simultaneous (Both Valves Open)	Total (gpm)	1.20	1.40	1.53	1.64
	Outlet A (gpm)	0.43	0.56	0.64	0.68
	Outlet B (gpm)	0.77	0.84	0.89	0.96
Separate (A or B Closed)	Outlet A (gpm)	1.17	1.38	1.49	1.59
	Outlet B (gpm)	1.16	1.39	1.49	1.60

FEATURES

- Length: 4-7/8"
- Width: 4-3/8"
- Depth: 5-1/2"
- Connection: 1/2"-14 NPT

CODES/STANDARDS

- cUPC
- ASME A112.18.1/CSA B125.1
- ASSE 1016 Type P
- Massachusetts Accepted

PRODUCT IMAGE



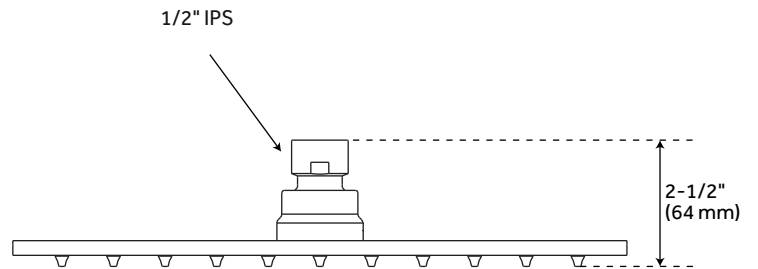
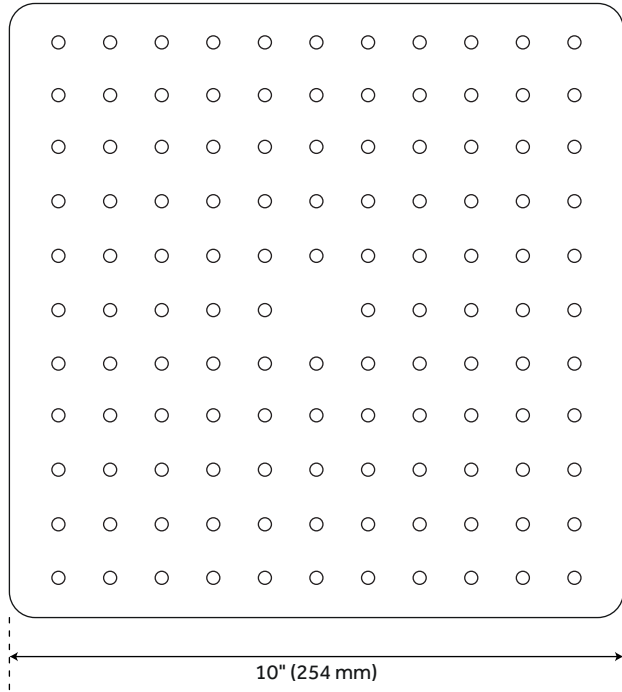
All dimensions and specifications are nominal and may vary. Use actual products for accuracy in critical situations.

PAGE 3
Code: SH5001SSG

HIBISCUS

SQUARE RAINFALL SHOWER HEAD WITH ROUNDED CORNERS

SKU: 949742



FEATURES

Material: Stainless Steel
Length: 10"
Width: 10"
Height: 2-1/2"
Connection: 1/2" IPS
Shower Head Flow Rate:
2.5 gpm (9.5 L/min) max @ 80 psi

CODES/STANDARDS

cCSAus
ASME A112.18.1/CSA B125.1
Massachusetts Accepted

PRODUCT IMAGE



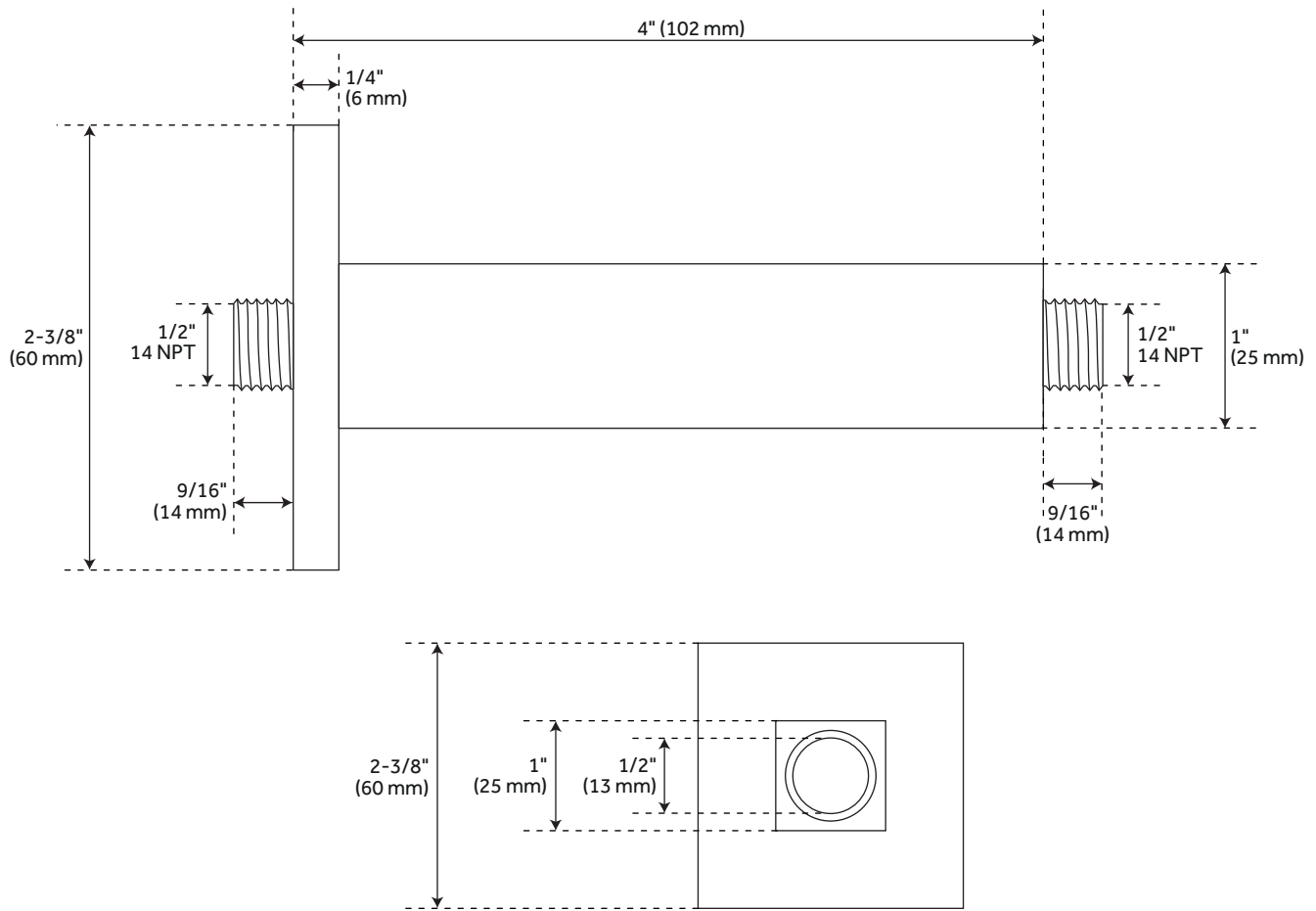
All dimensions and specifications are nominal and may vary. Use actual products for accuracy in critical situations.

PAGE 4
Code: SHRS1025S

HIBISCUS

CEILING-MOUNT SHOWER ARM

SKU: 949742



FEATURES

- Material: Brass
- Shower Arm Extension: 4"
- Base Plate Length: 2-3/8"
- Base Plate Width: 2-3/8"
- Escutcheon Included
- Connection: 1/2" IPS

CODES/STANDARDS

- cUPC
- ASME A112.18.1/CSA B125.1

PRODUCT IMAGE



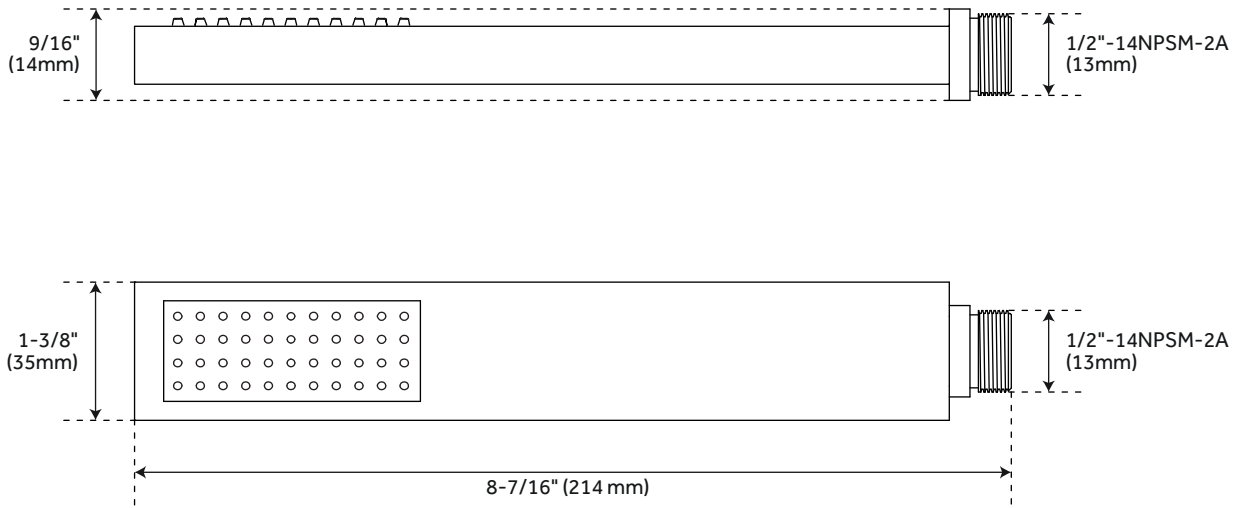
All dimensions and specifications are nominal and may vary. Use actual products for accuracy in critical situations.

PAGE 5
Code: SHRSC40S

HIBISCUS

HAND SHOWER

SKU: 949742



FEATURES

Material: ABS
Length: 1-3/8"
Width: 9/16"
Height: 8-7/16"
Maximum Flow Rate:
1.8 gpm (6.8L/min) max @ 80 psi

CODES/STANDARDS

cUPC
ASME A112.18.1/CSA B125.1
ASME A112.18.3
WaterSense
CEC Listed
Massachusetts Accepted

PRODUCT IMAGE



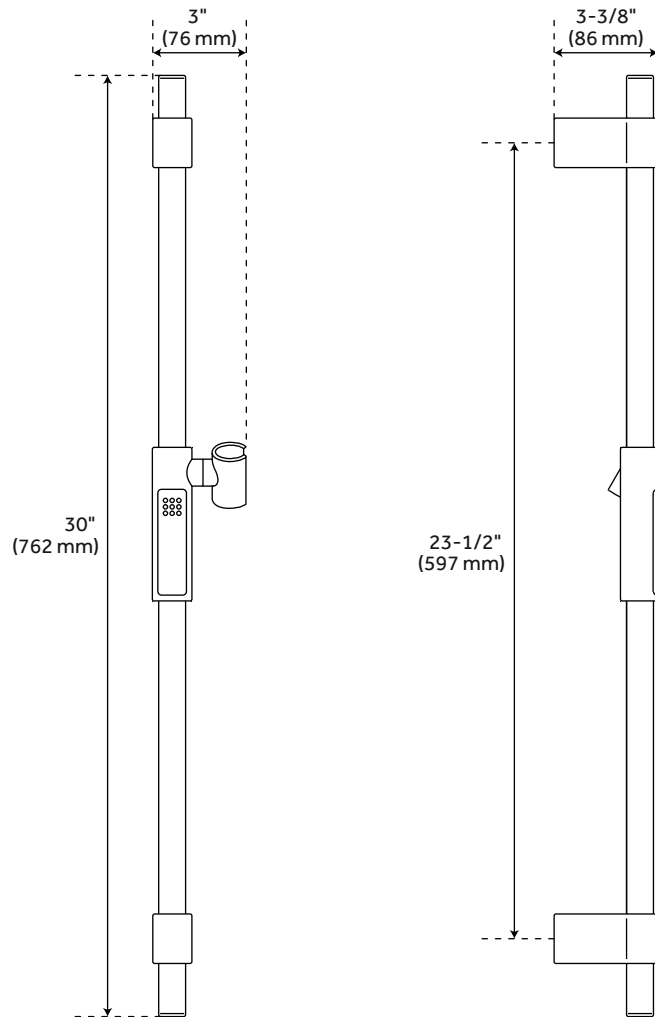
All dimensions and specifications are nominal and may vary. Use actual products for accuracy in critical situations.

PAGE 6
Code: SHHS4080GZ

HIBISCUS

30" SLIDE BAR

SKU: 949742



FEATURES

- Length: 30"
- Width: 3-3/8"
- Height: 30"
- Base Plate Width: 3/4"
- Base Plate Height: 1-1/2"
- Slide bar outside diameter: 7/8"
- Mounting Centers: 23-1/2"

PRODUCT IMAGE



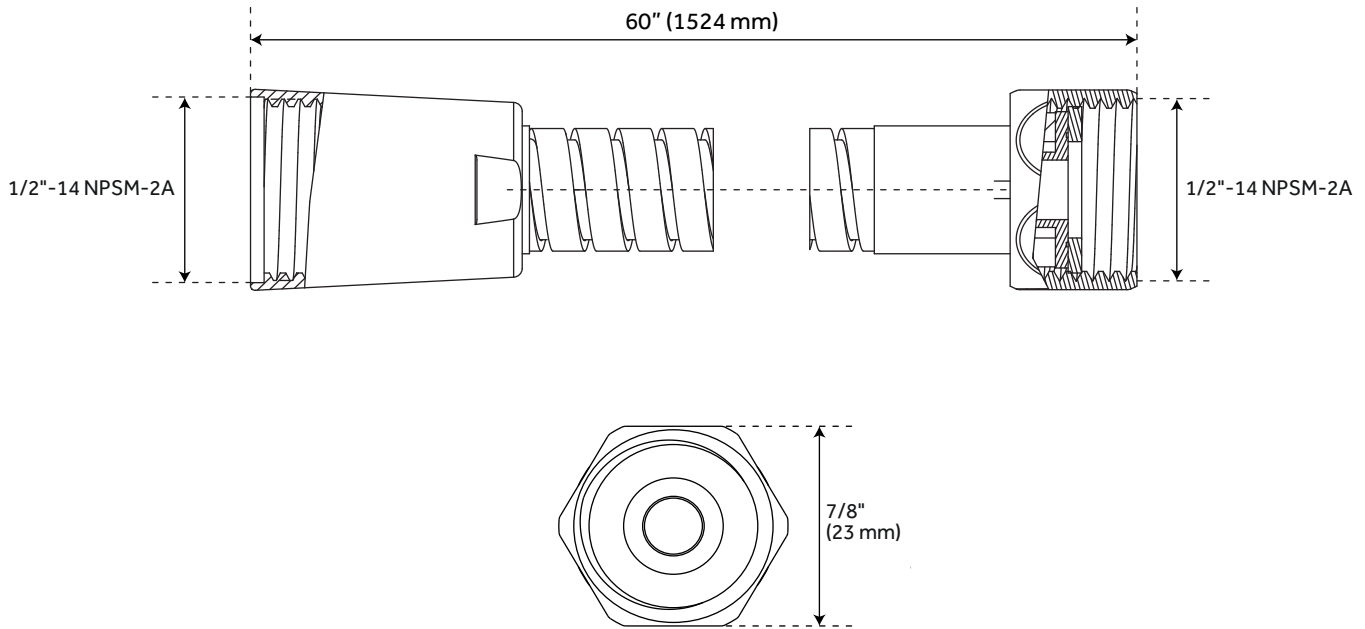
All dimensions and specifications are nominal and may vary. Use actual products for accuracy in critical situations.

PAGE 7
Code: SHSB3050

HIBISCUS

METAL HOSE FOR HAND SHOWER

SKU: 949742



FEATURES

Length: 60"
Connection: 1/2"-14 NPSM-2A
Double Spiral Construction
Metal Conical Nut

CODES/STANDARDS

cUPC
ASME A112.18.1/CSA B125.1
Massachusetts Accepted

PRODUCT IMAGE



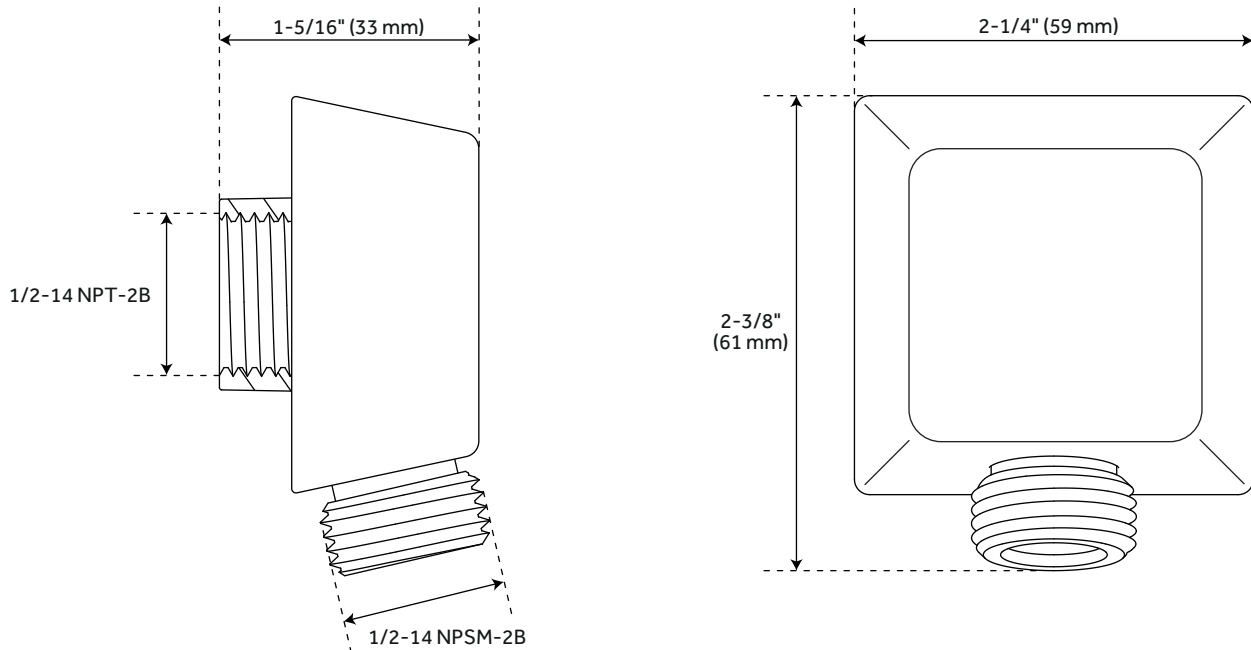
All dimensions and specifications are nominal and may vary. Use actual products for accuracy in critical situations.

PAGE 8
Code: SHH1010Z

HIBISCUS

SQUARE WATER SUPPLY ELBOW FOR HAND SHOWER

SKU: 949742



FEATURES

Material: Brass
Length: 2-1/4"
Width: 2-3/8"
Height: 1-5/16"
Wall Connection: 1/2-14 NPT-2B
Hose Connection: 1/2-14 NPSM-2B

CODES/STANDARDS

cUPC
ASME A112.18.1/CSA B125.1
Massachusetts Accepted

PRODUCT IMAGE



All dimensions and specifications are nominal and may vary. Use actual products for accuracy in critical situations.

PAGE 9
Code: SHWE2020Z