

PENDLETON

SIMPLE SELECT DUAL SHOWER HEAD SHOWER SYSTEM

SKU: 949730



CONTENTS

TRIM	PAGE 2
ROUGH-IN VALVE	PAGE 3
SHOWER HEAD	PAGE 4
SHOWER ARM	PAGE 5

FEATURES

- Shape: Round
- Handle Type: Lever
- Features: Pressure-Balanced
- Assembly Required: Yes
- Design: Modern
- Installation Type: Ceiling Mount
- Mounting Hardware Included: Yes
- Shower Head Installation Type: Ceiling
- Number of Shower Heads: 2
- Shower Head Sprayer: Rainfall
- Shower Arm Included: Yes
- Shower Head Swivel: Yes
- Diverter Included: Yes
- Diverter Outlets: 2
- Dual Functionality Allows for One or Both Shower Features to Run at a Time
- Dual Single Function Shower Heads (Full Spray)
- Easy-Clean Silicone Nozzles

Optional Rough-In Valve:

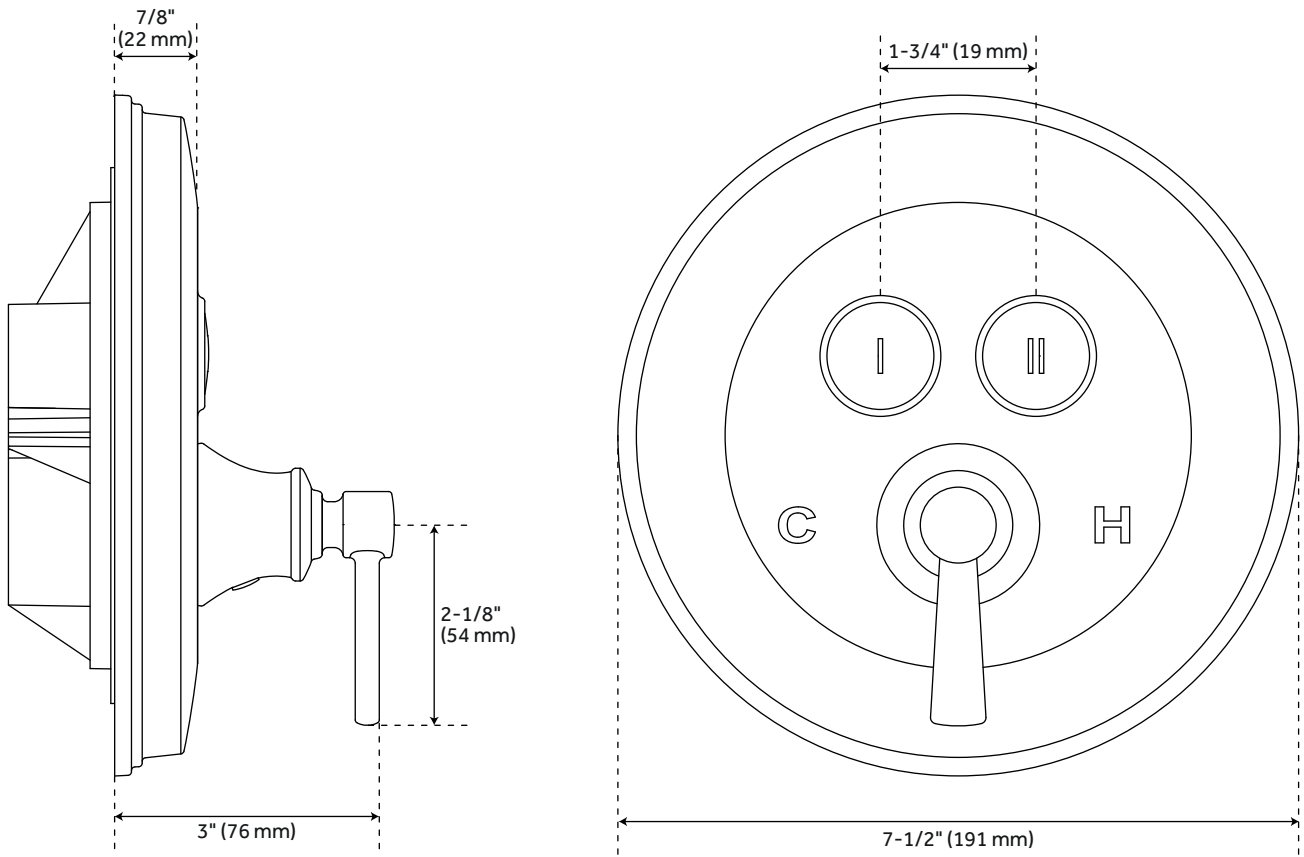
- Pressure Balanced With Integral Stops
- One-Piece Cartridge Design for Ease of Maintenance
- Back-to-Back Capability
- Adjustable Temperature Limit Stop
- Quick Remove Plaster Guard
- Easy Mounting Brackets
- With Restrictor Installed, This Valve is Compliant With CALGreen and the California Plumbing Code

REVISED 03/18/2021

PENDLETON

SIMPLE SELECT TRIM

SKU: 949730



FEATURES

Material: Brass
Diameter: 7-1/2"
Depth: 3"
Connection: 1/2" NPT

CODES/STANDARDS

cUPC
ASME A112.18.1/CSA B125.1
ICC/ANSI A117.1 (When installed
according to ADA standards)
Massachusetts Accepted

PRODUCT IMAGE



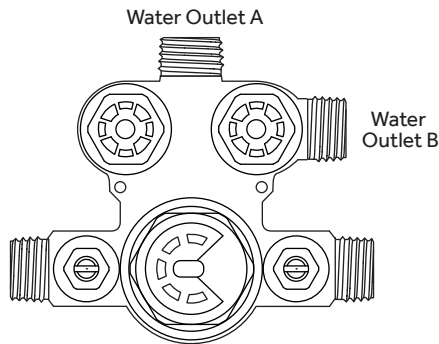
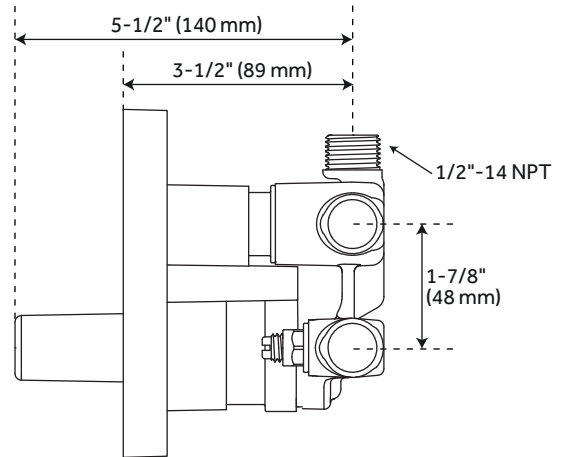
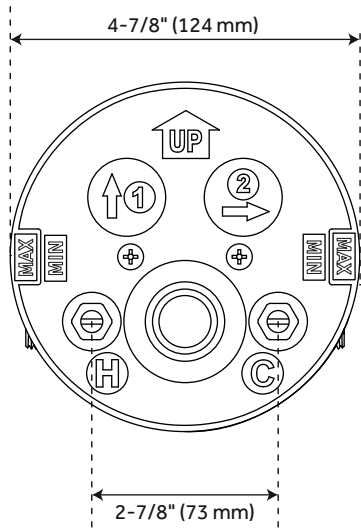
All dimensions and specifications are nominal and may vary. Use actual products for accuracy in critical situations.

PAGE 2
Code: SHPT8040

PENDLETON

OPTIONAL PRESSURE BALANCE ROUGH-IN VALVE

SKU: 949730



STANDARD:

Pressure (psi)		20	40	60	80
Simultaneous (Both Valves Open)	Total (gpm)	3.4	5	6.3	7.4
	Outlet A (gpm)	1.2	2.2	2.9	3.5
	Outlet B (gpm)	2.2	2.8	3.4	3.9
Separate (A or B Closed)	Outlet A (gpm)	2.5	3.9	4.8	5.5
	Outlet B (gpm)	2.5	3.9	4.8	5.5

WITH FLOW RESTRICTOR:

Pressure (psi)		20	40	60	80
Simultaneous (Both Valves Open)	Total (gpm)	1.20	1.40	1.53	1.64
	Outlet A (gpm)	0.43	0.56	0.64	0.68
	Outlet B (gpm)	0.77	0.84	0.89	0.96
Separate (A or B Closed)	Outlet A (gpm)	1.17	1.38	1.49	1.59
	Outlet B (gpm)	1.16	1.39	1.49	1.60

FEATURES

- Length: 4-7/8"
- Width: 4-3/8"
- Depth: 5-1/2"
- NPT Connection: 1/2"-14 NPT

CODES/STANDARDS

- cUPC
- ASME A112.18.1/CSA B125.1
- ASSE 1016 Type P
- Massachusetts Accepted

PRODUCT IMAGE



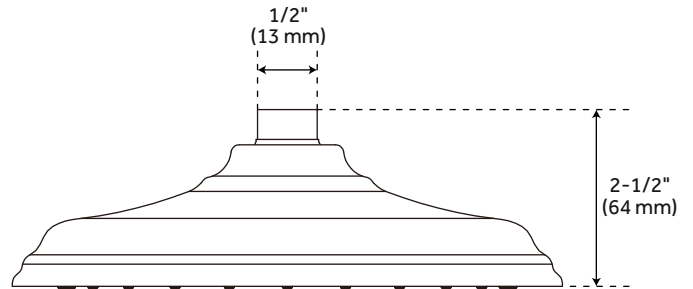
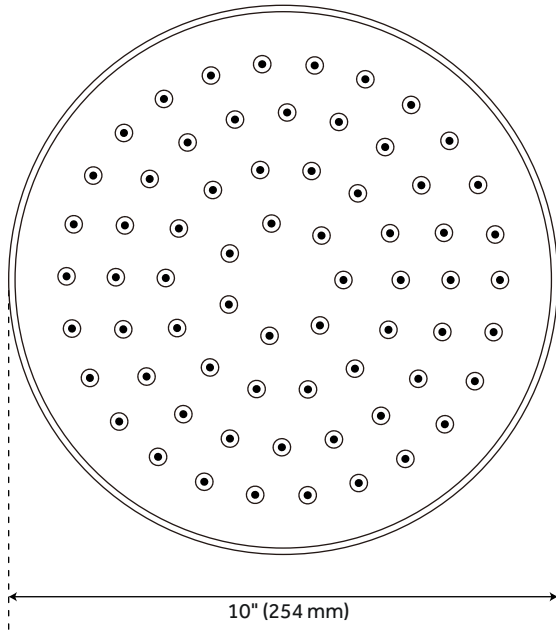
All dimensions and specifications are nominal and may vary. Use actual products for accuracy in critical situations.

PAGE 3
Code: SH5001SSG

PENDLETON

TRADITIONAL ROUND RAINFALL SHOWER HEAD

SKU: 949730



FEATURES

Diameter: 10"
Height: 2-1/2"
Connection: 1/2" IPS
Shower Head Flow Rate:
1.8 gpm (6.8 L/min) max @ 80 psi

CODES/STANDARDS

cUPC
ASME A112.18.1/CSA B125.1
CEC Listed
Massachusetts Accepted

PRODUCT IMAGE



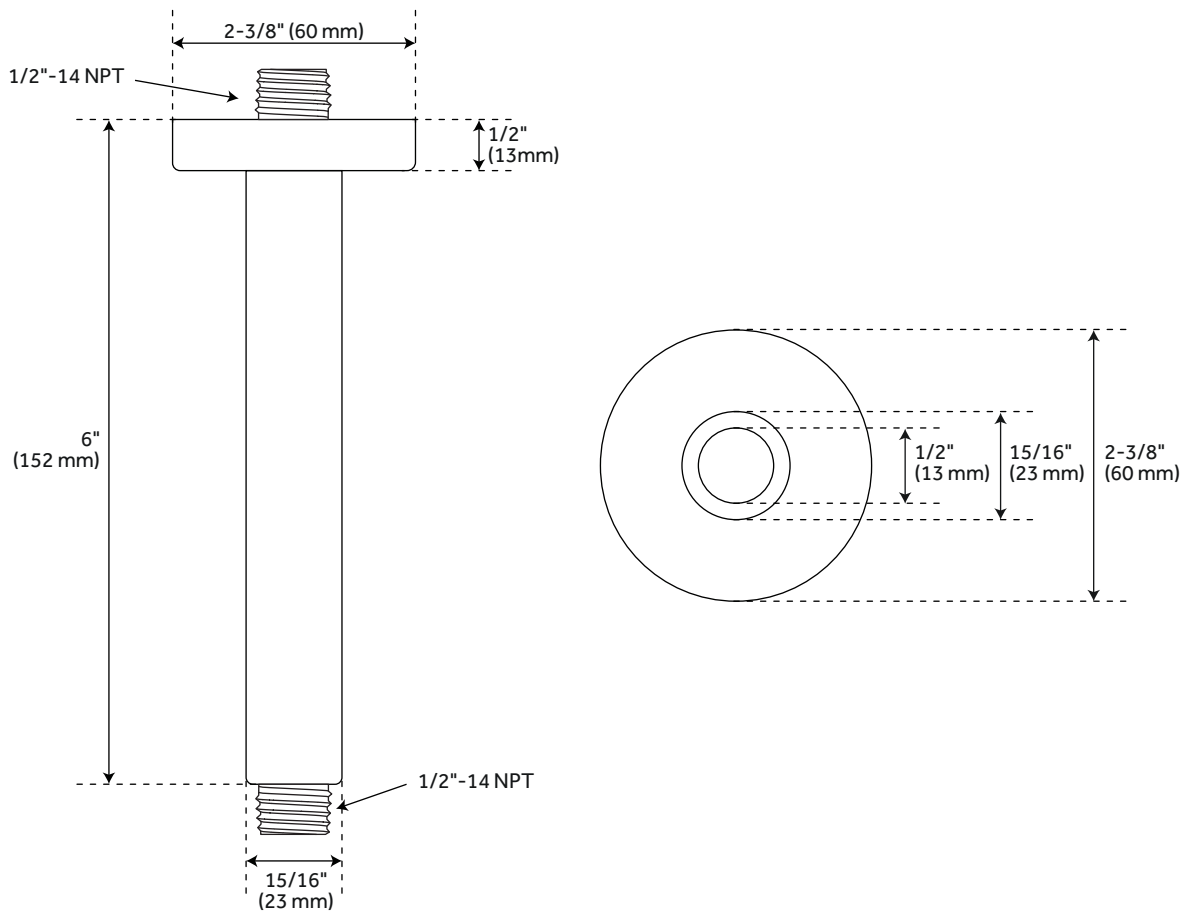
All dimensions and specifications are nominal and may vary. Use actual products for accuracy in critical situations.

PAGE 4
Code: SHRS1020TG

PENDLETON

ROUND CEILING-MOUNT SHOWER ARM

SKU: 949730



FEATURES

- Material: Brass
- Shower Arm Extension: 6"
- Base Plate Diameter: 2-3/8"
- Escutcheon Included
- Connection: 1/2" IPS

CODES/STANDARDS

- cCSAus
- ASME A112.18.1/CSA B125.1
- Massachusetts Accepted

PRODUCT IMAGE



All dimensions and specifications are nominal and may vary. Use actual products for accuracy in critical situations.

PAGE 5
Code: SHRSC60