

GREYFIELD

SIMPLE SELECT SHOWER SYSTEM WITH CEILING-MOUNT RAINFALL SHOWER AND HAND SHOWER

SKU: 949734



CONTENTS

TRIM	PAGE 2
ROUGH-IN VALVE	PAGE 3
SHOWER HEAD	PAGE 4
SHOWER ARM	PAGE 5
HAND SHOWER	PAGE 6
SLIDE BAR	PAGE 7
HOSE	PAGE 8
SUPPLY ELBOW	PAGE 9

FEATURES

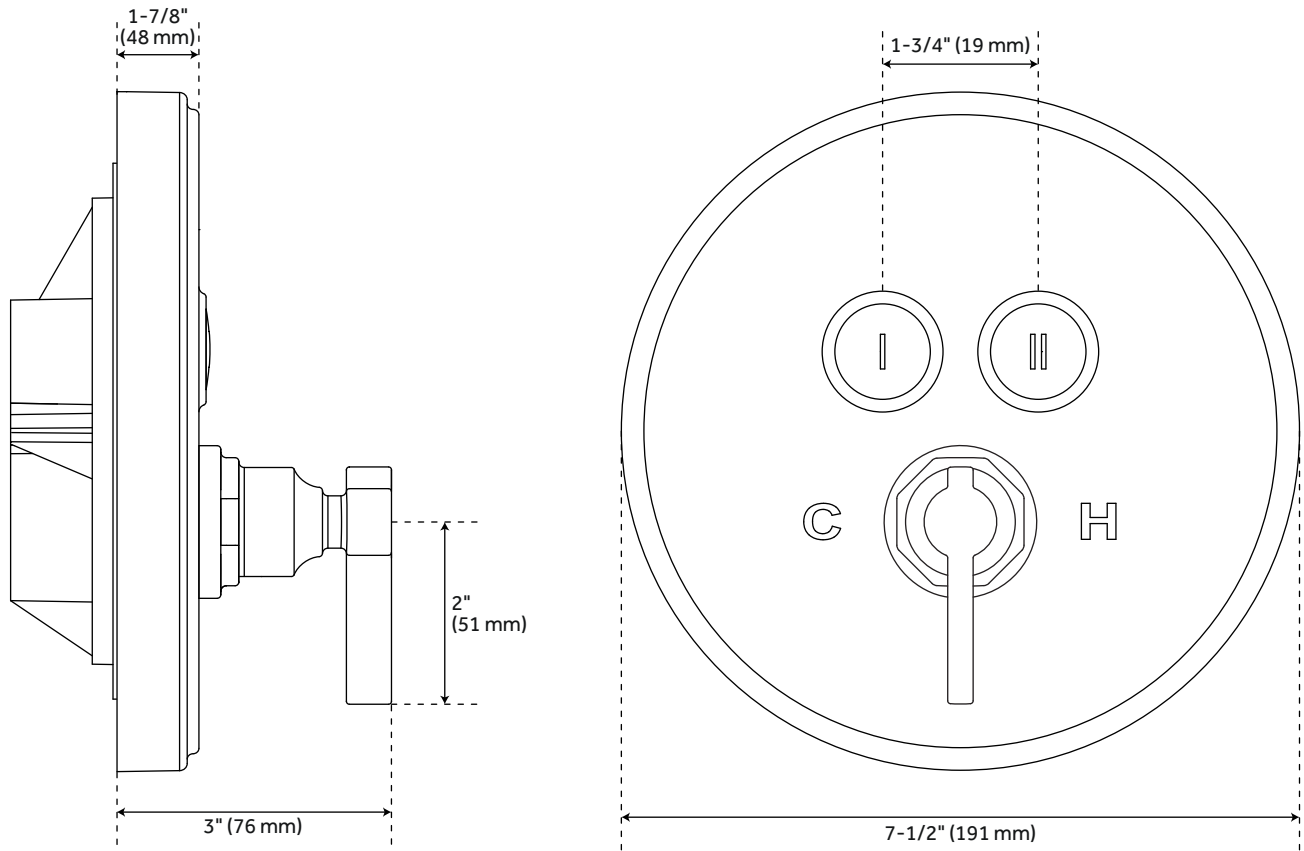
- Shape: Round
 - Handle Type: Lever
 - Features: Hand Shower Included, Pressure-Balanced
 - Assembly Required: Yes
 - Installation Type: Ceiling Mount
 - Mounting Hardware Included: Yes
 - Body Sprays: No
 - Shower Head Installation Type: Ceiling
 - Number of Shower Heads: 1
 - Shower Head Spray: Rainfall
 - Shower Arm Included: Yes
 - Shower Head Swivel: Yes
 - Water Connection Included: Yes
 - Diverter Included: Yes
 - Diverter Outlets: 2
 - Dual Functionality Allows for One or Both Shower Features to Run at a Time
 - Single Function Shower Heads: Full Spray
 - Easy-Clean Silicone Nozzles
 - 3-Function Hand Shower: Full Spray, Massage Spray, Full & Massage Spray
- Optional Rough-In Valve:**
- Pressure Balanced With Integral Stops
 - One-Piece Cartridge Design For Ease of Maintenance
 - Back-to-Back Capability
 - Adjustable Temperature Limit Stop
 - Quick Remove Plaster Guard
 - Easy Mounting Brackets
 - With Restrictor Installed, This Valve is Compliant With CALGreen and the California Plumbing Code

REVISED 03/18/2021

GREYFIELD

SIMPLE SELECT TRIM

SKU: 949734



FEATURES

- Material: Brass
- Diameter: 7-1/2"
- Depth: 3"
- Connection: 1/2" NPT

CODES/STANDARDS

- cUPC
- ASME A112.18.1/CSA B125.1
- ICC/ANSI A117.1 (when installed according to ADA standards)
- Massachusetts Accepted

PRODUCT IMAGE



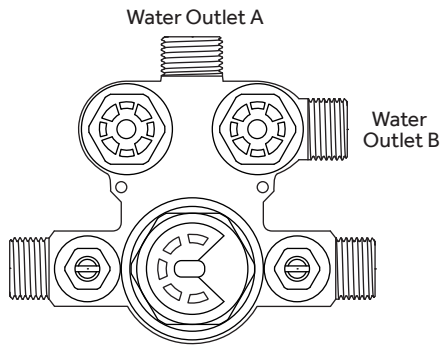
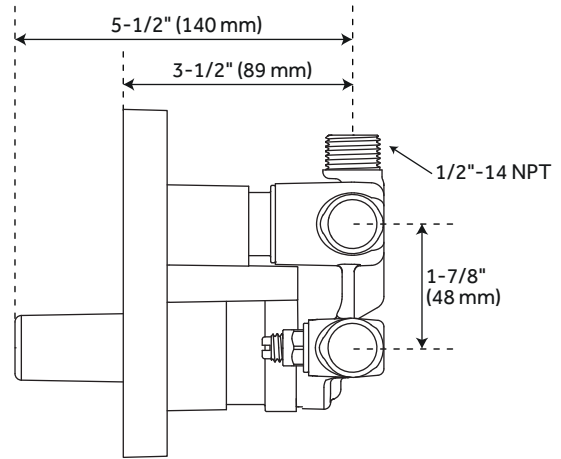
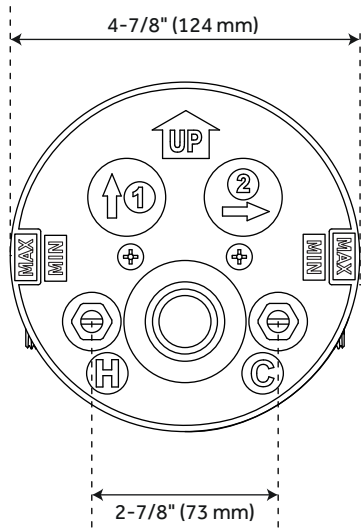
All dimensions and specifications are nominal and may vary. Use actual products for accuracy in critical situations.

PAGE 2
Code: SHGF8040Z

GREYFIELD

OPTIONAL PRESSURE BALANCE ROUGH-IN VALVE

SKU: 949734



STANDARD:

Pressure (psi)		20	40	60	80
Simultaneous (Both Valves Open)	Total (gpm)	3.4	5	6.3	7.4
	Outlet A (gpm)	1.2	2.2	2.9	3.5
	Outlet B (gpm)	2.2	2.8	3.4	3.9
Separate (A or B Closed)	Outlet A (gpm)	2.5	3.9	4.8	5.5
	Outlet B (gpm)	2.5	3.9	4.8	5.5

WITH FLOW RESTRICTOR:

Pressure (psi)		20	40	60	80
Simultaneous (Both Valves Open)	Total (gpm)	1.20	1.40	1.53	1.64
	Outlet A (gpm)	0.43	0.56	0.64	0.68
	Outlet B (gpm)	0.77	0.84	0.89	0.96
Separate (A or B Closed)	Outlet A (gpm)	1.17	1.38	1.49	1.59
	Outlet B (gpm)	1.16	1.39	1.49	1.60

FEATURES

- Material: Bronze
- Length: 4-7/8"
- Width: 4-3/8"
- Depth: 5-1/2"
- Connection: 1/2"-14 NPT

CODES/STANDARDS

- cUPC
- ASME A112.18.1/CSA B125.1
- ASSE 1016 Type P
- Massachusetts Accepted

PRODUCT IMAGE



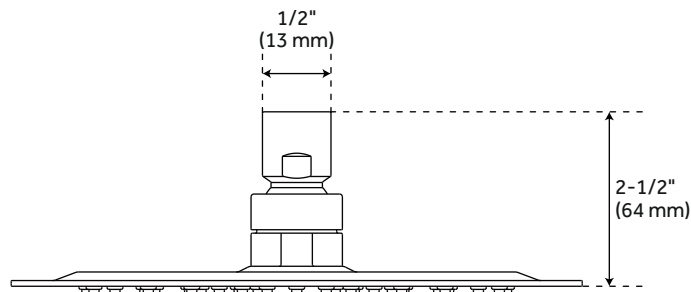
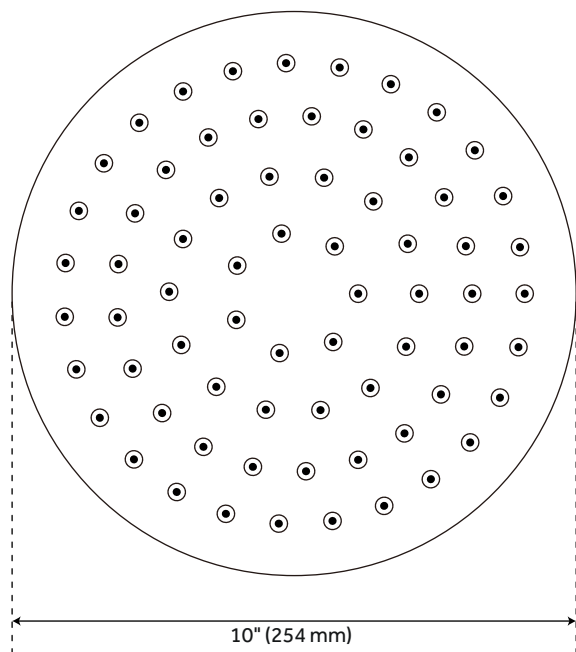
All dimensions and specifications are nominal and may vary. Use actual products for accuracy in critical situations.

PAGE 3
Code: SH5001SSG

GREYFIELD

LOW PROFILE RAINFALL SHOWER HEAD

SKU: 949734



FEATURES

Material: Stainless Steel
Diameter: 10"
Height: 2-1/2"
Connection: 1/2" IPS
Shower Head Flow Rate:
1.75 gpm (6.6 L/min) max @ 80 psi

CODES/STANDARDS

cCSAus
ASME A112.18.1/CSA B125.1
WaterSense
CEC Listed
Massachusetts Accepted

PRODUCT IMAGE



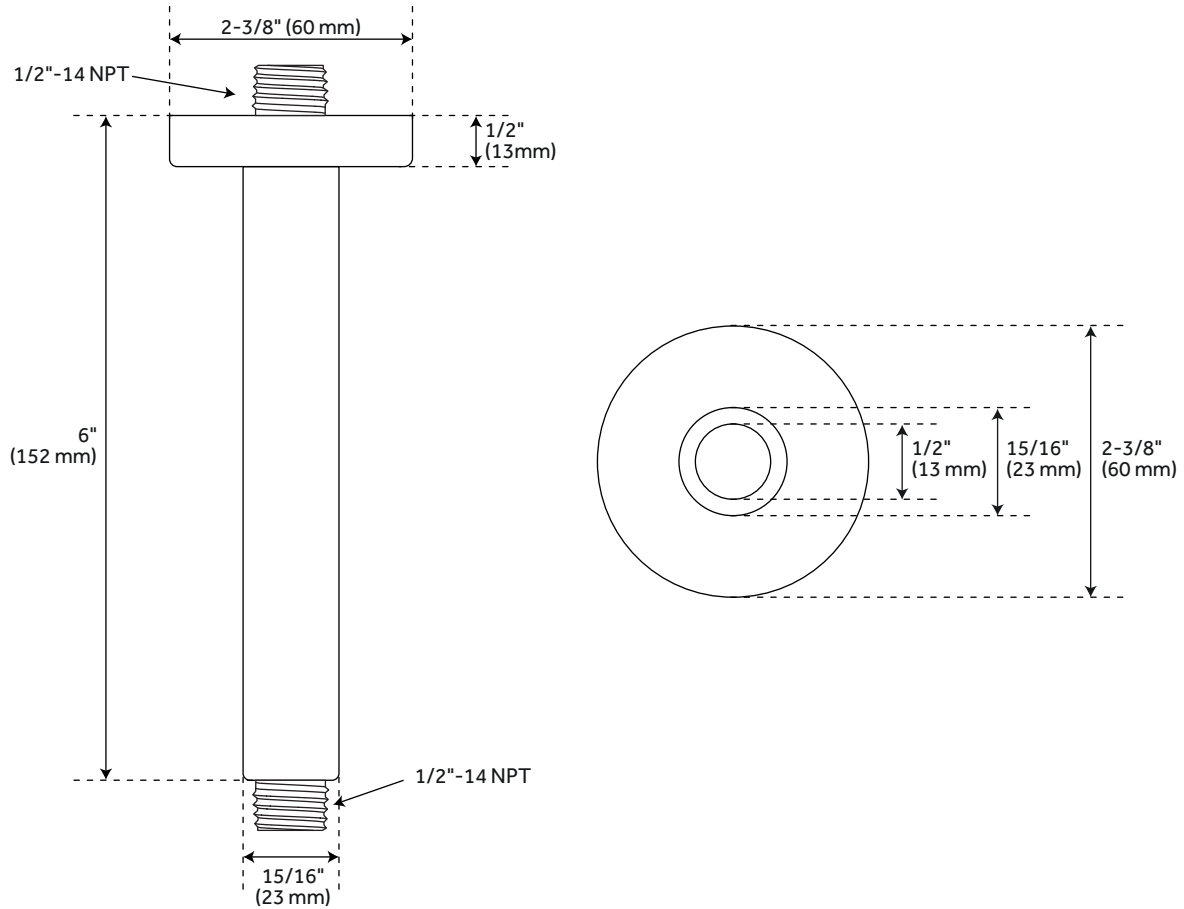
All dimensions and specifications are nominal and may vary. Use actual products for accuracy in critical situations.

PAGE 4
Code: SHRS1020RG

GREYFIELD

CEILING-MOUNT RAINFALL SHOWER ARM

SKU: 949734



FEATURES

Material: Brass
Shower Arm Extension: 6"
Base Plate Diameter: 2-3/8"
Escutcheon Included
Connection: 1/2" IPS

CODES/STANDARDS

cCSAus
ASME A112.18.1/CSA B125.1
Massachusetts Accepted

PRODUCT IMAGE



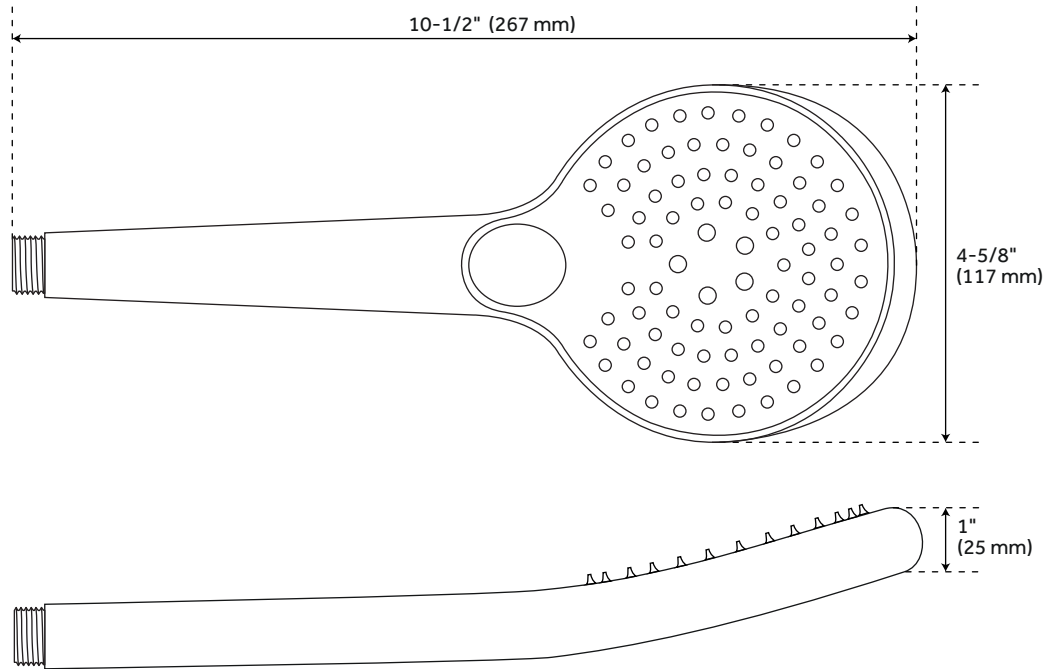
All dimensions and specifications are nominal and may vary. Use actual products for accuracy in critical situations.

PAGE 5
Code: SHRSC60

GREYFIELD

HAND SHOWER

SKU: 949734



FEATURES

Material: ABS
Length: 4-5/8"
Width: 1"
Height: 10-1/2"
Connection: 1/2" NPT
Hand Shower Flow Rate:
1.8 gpm (6.8 L/min) max @ 80 psi

CODES/STANDARDS

cCSAus
ASME A112.18.1/CSA B125.1
Massachusetts Accepted

PRODUCT IMAGE



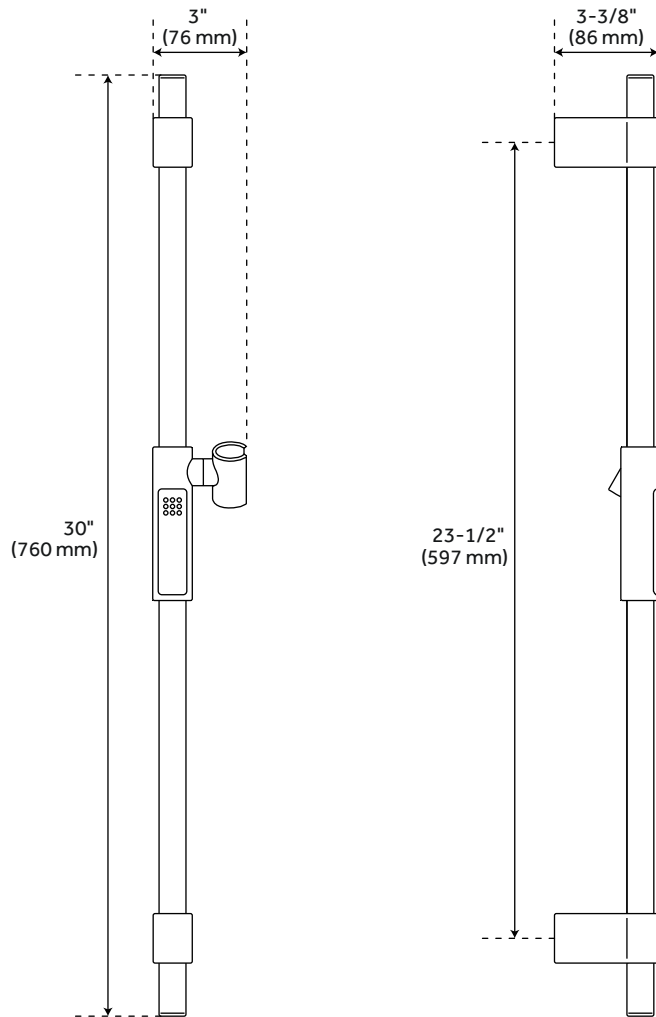
All dimensions and specifications are nominal and may vary. Use actual products for accuracy in critical situations.

PAGE 6
CODE: SHHS4120G

GREYFIELD

30" SLIDE BAR

SKU: 949734



FEATURES

- Length: 30"
- Width: 3-3/8"
- Height: 30"
- Base Plate Width: 3/4"
- Base Plate Height: 1-1/2"
- Slide bar outside diameter: 7/8"
- Mounting Centers: 23-1/2"

PRODUCT IMAGE



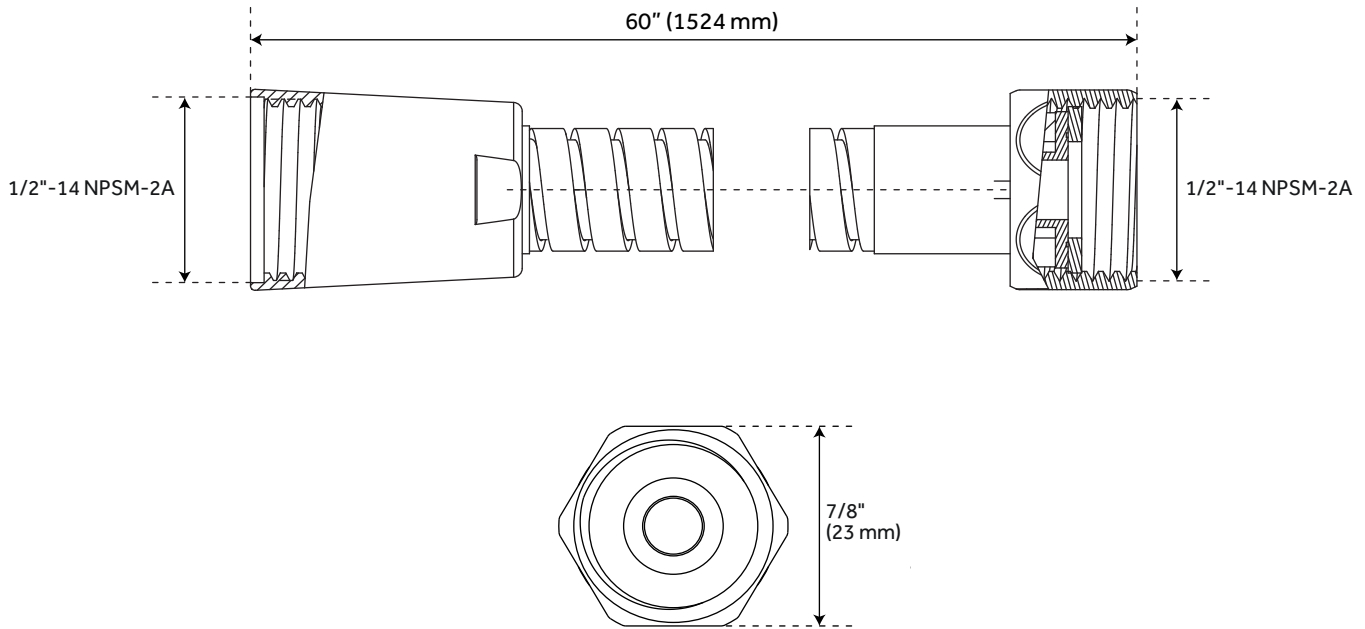
All dimensions and specifications are nominal and may vary. Use actual products for accuracy in critical situations.

PAGE 7
CODE: SHSB3050

GREYFIELD

METAL HOSE FOR HAND SHOWER

SKU: 949734



FEATURES

Length: 60"
Connection: 1/2" - 14 NPSM-2A
Double Spiral Construction
Metal Conical Nut

CODES/STANDARDS

cUPC
ASME A112.18.1/CSA B125.1
Massachusetts Accepted

PRODUCT IMAGE



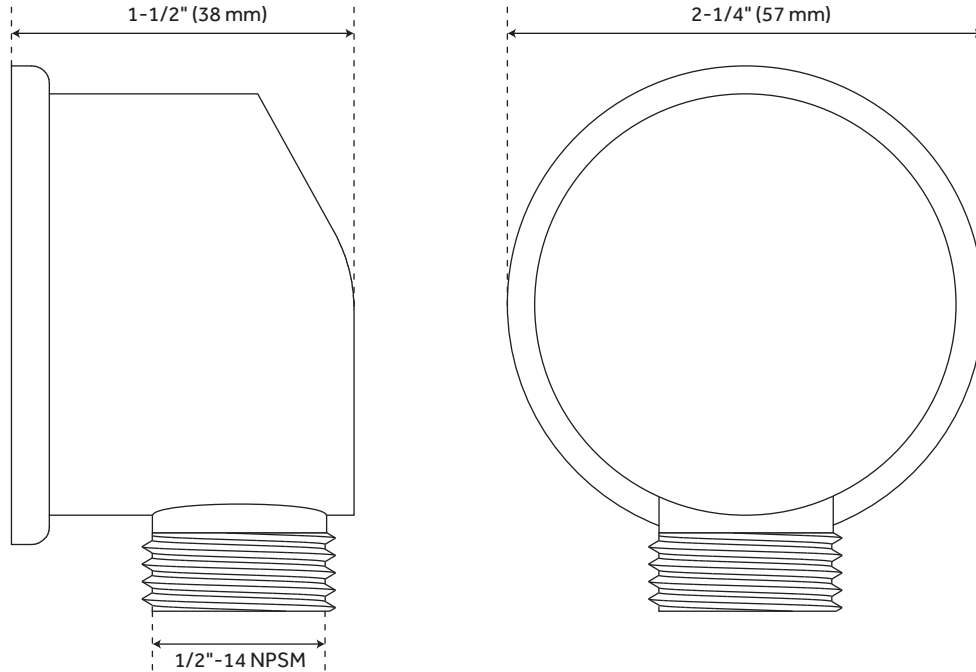
All dimensions and specifications are nominal and may vary. Use actual products for accuracy in critical situations.

PAGE 8
Code: SHH1010Z

GREYFIELD

ROUND WATER SUPPLY ELBOW FOR HAND SHOWER

SKU: 949734



FEATURES

Material: Brass
Length: 2-1/4"
Width: 1-1/2"
Height: 2-1/4"
Female Wall Connection: 1/2" NPT
Male Hose Connection: 1/2"-14NPSM

CODES/STANDARDS

cCSAus
ASME A112.18.1/CSA B125.1
Massachusetts Accepted

PRODUCT IMAGE



All dimensions and specifications are nominal and may vary. Use actual products for accuracy in critical situations.

PAGE 9
CODE: SHWE2060